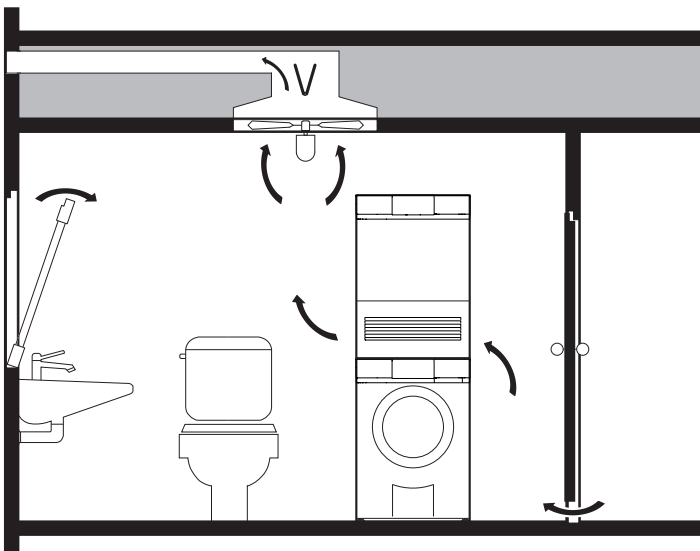
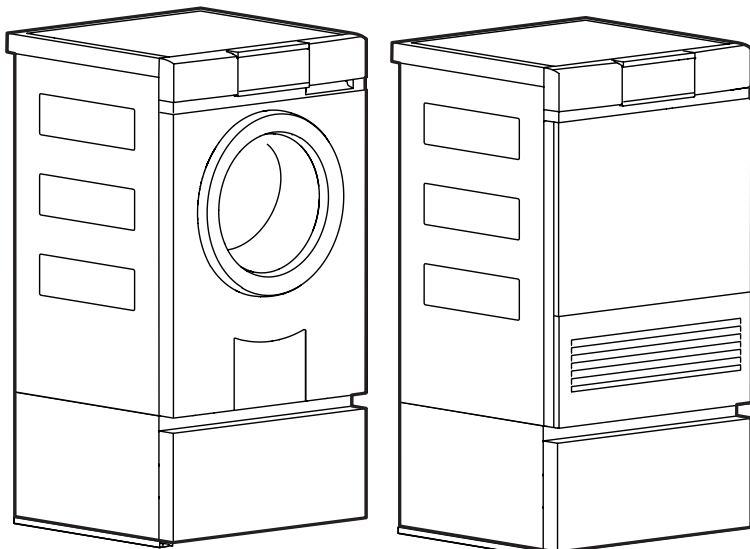
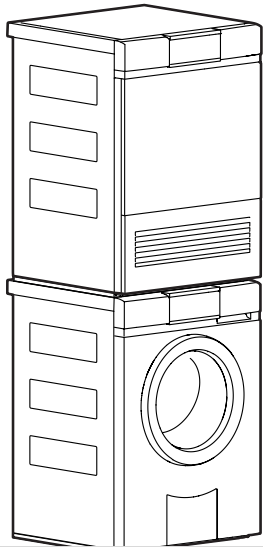


# Planning aid Laundry room appliances





## Note on content

### Please note

This planning aid is not to be used as installation instructions! The regulations and instructions binding for the appliance installation are to be obtained from the installation instructions packed with the appliances. The installation instructions can also be downloaded from the internet from [www.vzug.com/b2b](http://www.vzug.com/b2b).

### Modifications

Text, diagrams and data correspond to the technical standard of the appliances at the time this planning aid went to press. The right to make technical modifications for the purpose of the further development of the appliances is reserved.

### Symbols used



Denotes important safety precautions.

Failure to observe said precautions can result in injury or in damage to the appliance or fittings!

► Indicates an instruction.

• Indicates a list.



Information and precautions that should be observed.

### Supplementary documents

In this planning aid, occasional reference is made to supplementary documents which can be obtained from the Head Office in Zug, Tel. + 41 58 767 67 67 or on the internet from [www.vzug.com/b2b](http://www.vzug.com/b2b).

### Key to country groups

Country group	Country code (in accordance with ISO 3166)	Country group	Country code (in accordance with ISO 3166)
<b>A</b>	EU European Union TR Turkey IL Israel LB Lebanon	<b>D</b>	AU Australia NZ New Zealand
<b>B</b>	GB Great Britain HK Hong Kong SG Singapore	<b>E</b>	RU Russia UA Ukraine
<b>C</b>	NO Norway	<b>F</b>	CN China



**Contents**

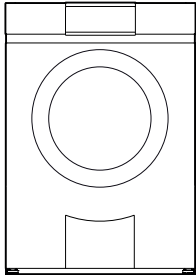
<b>1 Appliance overview</b>	<b>4</b>
1.1 Adora washing machines .....	4
1.2 Adora tumble dryers .....	4
1.3 Adora washer-dryer towers .....	4
1.4 Adora convenient storage drawer .....	5
<b>2 Electrical connections</b>	<b>6</b>
<b>3 Plumbing in</b>	<b>7</b>
3.1 General operating conditions .....	7
3.2 Washing machines .....	7
3.3 Tumble dryers .....	8
3.4 Connection to GEBERIT concealed drain-trap .....	9
<b>4 Washing machines</b>	<b>10</b>
4.1 Electrical connection data .....	10
4.2 Dimensions .....	10
4.3 Installation .....	11
4.4 Positioning .....	11
<b>5 Tumble dryers</b>	<b>13</b>
5.1 Electrical connection data .....	13
5.2 Dimensions .....	13
5.3 Installation .....	14
5.4 Positioning .....	15
<b>6 Adora washer-dryer towers</b>	<b>17</b>
<b>7 Adora convenient storage drawer</b>	<b>19</b>
7.1 Dimensions .....	19
<b>8 Accessories</b>	<b>20</b>
<b>9 Notes</b>	<b>21</b>



## 1 Appliance overview

This planning aid only applies to the appliances listed in this document with the corresponding product families (model numbers). Special documentation in German, French and Italian on how to install and operate the appliances is supplied with the appliances .

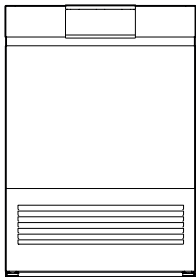
### 1.1 Adora washing machines



#### Front loader

Designation	Adora SLQ WP	Adora SLQ	Adora SL	Adora S	Adora L
Model	<b>11004</b>	<b>11006</b>	<b>11003</b>	<b>11002</b>	<b>11001</b>
Type	WAASLQWP	WAASLQ	WAASL	WAAS	WAAL

### 1.2 Adora tumble dryers

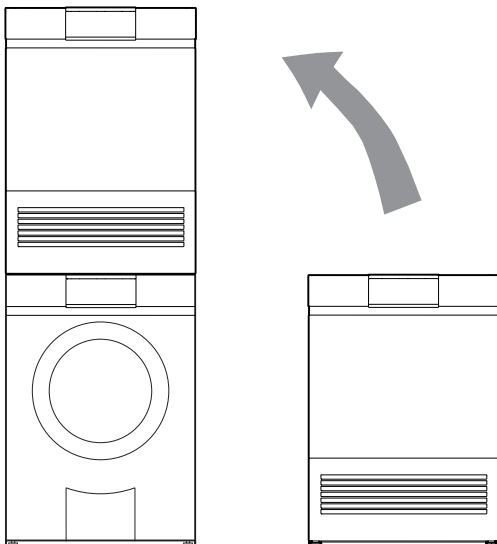


#### Condenser dryer with heat pump

Designation	Adora TSL WP	Adora TS WP	Adora TL WP
Model	<b>12003</b>	<b>12002</b>	<b>12001</b>
Type	WTATSLWP	WTATSWP	WTATLWP

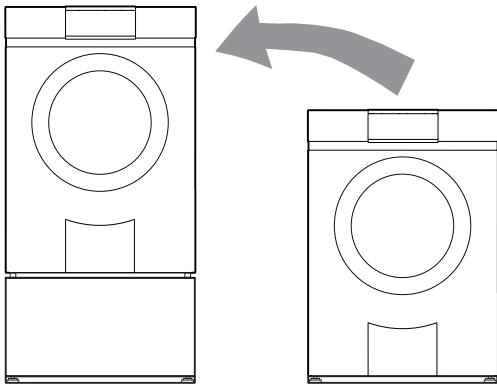
### 1.3 Adora washer-dryer towers

The Adora washing machines can be combined with the Adora tumble dryers to form a washer-dryer tower.



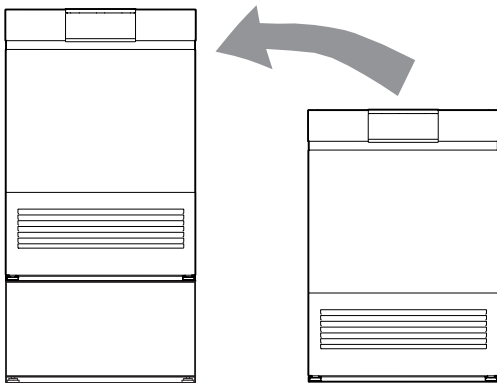
## 1.4 Adora convenient storage drawer

### With Adora washing machine



Installation accessories supplied with convenient storage drawer

### With Adora tumble dryer



Installation accessories supplied with convenient storage drawer



## 2 Electrical connections



Electrical connections are to be established by appropriately trained personnel.

### General operating conditions



You will find detailed information concerning electrical connection data at the beginning of the section.

Value	Nominal value	Minimum	Maximum
Voltage	230 V	198 V	254 V
Frequency	50 Hz sinusoidal	49 Hz sinusoidal	51 Hz sinusoidal

Short duration frequency variation in the mains:  $\pm 5\%$

Long duration frequency stability in the mains (for synchronous clocks):  $\pm 10$  ppm

- Protection type IP: IP-X4
- The appliance is designed for use up to a max. altitude of 2000 m above sea level.

### 3 Plumbing in

#### 3.1 General operating conditions

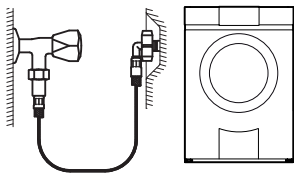
Value		Nominal value	Minimum	Maximum
Mains pressure (0.1 MPa = 1 bar)	static	0.3 MPa	0.1 MPa	1.0 MPa
	flowing	–	0.08 MPa	1.0 MPa
Water hardness*		–	0.5 °fH	50 °fH
Water inlet temperature	cold water	–	5 °C	35 °C
	hot water (option)	–	40 °C	60 °C
Water supply pipeline		G <sup>3/4</sup> "	–	–
Drainage cross-section		ø internal 57 mm (on-site)	ø internal min. 19 mm	–

\* For special cases with a water hardness in excess of 50 °fH, an external water softener is recommended.

#### 3.2 Washing machines

Comply with the regulations laid down by your local water supply authority for the layout of the supply pipe and drainage.

##### Water inlet



##### Appliance

Adora SLQ WP, SLQ, SL, S, L

##### Hose

Inlet hose with Aqua-Stop

##### Length

1.25 m

##### Connection

G<sup>3/4</sup>"

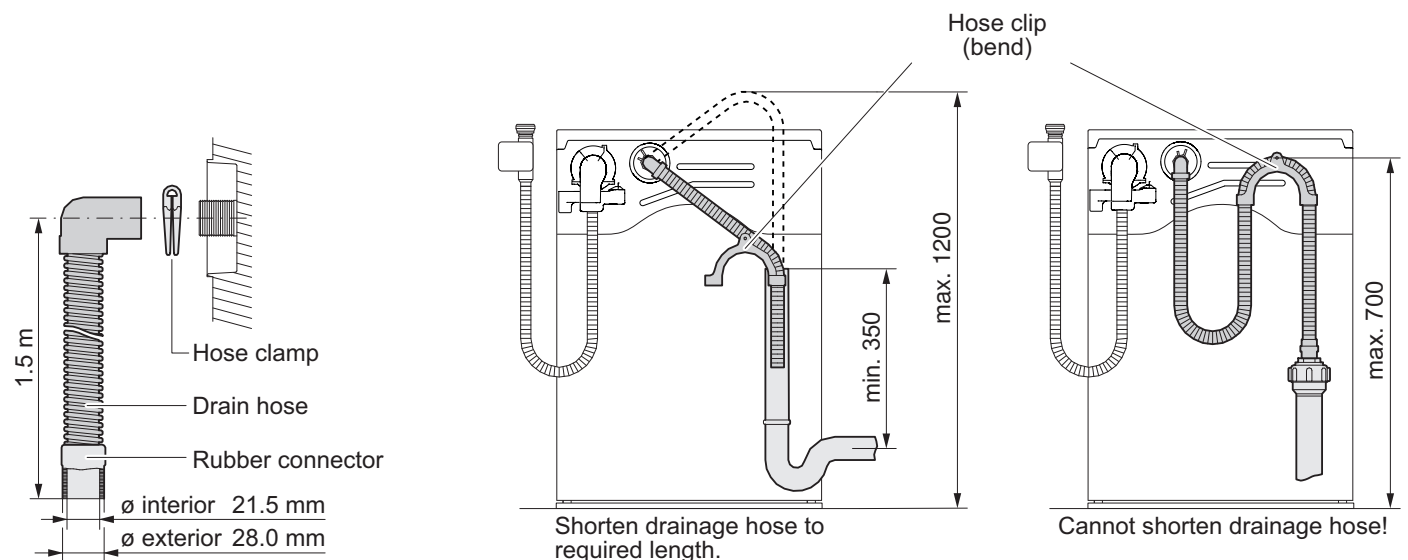
Cold water only G<sup>3/4</sup>", optimal working pressure 0.3 MPa (3 bar).

Possible pressure range: 0.1–1.0 MPa (1–10 bar).

Connection to a mixer tap or a continuous flow heater is not permitted!

##### Water outlet

- Pumping height for drain pump, max. 1.2 m from the floor

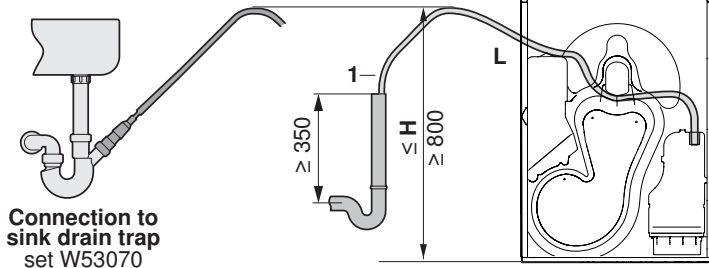


Appliance	Hose	Length	Connection
Adora SLQ WP, SLQ, SL, S, L	Corrugated plastic hose	1.5 m	ø internal 21.5 mm

3

### 3.3 Tumble dryers

#### Direct drainage with transition piece



Connection to sink drain trap set W53070

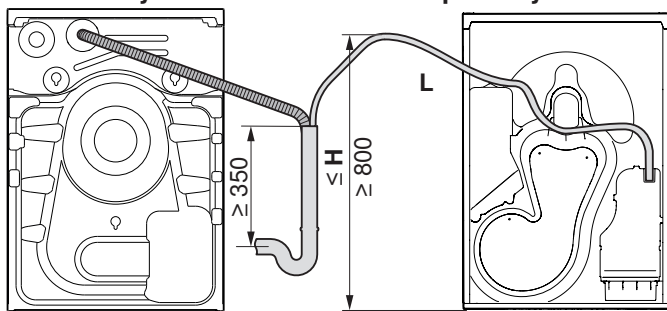
#### 1 Condensate drain kit W56298 (series standard)

Tumble dryer Adora TSL WP, TS WP, TL WP

Pumping height **H** for drain pump: max. 1.2 m from floor

Hose length **L** from pump to **H**: max. 1.5 m (backflow volume)

#### Washer-dryer combination with separately routed drainage pipe



Tumble dryer Adora TSL WP, TS WP, TL WP

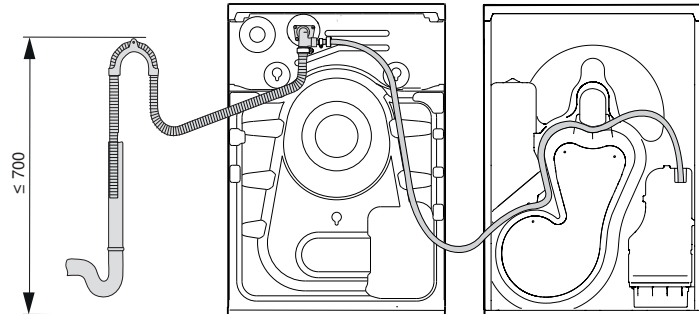
Washing machine Adora SLQ WP, SLQ, SL, S, L

Fix end of hose by means of elbow

► Pumping height **H** for drain pump: max. 1.2 m from floor

Hose length **L** from pump to **H**: max. 1.5 m (backflow volume)

#### Washer-dryer combination installed side by side with combi drainage set



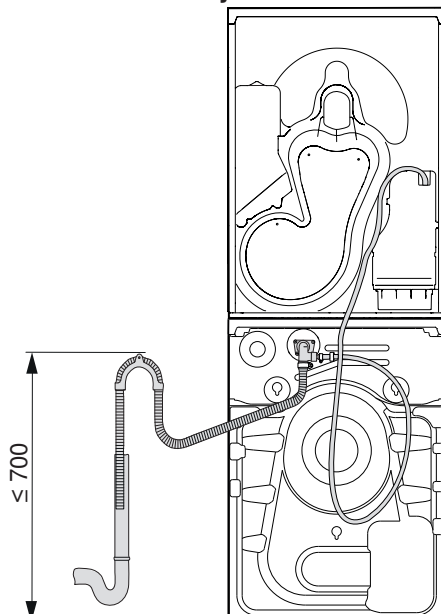
#### 2 Combi drainage set W55969 (accessories)

Tumble dryer Adora TSL WP, TS WP, TL WP

Washing machine Adora SLQ WP, SLQ, SL, S, L

► Fix end of hose by means of elbow

#### Adora washer-dryer tower with combi drainage set



#### 2 Combi drainage set W55969 (accessories)

Tumble dryer Adora TSL WP, TS WP, TL WP

Washing machine Adora SLQ WP, SLQ, SL, S, L

► Fix end of hose by means of elbow



### 3.4 Connection to GEBERIT concealed drain-trap

The following details refer to the GEBERIT documentation current at the time this planning aid went to press. V-ZUG does not supply or install concealed drain-traps. There must be a separate concealed drain-trap for each appliance. Unused connections to the concealed drain-trap must be sealed off.



When using only one concealed drain-trap the water flows out of the washing machine into the tumble dryer.

#### **Tumble dryer with combi drainage set**

The combi drainage set permits the water outlet of a washing machine and a tumble dryer into one water outlet (concealed drain-trap). The water from the tumble dryer is pumped with the pump into the water outlet of the washing machine. A non-return flap valve is located in the water outlet.

#### **Tumble dryer without combi drainage set**

If an Adora tumble dryer is combined with the appropriate washing machine in a washer-dryer tower, the following concealed drain-trap can be used: drain-trap GEBERIT UP (GEBERIT art. no. 152.237.00.1) with additional  $\varnothing$  10 mm hose nozzle for connecting the tumble dryer.

#### **Washing machine and tumble dryer installed side by side**

If a tumble dryer is installed side by side with the appropriate washing machine, two of the following concealed drain-traps must be used: drain-trap GEBERIT UP (GEBERIT art. no. 152.236.00.1).



If there is only one concealed drain-trap, the combi drainage set can, exceptionally, be mounted.

## 4 Washing machines

### 4.1 Electrical connection data

Appliance	Country group *	Mains connection	Rated load	Fuse	Mains cable
Adora SLQ WP	A, C	230 V~ 50 Hz	3600 W	16 A	with plug
	B, E	230 V~ 50 Hz	2300 W	10 A	
	D, F	220-240 V~ 50 Hz	2300 W	10 A	
Adora SLQ	A, C	230 V~ 50 Hz	3500 W	16 A	with plug
	B, E	230 V~ 50 Hz	2300 W	10 A	
	D, F	220-240 V~ 50 Hz	2300 W	10 A	
Adora SL	A, C	230 V~ 50 Hz	3500 W	16 A	with plug
	B, E	230 V~ 50 Hz	2300 W	10 A	
	D, F	220-240 V~ 50 Hz	2300 W	10 A	
Adora S	A, B, C, E	230 V~ 50 Hz	2300 W	10 A	with plug
	D, F	220-240 V~ 50 Hz	2300 W	10 A	
Adora L	A, B, C, E	230 V~ 50 Hz	2300 W	10 A	with plug
	D, F	220-240 V~ 50 Hz	2300 W	10 A	

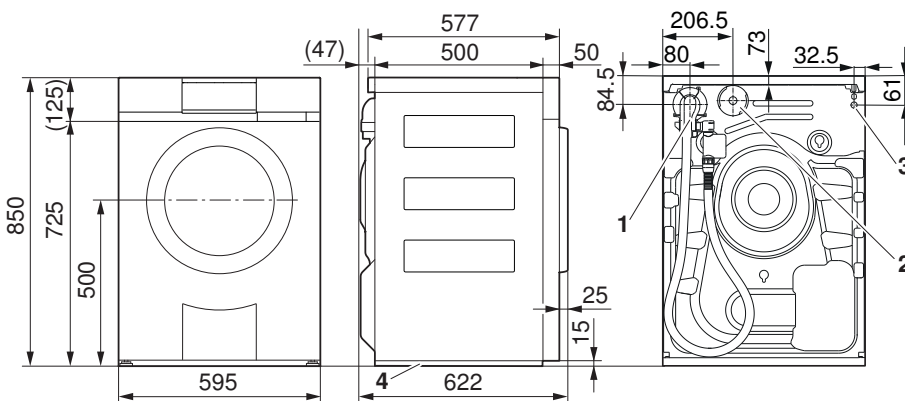
\* Key [→ see page 2]

### 4.2 Dimensions



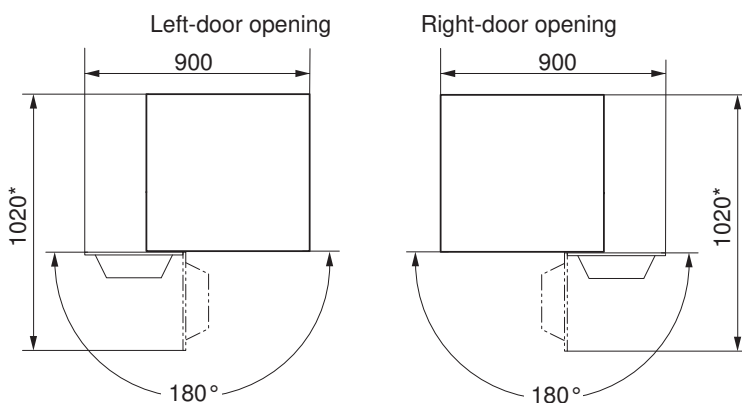
The stated dimensions do not include distances from walls. To prevent disturbing noise and vibration the appliances must not come into contact with the surrounding walls of their installation location.

#### Adora SLQ WP (11004), Adora SLQ (11006), Adora SL (11003), Adora S (11002), Adora L (11001)



- 1 Cold water connection; inlet hose with Aqua-Stop, length: 1.25 m, G $\frac{3}{4}$ "
- 2 Drainage hose connection with elbow, length: 1.5 m; pumping height for drain pump: 1.2 m
- 3 Electrical connection cable outlet, length: 1.8 m;
- 4 Installation plate

\* In order that the detergent dispenser drawer can be used freely and be taken out for cleaning, the clearance space must be observed across the whole front of the appliance.



## 4.3 Installation

### General condition

All Adora appliances must be mounted on the installation plate supplied; only in this case is problem-free operation guaranteed. The appliances can be levelled by means of adjustable feet.



The appliance actively balances unbalanced loads during spinning. To ensure problem-free operation, no soft, sound insulating underlay such as the Adorina WM ISO set may be used.

### Room temperature

Permissible room temperature: 5 °C to 35 °C

## 4.4 Positioning



To prevent disturbing noise and vibration the appliances must not come into contact with the surrounding walls of their installation location. It is imperative to comply with the supplied installation instructions for positioning the appliances.

- ▶ The appliance must be horizontal and stable. Check with a spirit level.
- ▶ The appliance must not "wobble" in the case of a crosswise load.

## Installation plate (W40653)



The installation plates for the washing machine and tumble dryer are the same.

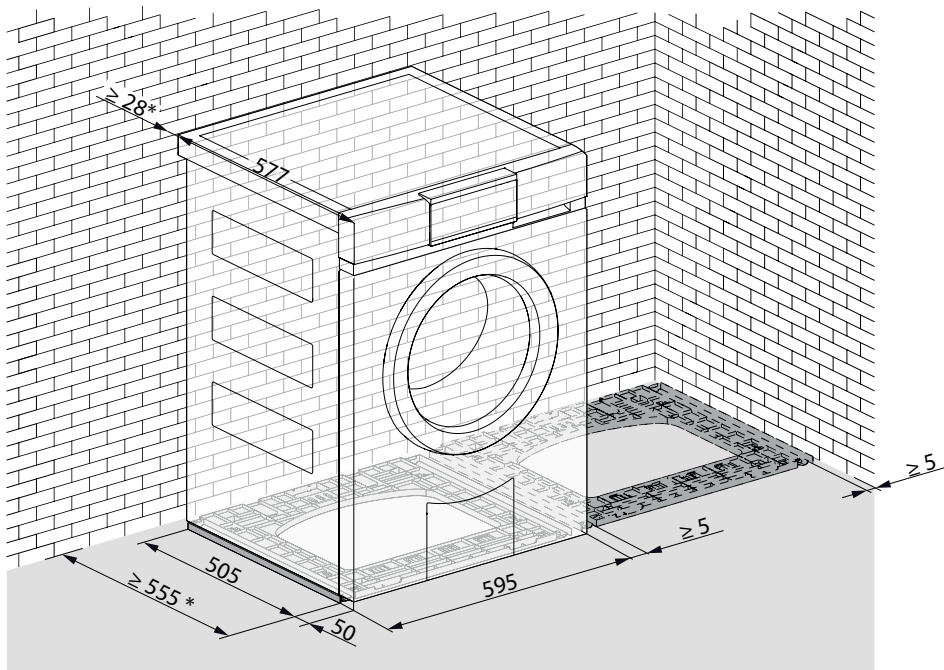
The installation plate is used as an installation aid and its use is obligatory. It can be fixed to the floor with double-sided adhesive tape or can be screwed.

If a room has underfloor heating the installation plate may only be adhered. The fixing material is included in the scope of delivery.

### Free-standing position



If a tumble dryer and a washing machine are positioned side by side, keep a distance of min. 5 mm and 28 mm respectively between the installation plates and to the walls.

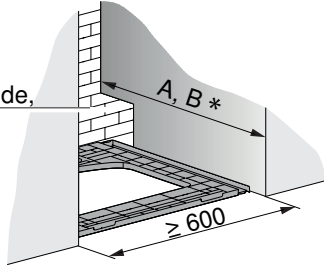


\* This only applies if no plumbing fittings are to be installed behind the appliance.

**Positioning in a niche**

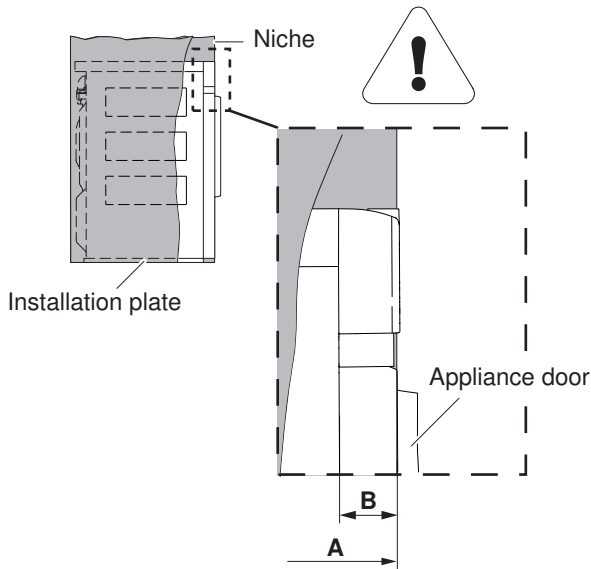
► Centre the installation plate in the niche.

Cut-out for lateral connections,  
 to the left or right side,  
 min. 100 × 100 mm  
 Niche height  
 min. 860 mm!

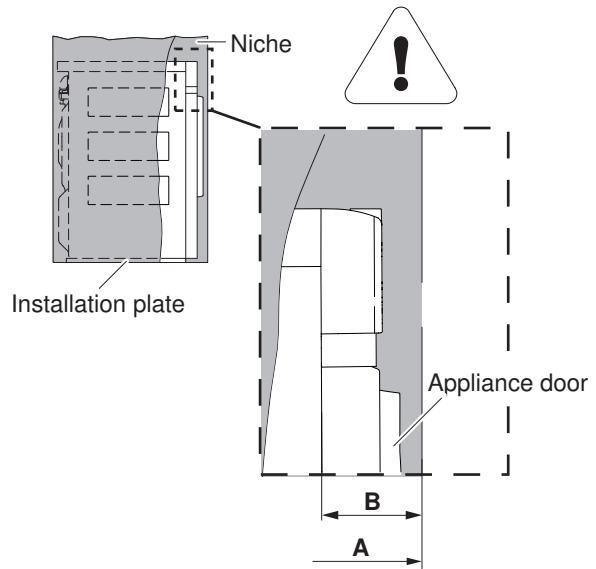


Variant	Positioning	Niche depth <b>A</b>	Installation offset for installation plate <b>B</b>
1	Door of washing machine projecting from niche front	min. 605 mm	50 mm
2	Door of washing machine recessed behind niche front	min. 630 mm	80 mm

**Variant 1**



**Variant 2**



## 5 Tumble dryers

The following tumble dryers are condenser dryers with a heat pump. The process circuit of the heat pump dryer is completely closed. The hot humid air is cooled and condensed in the 1st heat exchanger and then re-heated in the 2nd heat exchanger.

The heat pump dryer has roughly half the energy consumption of conventional tumble dryers, a higher air flow rate and a lower drying temperature. This results in particularly gentle drying, especially suitable for heat-sensitive textiles such as synthetics and blended fabric. The heat pump dryers satisfy the stringent requirements of the Minergy (minimum energy) standard.

### 5.1 Electrical connection data

Appliance	Country group *	Mains connection	Rated load	Fuse	Mains cable
Adora TSL WP	A, B, C, E	230 V~ 50 Hz	1350 W	10 A	with plug
	D, F	220-240 V~ 50 Hz	1350 W	10 A	
Adora TS WP	A, B, C, E	230 V~ 50 Hz	1300 W	10 A	with plug
	D, F	220-240 V~ 50 Hz	1300 W	10 A	
Adora TL WP	A, B, C, E	230 V~ 50 Hz	1300 W	10 A	with plug
	D, F	220-240 V~ 50 Hz	1300 W	10 A	

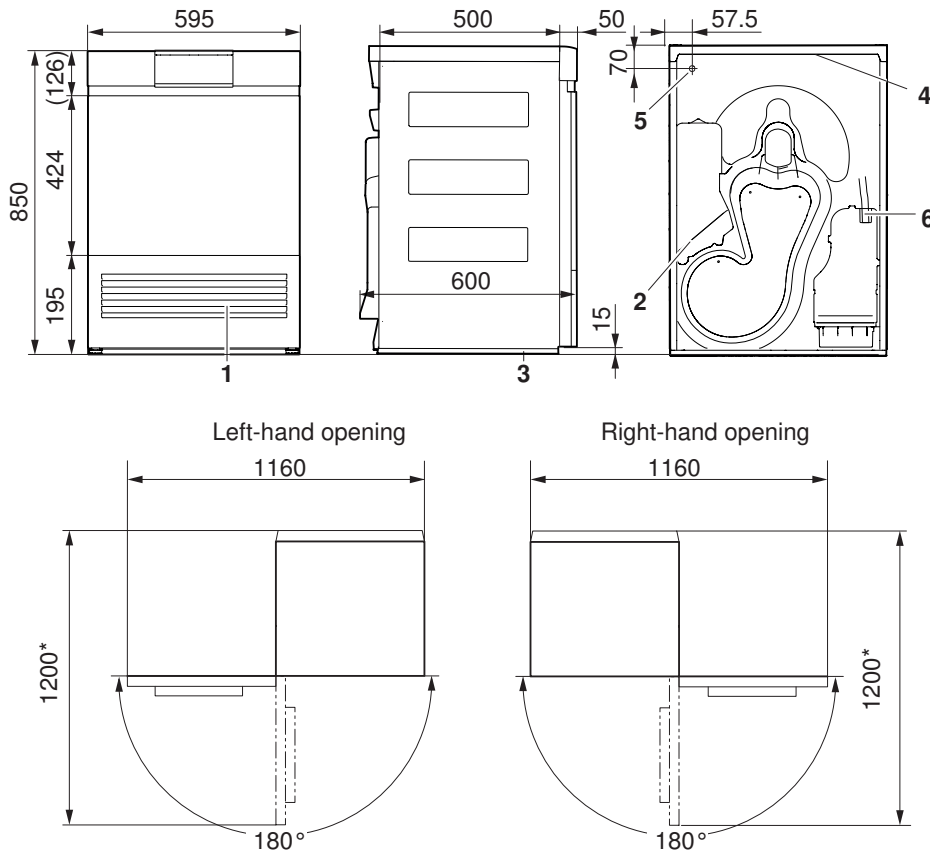
\* Key [→ see page 2]

### 5.2 Dimensions



The stated dimensions do not include distances from walls. To prevent disturbing noise and vibration the appliances must not come into contact with the surrounding walls of their installation location.

#### Adora TSL WP (12003), Adora TS WP (12002), Adora TL WP (12001)



- 1 Cooling air inlet
- 2 Cooling air outlet
- 3 Installation plate
- 4 Tower panel
- 5 Electrical connection cable outlet, length: 1.8 m, with plug
- 6 Condensate drainage; drainage connector: ø 10.5 mm; pumping height for drain pump: 1.2 m; Condensate drain kit, length: 2 m

\* Clearance space across the whole width of the front

## 5.3 Installation

### General condition



To prevent an impermissible rise in temperature and humidity, the room must be min. 20m<sup>3</sup>, or sufficiently large inlet and outlet openings to an adjacent room or to the outside must be available (open windows, ventilation grilles or slots in the door, ventilation systems). On the other hand there is the possibility of using the waste heat.

Normal bathroom extractor fans are not adequate for optimal room ventilation. They switch off with the light after a preset after-running time.

Through the heat recovery of the heat pump dryer, heat dissipation is greatly reduced resulting in the imposition of far fewer demands on the installation room. Heat pump dryers affect their environment like a heater blower with a heat output of approx. 700W.

All Adora appliances must be mounted on the installation plate supplied; only in this case is problem-free operation guaranteed.

The appliances can be levelled by means of adjustable feet. The room must be kept free of dust and fluff.

### Room climate and ventilation

#### Room temperature

Permissible room temperature: 5 °C to 35 °C

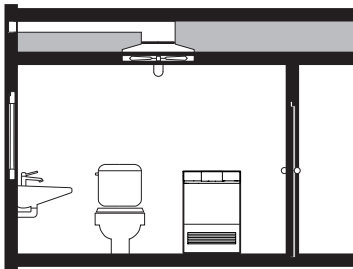


The room temperature should be kept as low as possible to ensure the economic running of the appliance. Critical is a room temperature of 35 °C and over. This prolongs the duration of the programmes. High temperatures can also result in error messages and impair the service life of the appliance.

#### Ventilation

As a general rule, rooms containing a heat pump dryer must be ventilated as these produce some humidity. For each heat pump dryer, the passage of exhaust and intake air must be guaranteed. EXHAUST AIR requires INTAKE AIR. At least the same amount of air must be supplied to as is being extracted from the room. If the room is kept closed, the installation room volume must be min. 20 m<sup>3</sup>.

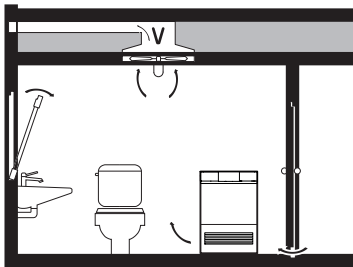
### Ventilation concepts



Installation room volume min. 20 m<sup>3</sup>, room kept closed:

Condensation may form on thermal bridges!

The room must be aired (by opening the door to or a window in the room) between consecutive drying programmes!



Installation room volume < 20 m<sup>3</sup>:

There must be air inlet and outlet openings (open window, ventilation grille or slits in the door, ventilation system) to the adjacent room or to the outside.

Operation is trouble-free with an air circulation rate from 15 m<sup>3</sup>/h.

Smaller rooms such as storage rooms, toilets and showers are not suitable for the installation of a tumble dryer.

An exhaust air ventilator can be controlled from the tumble dryer via the corresponding auxiliary module. In case of doubt, have the chosen arrangement checked out by a ventilation engineer.

## 5.4 Positioning



To prevent disturbing noise and vibration the appliances must not come into contact with the surrounding walls of their installation location. It is imperative to comply with the supplied installation instructions for positioning the appliances.

- ▶ The appliance must be horizontal and stable. Check with a spirit level.
- ▶ The appliance must not "wobble" in the case of a crosswise load.

### Installation plate (W40653)



The installation plates for the washing machine and tumble dryer are the same.

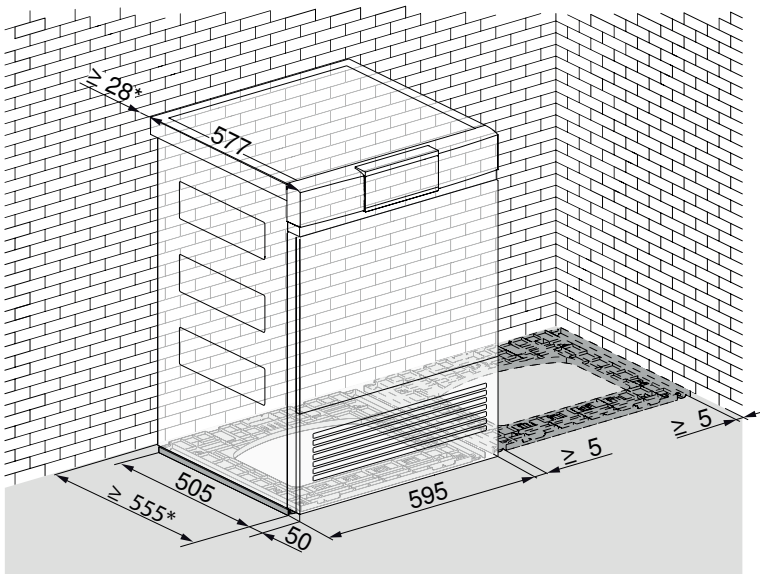
The installation plate is used as an installation aid and its use is obligatory. It can be fixed to the floor with double-sided adhesive tape or can be screwed.

If a room has underfloor heating the installation plate may only be adhered. The fixing material is included in the scope of delivery.

### Free-standing position



If a tumble dryer and a washing machine are positioned side by side, keep a distance of min. 5 mm and 28 mm respectively between the installation plates and to the walls.



\* This only applies if no plumbing fittings are to be installed behind the appliance.

**Positioning in a niche**



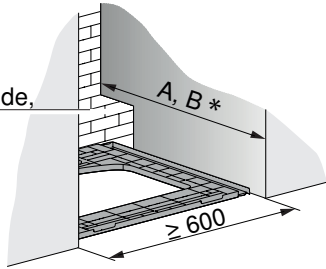
If a tumble dryer is installed in a niche, a 130° door stop (article no. W54086) must be provided.



Do not install the appliance behind a door that locks, a sliding door or a door with a hinge that lies opposite the hinge of the appliance.

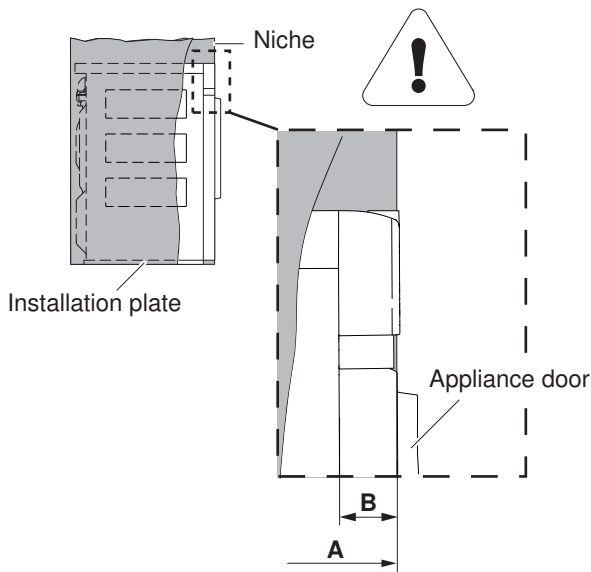
► Centre the installation plate in the niche.

Cut-out for lateral connections, to the left or right side, min. 100 × 100 mm  
 Niche height min. 860 mm!

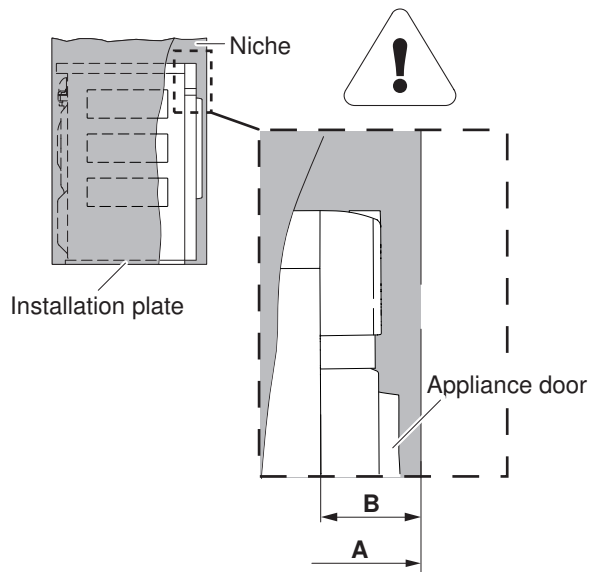


Variant	Positioning	Niche depth <b>A</b>	Installation offset for installation plate <b>B</b>
1	Door of washing machine projecting from niche front	min. 605 mm	50 mm
2	Door of washing machine recessed behind niche front	min. 630 mm	80 mm

**Variant 1**



**Variant 2**



The heat given off from the rear of the appliance must be conducted out of the niche. By means of 2 ventilation grilles P33002 or a ventilation cut-out of min. 400 cm<sup>2</sup> in the niche cover ensure there is a supply of fresh air via the connection opening.



The condensed water hose must not be crushed between the rear of the appliance and the building wall.



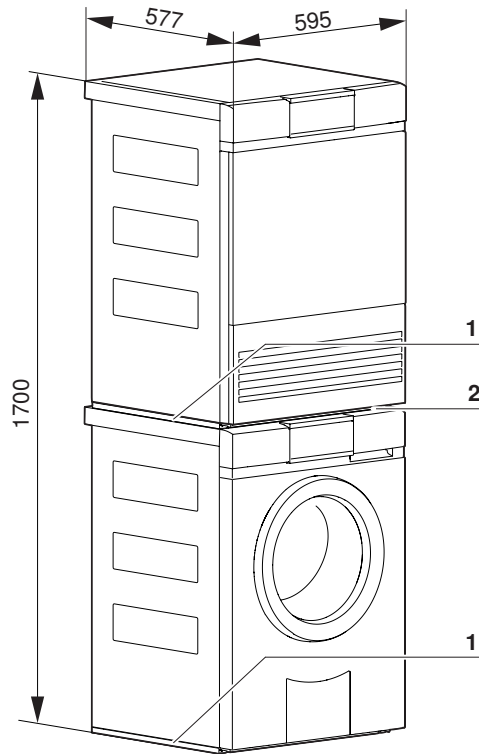
## 6 Adora washer-dryer towers



For safety reasons, tumble dryers standing upon washing machines are never to be mounted and operated without the associated installation plate.

Disconnection points must be provided for the water supply and electrical connection, which must be capable of being actuated without moving the appliances.

### Free-standing in room



- 1 Installation plate
- 2 Tower panel (when delivered mounted at the back of the tumble dryer on the cover plate)

## Installation in a niche



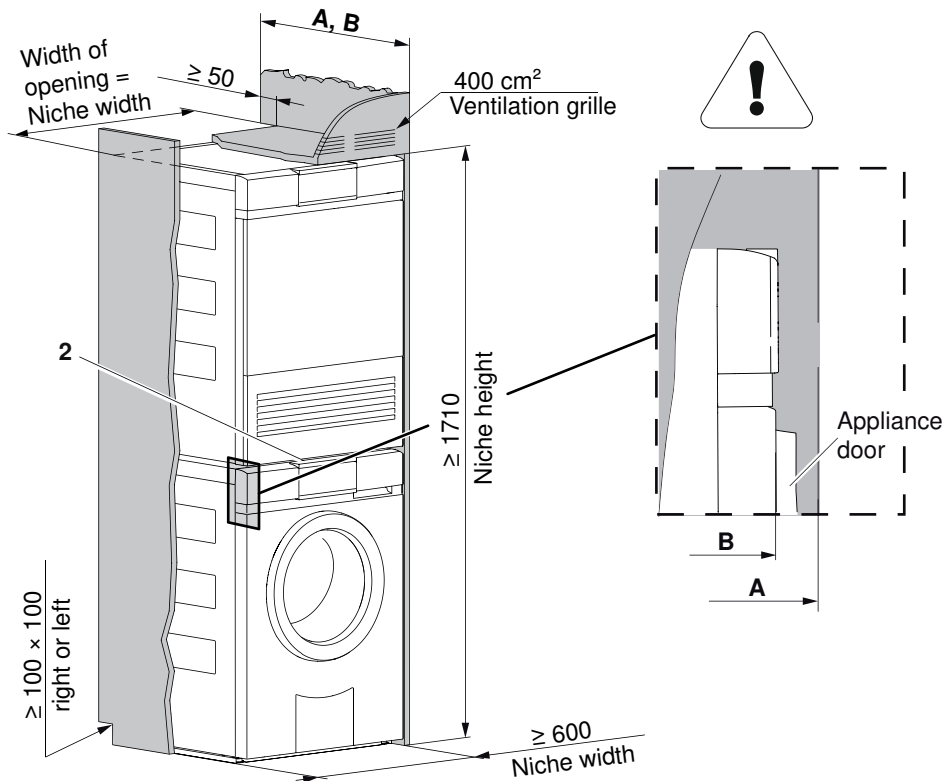
If a tumble dryer is installed in a niche, a 130° door stop must be provided (article no. W54086).



Do not install the appliance behind a door that locks, a sliding door or a door with a hinge that lies opposite the hinge of the appliance.



The heat given off from the rear of the appliance must be conducted out of the niche from above. Mount ventilation grilles over the niche and ensure there is a supply of fresh air via the connection opening.



<b>A</b>	Niche depth inclusive projecting appliance door:	min. 630 mm
<b>B</b>	Niche depth without appliance door:	min. 605 mm

## Room climate and ventilation

### Room temperature

Permissible room temperature:

Tower with tumble dryer: 5 °C to 35 °C



The room temperature should be kept as low as possible to ensure the economic running of the appliance. Critical is a room temperature of 35°C and over. This prolongs the duration of the programmes. High temperatures can also result in error messages and impair the service life of the appliance.

### Ventilation

Refer to the section on the relevant tumble dryer.

Installation instructions, room climate and ventilation.

## 7 Adora convenient storage drawer



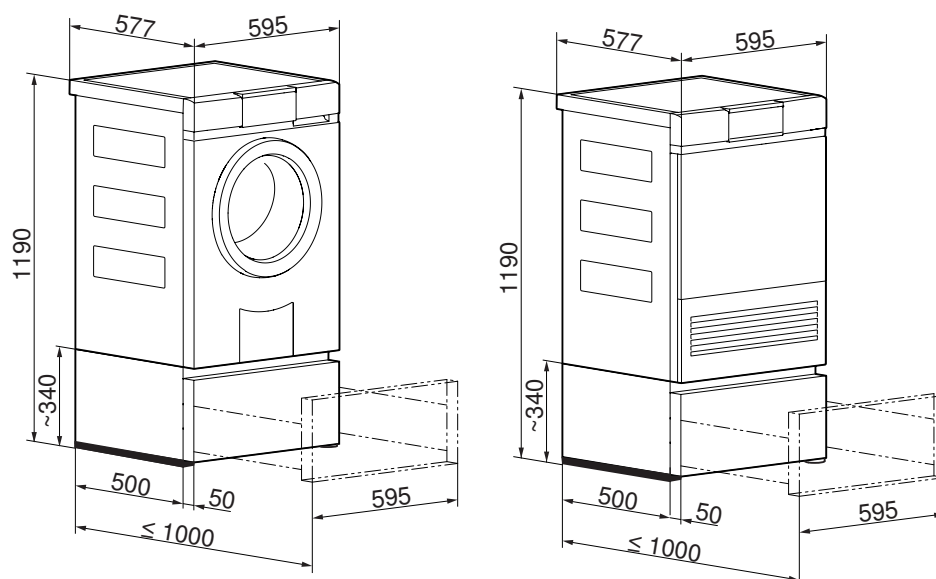
Do not stand a washer-dryer tower on a convenient storage drawer.

An Adora convenient storage drawer – by raising the height of the tumble dryer or washing machine – makes for comfortable use of the appliance. The drawer can also be used for storing washing detergent, accessories, etc.

### 7.1 Dimensions



The stated dimensions do not include distances from walls. To prevent disturbing noise and vibration the appliances must not come into contact with the surrounding walls of their installation location.



The installation plate must be screwed to the floor.

**8 Accessories**

<b>Designation</b>	<b>Article number</b>	<b>Model</b>
<b>Washing machines / tumble dryers</b>		
Convenient storage drawer	W3.1357	Adora
<b>Washing machines</b>		
Drain hose set, 4 m (can be shortened)	W3.3543	Adora SLQ, SLQ WP, SL, S, L
Aqua-Stop hose, 3m, with volume flow switch *	W3.1427	Adora SLQ, SLQ WP, SL, S, L
* Has to be installed by Customer Services		
<b>Tumble dryers</b>		
Combi drainage set	W5.5969	Adora TSL WP, TS WP, TL WP
Condensate drain kit	W5.6298	Adora TSL WP, TS WP, TL WP
Backflow preventer	W5.0028	Adora TSL WP, TS WP, TL WP
Drying basket set	W5.5884	Adora TSL WP, TS WP, TL WP
Tower panel (included in the scope of delivery)	W5.5687	Adora TSL WP, TS WP, TL WP
130 ° door stop for niche installation	W5.4086	Adora TSL WP, TS WP, TL WP



---

## 9 Notes



## V-ZUG Ltd

Industriestrasse 66, P.O. Box 59, 6301 Zug  
Tel. +41 58 767 67 67, Fax +41 58 767 61 61  
info@vzug.ch, www.vzug.com

## Planning aid Laundry room appliances

J001.062-7

18.07.14



# V-ZUG Ltd – in the centre of Europe, in the heart of Switzerland

## Welcome!

V-ZUG Ltd  
Industriestrasse 66  
P.O. Box 59  
6301 Zug, Switzerland  
Tel. +41 58 767 67 78  
[service-support@vzug.ch](mailto:service-support@vzug.ch)  
[www.vzug.com](http://www.vzug.com)



The Swiss Leader