

## Installation instructions

Induction hob  
CookTop V4000 I604 | I804



1146992-03

24/02/2023


 **The appliance should be installed by qualified personnel only. Each step must be carried out and checked in full in the order specified.**

### Validity

These installation instructions apply to the following models:

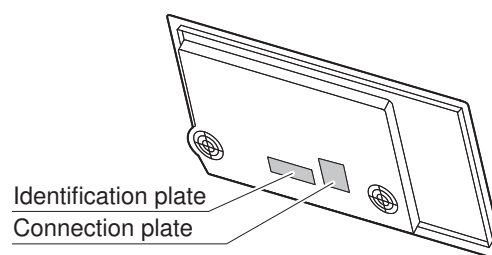
Model designation	Type	With DualDesign
CookTop V4000 I604	CTI4T-31157	CTI4T64ZFMSOLD
CookTop V4000 I804	CTI4T-31158	CTI4T84ZFMSOLD

### General notes

 **If installing into a combustible material, the guidelines and standards for low-voltage installations and fire protection must be strictly observed.**

### Identification plate

The identification plate is located next to the connection plate.



- ▶ Affix the second identification plate (supplied) in an accessible position behind the front of the fitted cabinet beneath the appliance.

### Installation accessories supplied

#### Flush installation:

Designation	Art. no.
Cementing-in instructions	J004133
Sealing strip set	H63283
Spacer set	H60330

### Accessories

#### For all installation variants:

Designation	Art. no.
Ventilation protective plate set for niche width 550 mm	H61082
Ventilation protective plate set for niche width 600 mm	H61083
Ventilation protective plate set for niche width 825 mm	H61084
Ventilation protective plate set for niche width 900 mm	H61085



**Flush installation:**

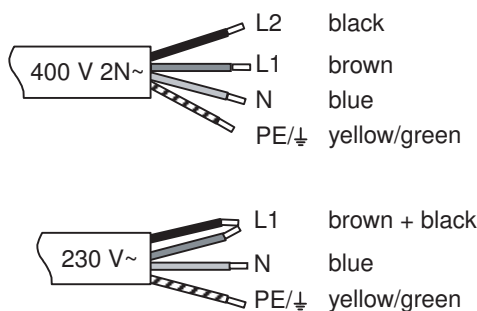
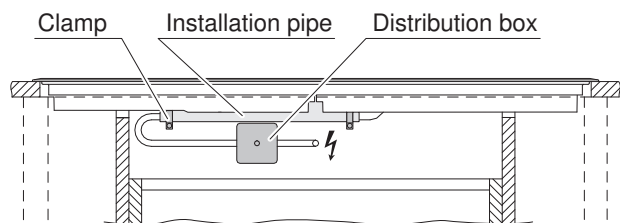
Designation	Art. no.
Steel angle set, installation dimension 60	H63772
Steel angle set, installation dimension 80	H63774
Intermediate support kit for the flush-mounted combination of several hobs (contains two intermediate supports)	H63789
Instant adhesive for installation of the steel angle (50 ml)	B11657
Straight mixing nozzle	B11656
TREMCLEAN isopropyl alcohol (1000 ml)	1056609
Black silicone FA880 (310 ml)	B11555
Anthracite silicone FA880 (310 ml)	B11556
White silicone FA880 (310 ml)	1031313
Stone grey silicone FA880 (310 ml)	1031314
Marble smoothing agent AA320 (1000 ml)	B11557
Fugenboy (silicone finishing tool)	B75158

**Electrical connection**

**Electrical connections must be carried out by qualified personnel in accordance with the guidelines and standards for low-voltage installations and the specifications of the local electricity supply companies. Refer to the identification plate for information on the required mains voltage and current type.**

A plug-in appliance may only be connected to a socket outlet with earthing contact, installed according to specifications. An all-pole mains isolating device with 3 mm contact opening should be provided in the house wiring system. Switches, plug and socket devices, circuit breakers and fusible cut-outs which are accessible after installation and which have all-poles switching are permissible as isolating devices. Effective earthing and separately installed neutral and earth conductors ensure safe and fault-free operation. After installation, live parts and cables with basic insulation must not be accessible. Check old installations.

- ▶ If the hobs are used at an altitude of over 2,000 metres, a reduced performance must be expected.
- The appliance is equipped with a connection cable which must be connected to an on-site junction box.



**Error message U400**

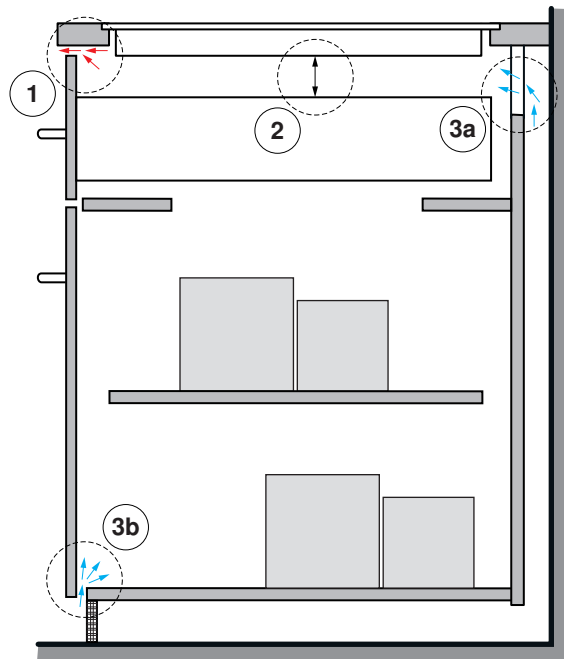
**Faulty connection: A pole conductor has been connected to the connection terminal for neutral conductors.**  
Quickly disconnect the appliance from the mains!



## Ventilation

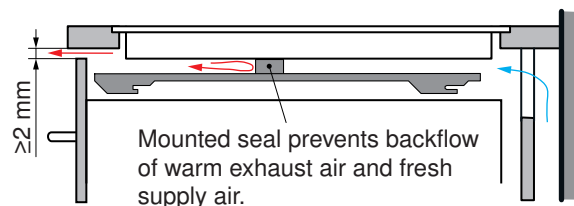
For installation of a V-ZUG induction hob, the following minimum requirements apply:

1. The hot air exhaust should be provided by a ventilation slit of  $\geq 2 \text{ mm}$  at the front.
2. A space of  $\geq 10 \text{ mm}$  in height is required beneath the appliance.
3. Not only exhaust air but also replacement air in the cabinet should be taken into account. There are different ways to do this, including:
  - a) The rear panel of the base unit must be open around the work surface cut-out to guarantee continuous air circulation through the ventilation slits. The air must be drawn in from outside the cabinet and be able to circulate freely from inside the cabinet to the hob. The lower plinth must not be hermetically sealed. This can be achieved through a shadow gap at the plinth panel or through the use of a ventilation grille.
  - b) Alternatively, a concealed fresh air supply can ensure air circulation inside the cabinet. In order that enough cold air can be drawn in, there must be a continuous circulation of fresh air that extends outside the cabinet. The lower drawer panel should therefore not hermetically seal the cabinet.



## Recommendation

If the hob is being used at the power limit, a reduction in power after a certain amount of time is normal. All induction hobs available on the market can be observed to work in the same way. Should, through cooking behaviour, such an instance occur more often, performance can be improved by optimizing ventilation. To this end, the installation of a ventilation protective plate with seal is generally recommended.



Ventilation protective plates only achieve the desired effect with the seal in place. The foam seals are available separately so that ventilation plates from other manufacturers can be retrofitted.

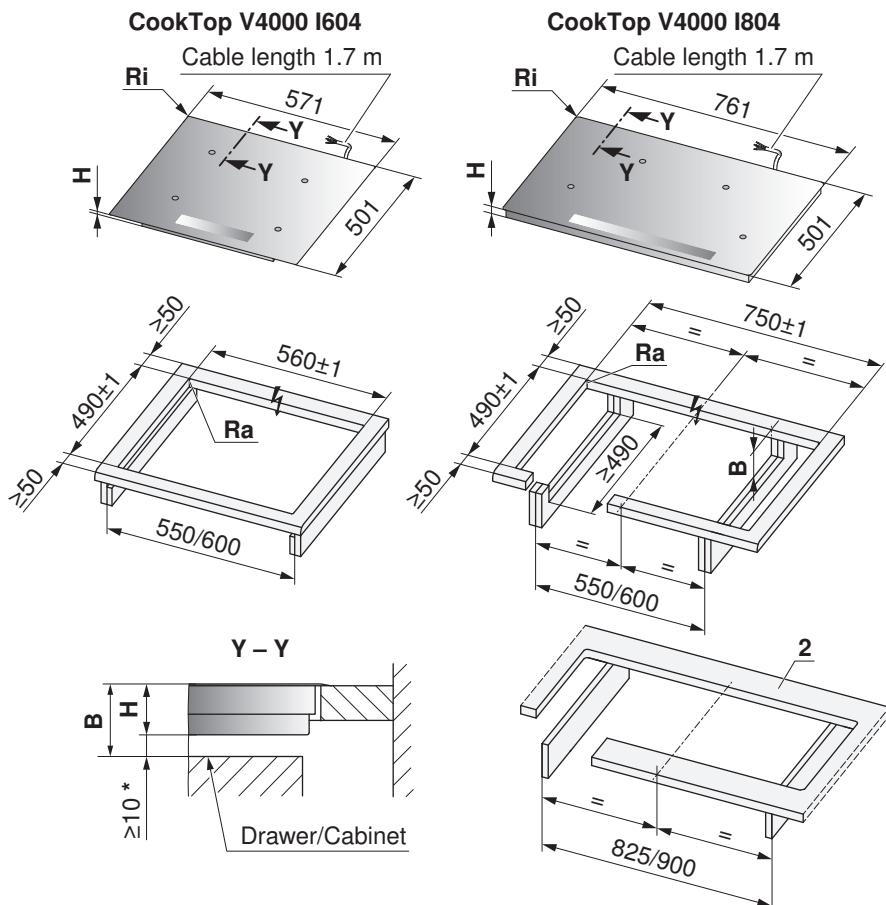


**General information about installation**

- The worktop must be flat so that it is sufficiently sealed against the ingress of liquids.
- In order to guarantee good ventilation, a space of at least 10 mm in height is necessary beneath the appliance.

**Surface-mounted installation with DualDesign**

The layout of the hob to be fitted may differ from the hob illustrated!



\* The required clearance must be observed!

- 2 The front and rear pegs are reinforced underneath. The strut width is determined by the producer of the stone worktop. The minimum peg width can vary according to the properties of the stone.

Type	B	H	Corner radius Ra/Ri
CookTop V4000	≥58 mm	48 mm	5/2 mm

- B** Required clearance for ventilation and service replacement over the entire cut-out area.
- H** Dimension from the top of the work surface to the underside of the hob (ventilation opening)
- Ra** Outer corner radii of cut-out
- Ri** Corner radii of appliance
- S** Drawer/Cabinet

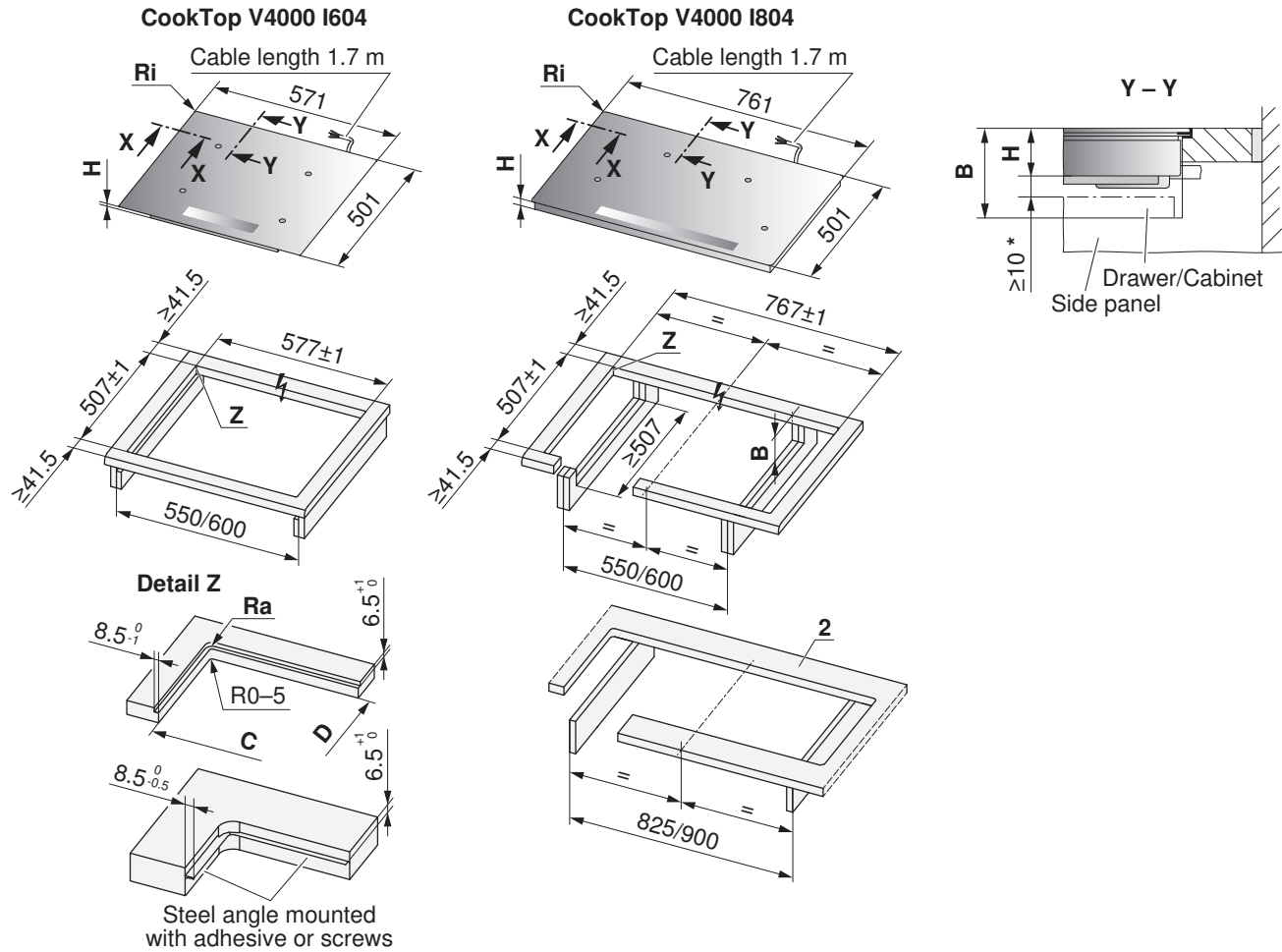
**Installation**

1. Create the mounting cut-out accurately.
2. Carefully place the appliance in the mounting cut-out and push against the work surface until flat.



**Flush installation with DualDesign**

The layout of the hob to be fitted may differ from the hob illustrated!



\* The required clearance must be observed!

2 The front and rear pegs are reinforced underneath. The strut width is determined by the producer of the stone worktop. The minimum peg width can vary according to the properties of the stone.

Type	B	C/D	H	Corner radius Ra/Ri
CookTop V4000 I604	≥75 mm	560/490	52 mm	5/2 mm
CookTop V4000 I804		750/490		

- B** Required clearance for ventilation and service replacement over the entire cut-out area.
- H** Dimension from the top of the work surface to the underside of the hob (ventilation opening)
- Ra** Outer corner radii of cut-out
- Ri** Corner radii of appliance
- S** Drawer/Cabinet

**Installation**

1. Create an accurate installation cut-out.
  - The mounting surface can be reamed out or created by installing wood/stone supports or using the steel angle set (see Accessories).

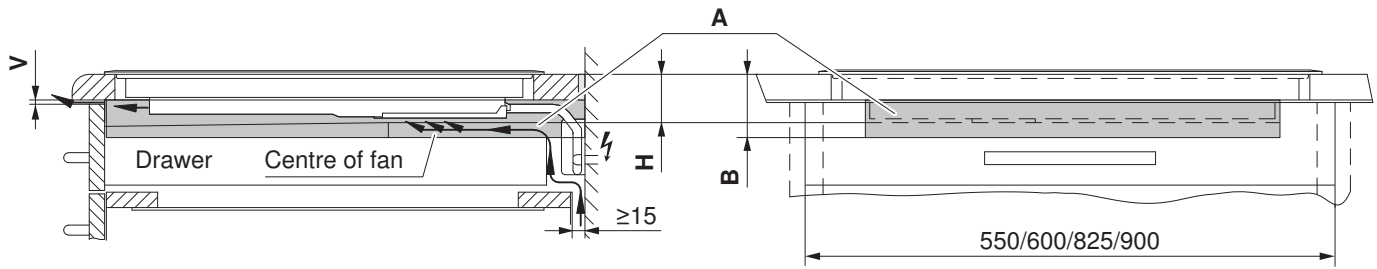
Access to the appliance from below via the entire cut-out area must be guaranteed. For servicing purposes, the induction generator can be removed from below with the mounting plate. It must be possible to unscrew the contact-proof covers from below.

2. Prepare the cut-out and appliance in accordance with the specifications in the enclosed cementing-in instructions.
3. Carefully cement the appliance in and leave the silicone sealant to dry for at least 24 hours.
4. Connect to the electrical mains connection before inserting the appliance, if necessary.



**Cool air supply with regard to drawer or cabinet installed below**

In order to guarantee good ventilation, a space of  $\geq 10$  mm height is necessary beneath the appliance.

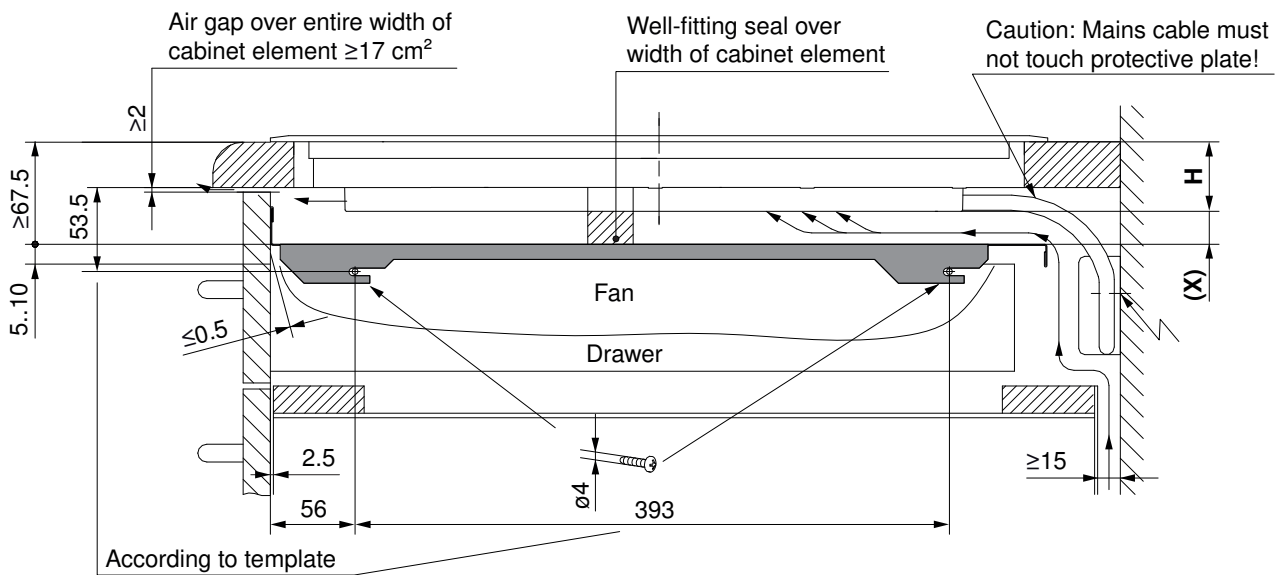


- A** Necessary space below the worktop for the appliance.
- B** Necessary space below the worktop for the ventilation of the appliance.
- H** Dimension from the top of the work surface to the underside of the hob (ventilation opening)
- V** Necessary ventilation gap for hot air exhaust (minimum height depends on whether ventilation protection plate is installed)

**Installing with ventilation protective plate with a 2 mm ventilation gap at the front**



**A protective plate with seal is necessary for the adequate ventilation of the hob. The distance X between the underside of the appliance and the protective plate must be  $\geq 10$  mm.**



Type	X	Remarks
CookTop V4000	12 mm	Surface-mounted installation
	10 mm	Flush installation

- H** Dimension from the top of the work surface to the underside of the hob (ventilation opening).

## Installation instructions

Induction hob

CookTop V4000 I604 | I804

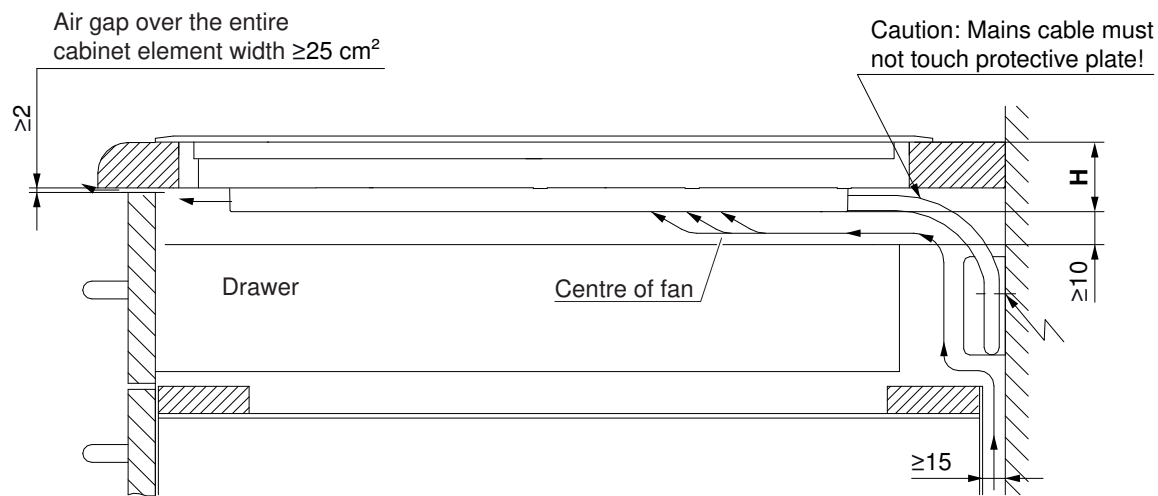


1146992-03

24/02/2023

### Installing without ventilation protective plate with a 2 mm ventilation gap at the front

In order to guarantee good ventilation, a space of  $\geq 10$  mm height is necessary beneath the appliance.



**H** Dimension from the top of the work surface to the underside of the hob (ventilation opening)