

Planning aid

International collection
Laundry room appliances
2020/2021

Note on content

Please note

This planning aid applies to the specified model numbers only. Older planning aids for earlier generation models may be requested in electronic form from our Customer Services.

This planning aid is not to be used as installation instructions! The regulations and instructions binding for the appliance installation are to be obtained from the installation instructions packed with the appliances. The installation instructions can also be downloaded from the internet from www.vzug.com/b2b.

Modifications

Text, diagrams and data correspond to the technical standard of the appliances at the time this planning aid went to press. The right to make technical modifications for the purpose of the further development of the appliances is reserved. The German, English, French and Italian versions are binding. V-ZUG accepts no liability for translations in other languages.

Symbols used



Symbol ISO 7010 W021
WARNING: Risk of fire / Flammable materials



Denotes important safety precautions.

Failure to observe said precautions can result in injury or in damage to the appliance or fittings!

- ▶ Indicates an instruction.
- Indicates a list.



Information and precautions that should be observed.

Supplementary documents

In this planning aid, occasional reference is made to supplementary documents. These documents can be requested from the Head Office in Zug by sending an e-mail to service-support@vzug.com.

Useful links

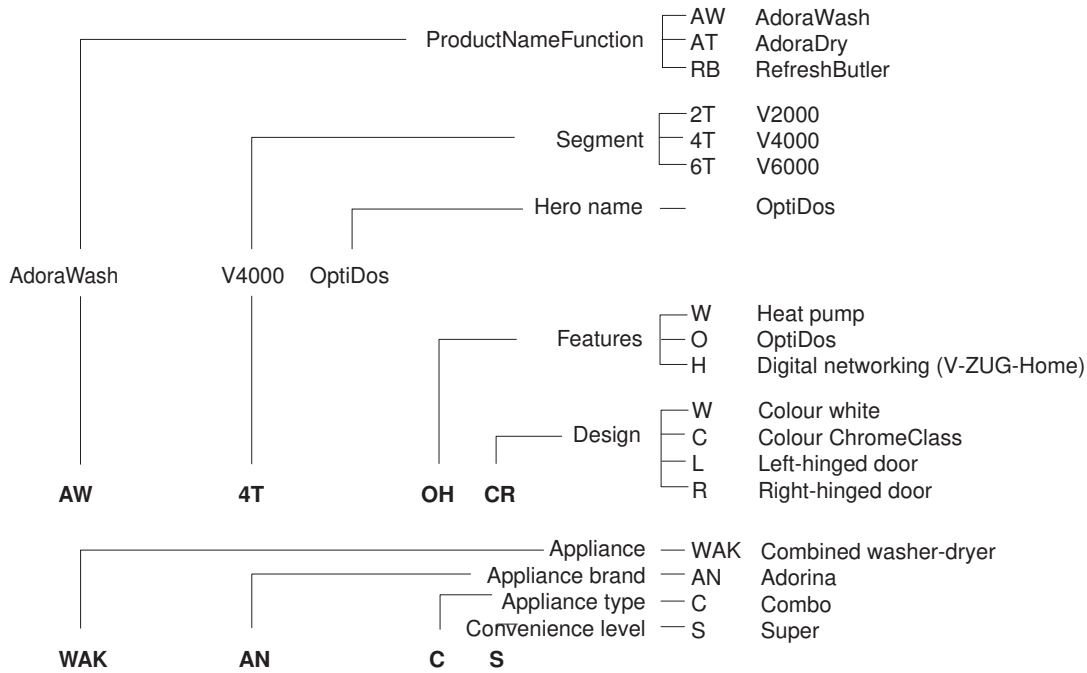
- www.vzug.com
- www.vzug.com/b2b
- www.lifestyle.vzug.com

Key to country groups

Country group	Country code (in accordance with ISO 3166)
A	EU European Union, TR Turkey, IL Israel, LB Lebanon
B	GB Great Britain
C	HK Hong Kong, MO Macao, SG Singapore
D	AU Australia, NZ New Zealand
E	RU Russia, UA Ukraine
F	CN China



Explanation of terms





Contents

1 Appliance overview	5
1.1 Validity.....	5
1.2 Washer-dryer towers.....	5
2 Electrical connections	6
2.1 General operating conditions	6
2.2 Using residual current devices in house wiring system / fault current.....	6
3 Plumbing in	7
3.1 Washing machines.....	7
3.2 Tumble dryers	8
3.3 Washer-dryer combination	9
3.4 Combined washer-dryer.....	12
4 Washing machines	13
4.1 Electrical connection data	13
4.2 Dimensions	14
4.3 Installation	15
4.4 Positioning.....	15
5 Tumble dryers	17
5.1 Electrical connection data	17
5.2 Dimensions	17
5.3 Installation	18
5.4 Positioning.....	19
6 Washer-dryer towers	22
6.1 Installation	22
6.2 Positioning.....	22
7 Convenient storage drawer	25
7.1 Dimensions	25
8 Combined washer-dryer	26
8.1 Electrical connection data	26
8.2 Dimensions	26
8.3 Installation	27
8.4 Positioning.....	28
9 Textile care system	29
9.1 Electrical connection data	29
9.2 Dimensions	29
9.3 Installation	30
9.4 Positioning.....	31
10 Accessories	36
10.1 Washing machines.....	36
10.2 Tumble dryers	36
10.3 Textile care system	36
10.4 Combined washer-dryer.....	36
11 V-ZUG-Home	37
11.1 Internet access.....	37
11.2 Scope of delivery.....	37
11.3 Connecting to the home network.....	37
Index	38
12 Notes	39



1 Appliance overview

1.1 Validity

The model number corresponds to the first alphanumeric of the serial number SN (or FN) on the identification plate.



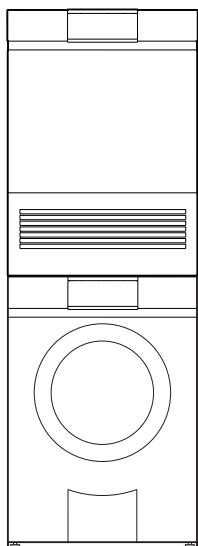
Fire hazard! Models 12017, 12019 contain the refrigerant R290, an environmentally friendly but flammable refrigerant. Keep open fire, ignition and/or heat sources such as burning candles, incense sticks, room heaters and the like away from the appliances.

Product	Model number	Product	Model number
Washing machines		Tumble dryers	
AdoraWash V2000	11021	AdoraDry V2000	12011
AdoraWash V4000	11023	AdoraDry V2000	12017 ¹
AdoraWash V6000	11025	AdoraDry V6000	12013
		AdoraDry V6000	12019 ¹
		Textile care system	
Combined washer-dryer		RefreshButler V6000	14003
Adorina CS	11018		

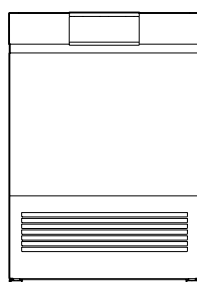
¹ The appliance contains the flammable refrigerant R290.

1.2 Washer-dryer towers

Washing machines and tumble dryers with the same level of convenience can be combined to form a washer-dryer tower.



AdoraWash



AdoraDry

2 Electrical connections



Electrical connections must be carried out by qualified experts in accordance with the guidelines and standards for low-voltage installations and the specifications of the local electricity supply companies. A plug-in appliance may only be connected to a socket outlet with earthing contact, installed according to specifications. An all-pole mains isolating device with 3 mm contact opening should be provided in the house wiring system. Switches, plug and socket devices, circuit breakers and fusible cut-outs which are accessible after installation and which have all-poles switching are permissible as isolating devices. Effective earthing and separately installed neutral and earth conductors ensure safe and fault-free operation. After installation, live parts and cables with basic insulation must not be accessible. Check old installations.

2.1 General operating conditions



Detailed information on the electrical connection data can be found at the beginning of each section.

Value	Country group *	Nominal value	Minimum	Maximum
Voltage	A, B, D, E	230 V	207 V	253 V
	C, F	220–240 V	198 V	
Frequency	A, B, C, D, E, F	50 Hz sinusoidal	49 Hz sinusoidal	51 Hz sinusoidal

* Key (see page 2)

- Short duration frequency variation in the mains: ± 1 Hz
- Long duration frequency stability in the mains (for synchronous clocks): ± 10 ppm
- Protection type IP: IP-X4
- Operating height: Electrical safety is guaranteed up to 2,000 m above sea level.

2.2 Using residual current devices in house wiring system / fault current

Washing machines have an inherently high fault current. The values can be affected by various factors and vary widely. In accordance with the norm, fault currents of up to approximately 10 mA per appliance are permissible. The values are measured in the warm operating state.

If residual current devices (RCDs) are used in the house wiring system, we recommend that the above-mentioned appliances have their own RCD protection, separate from the power supply for the rest of the system. The tripping current of the RCD should be selected to be 30 mA or higher.

3 Plumbing in

3.1 Washing machines

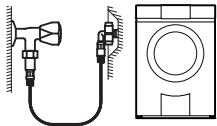
Comply with the regulations laid down by the local water supply authority for the layout of the supply pipe and drainage.

General operating conditions

Value		Nominal value	Minimum	Maximum
Mains pressure (0.1 MPa = 1 bar)	Static	0.3 MPa	0.1 MPa	1.0 MPa
	Flowing	–	0.08 MPa	1.0 MPa
Water hardness ¹		–	0.5 °fH	50 °fH
Water inlet temperature	Cold water	–	5 °C	35 °C
Water inlet		G $\frac{3}{4}$ "	–	–
Drainage cross-section		ø internal 57 mm (on-site)	ø internal min. 19 mm	–

¹ For special cases with water hardness in excess of 50 °fH, an external water softener is recommended.

Water inlet



Appliance	Hose ¹	Length	Connection	Optimal working pressure	Possible pressure range
AdoraWash V2000–V6000	Inlet hose with Aquastop	1.25 m	G $\frac{3}{4}$ "	0.3 MPa (3 bar)	0.1–1.0 MPa (1–10 bar)

¹ If the standard connection length is not long enough, order the CS set containing long hoses with longer connection lengths (see page 36).



Connection to a mixer tap or a continuous flow heater is not permitted!

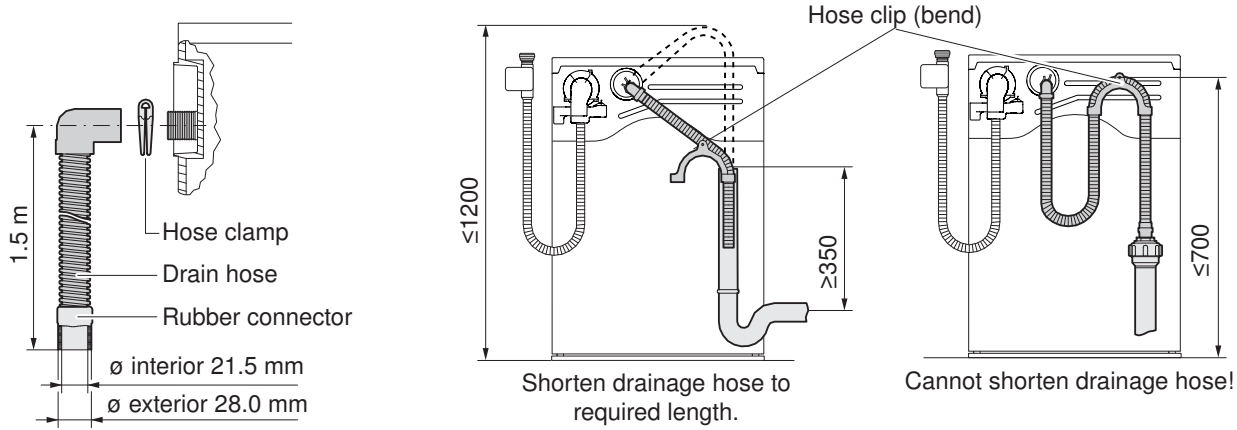


Special lengths must be connected directly to the appliance. Lengthening the inlet and drain hoses is not permitted.

Water outlet



V-ZUG does not supply or install drain-traps. Follow the drain-trap manufacturer's instructions.



Appliance	Hose	Length	Connection	Pumping height of drain pump from floor
AdoraWash V2000–V6000	Corrugated plastic hose	1.5 m	ø internal 21.5 mm	≤1200 mm

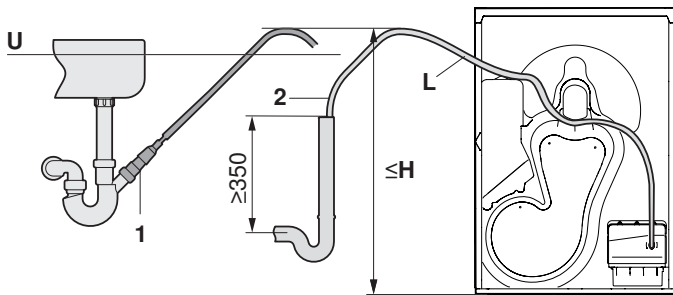
3.2 Tumble dryers



V-ZUG does not supply or install drain-traps. Follow the drain-trap manufacturer's instructions.

Direct drainage

AdoraDry



- 1 Connection to sink drain trap, set W53070
- 2 Condensate drain kit W56298 (series standard)

- ▶ Use a drain trap with an open-top fixed upright outflow pipe.
- ▶ For a connection to sink drain trap, position the drain hose above the overflow line U.

Appliance	Hose	Length L from drain pump to H	Connection	Pumping height H of drain pump from floor
AdoraDry V2000, V6000	Smooth PVC hose	2.5 m	ø external 10.5 mm	≤1200 mm

3.3 Washer-dryer combination

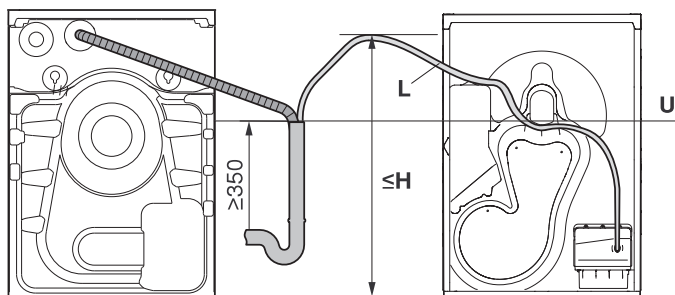


V-ZUG does not supply or install drain-traps. Follow the drain-trap manufacturer's instructions.

Connection to drain trap with open-top fixed upright outflow pipe

Appliances installed side by side with separately routed drainage pipe

AdoraWash & AdoraDry

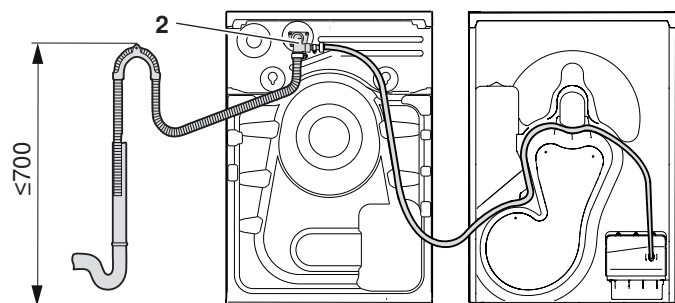


► Position the drain hose from the tumble dryer above the overflow line **U**.

Appliance	Hose	Length L from drain pump to H	Connection	Pumping height H of drain pump from floor
AdoraDry V2000, V6000	Smooth PVC hose	2.5 m	ø external 10.5 mm	≤1200 mm

Appliances installed side by side with combi drainage set

AdoraWash & AdoraDry

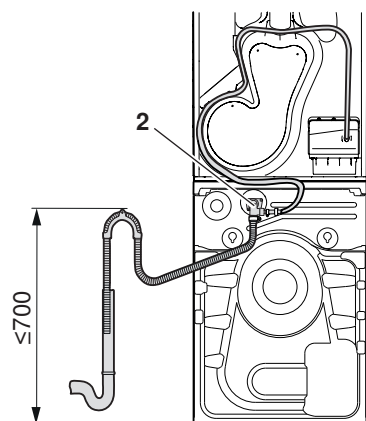


2 Combi drainage set W55969

- ▶ Fix hose end with hose support.
- ▶ Secure drain hose on tumble dryer so that it cannot kink.

Washer-dryer tower with combi drainage set

AdoraWash & AdoraDry



2 Combi drainage set W55969

- ▶ Fix hose end with hose support.

Connection to concealed drain-trap

V-ZUG does not supply or install concealed drain-traps. Unused connections to the concealed drain-trap must be sealed off. Where possible, the washing machine and tumble dryer should be connected to a separate concealed drain-trap. Secure drain hoses with a clamp (not included in the scope of delivery).



Water must be prevented from flowing from the washing machine into the tumble dryer!



1 A washing machine and tumble dryer may only be connected to the same concealed drain-trap if the two appliances remain hydraulically separate from one another.



2 Washer-dryer tower or washing machine and tumble dryer installed side by side with combi drainage set

The AdoraDry V2000, V6000 tumble dryers can be retrofitted with the accessory combi drainage set (article no. W55969). It permits the water outlet of a washing machine and a tumble dryer into one water outlet (concealed drain-trap). The water from the tumble dryer is pumped by the pump into the water outlet of the washing machine.



3 Washing machine and tumble drying installed side by side

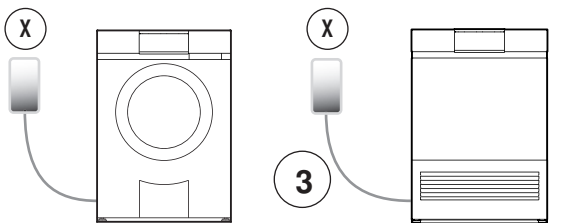
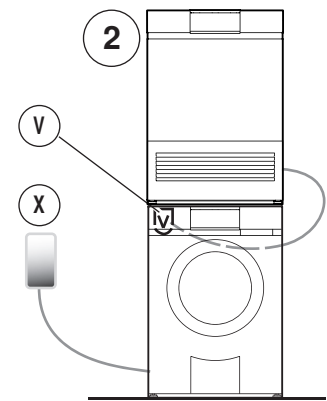
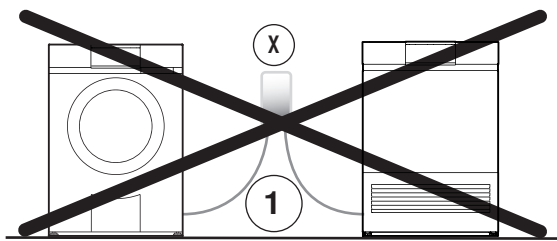
If a tumble dryer is installed side by side with the appropriate washing machine, each appliance must be connected to a separate concealed drain-trap.



The combi drainage set V may be used if there is only one concealed drain-trap X.

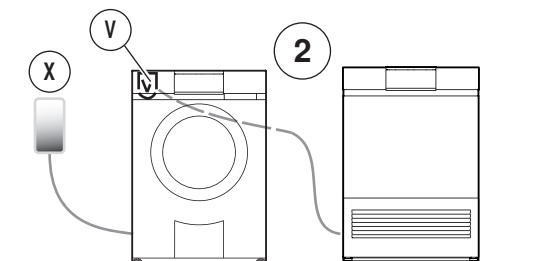
V Combi drainage set
 W55969

X Concealed drain-trap



Washing machine

Tumble dryer



3.4 Combined washer-dryer

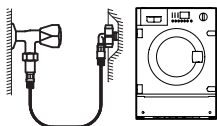
Comply with the regulations laid down by the local water supply authority for the layout of the supply pipe and drainage.

General operating conditions

Value		Nominal value	Minimum	Maximum
Mains pressure (0.1 MPa = 1 bar)	Static	0.3 MPa	0.05 MPa	0.9 MPa
	Flowing	–	–	0.9 MPa
Water hardness ¹		–	0.5 °fH	50 °fH
Water inlet temperature	Cold water	–	5 °C	35 °C
Water inlet		G ³ / ₄ "	–	–
Drainage cross-section		ø internal 57 mm (on-site)	ø internal min. 19 mm	–

¹ For special cases with water hardness in excess of 50 °fH, an external water softener is recommended.

Water inlet



Appliance	Hose	Length	Connection	Optimal working pressure	Possible pressure range
Adorina CS	Inlet hose with Aquastop	2.2 m	G ³ / ₄ "	0.3 MPa (3 bar)	0.05–0.9 MPa (0.5–9 bar)

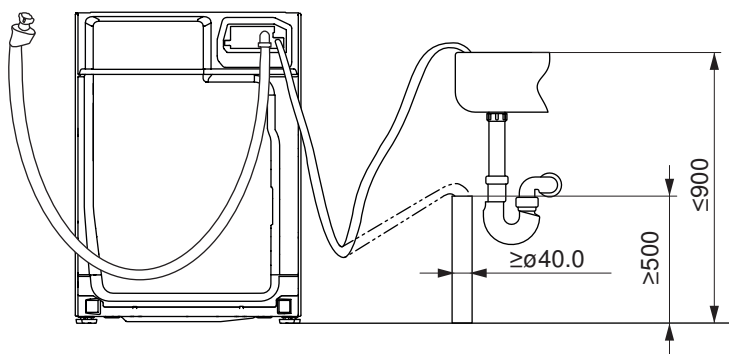
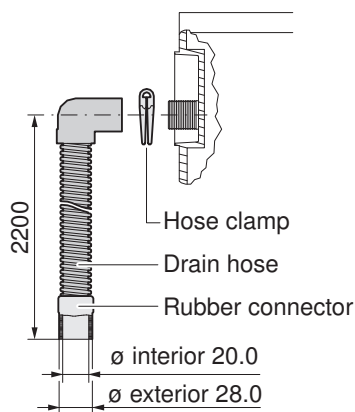


Connection to a mixer tap or a continuous flow heater is not permitted!

Water outlet



V-ZUG does not supply or install drain-traps. Follow the drain-trap manufacturer's instructions.



Appliance	Hose	Length	Connection	Pumping height of drain pump from floor
Adorina CS	Corrugated plastic hose	2.2 m	ø internal 20 mm	≤900 mm

4 Washing machines

4.1 Electrical connection data




General information on the electrical connections and an overview of the positions can be found in the Electrical connections (see page 6) section.


Appliance	Country group ¹	Mains connection	Rated load	Fuse	Mains connection cable
AdoraWash V6000	A	230 V~ 50 Hz	3500 W	16 A	1.8 m, with plug
	B, E	230 V~ 50 Hz	2100 W	10 A	
	C, D, F	220–240 V~ 50 Hz	2100 W	10 A	
AdoraWash V4000	A	230 V~ 50 Hz	3500 W	16 A	1.8 m, with plug
	C (SG), E	230 V~ 50 Hz	2300 W	10 A	
	C (HK)	220–240 V~ 50 Hz	2300 W	10 A	
	F	220–240 V~ 50 Hz	2100 W	10 A	
AdoraWash V2000	A, B, E	230 V~ 50 Hz	2300 W	10 A	1.8 m, with plug
	C, D	220–240 V~ 50 Hz	2300 W	10 A	
	F	220–240 V~ 50 Hz	2100 W	10 A	


¹ Key (see page 2)

4.3 Installation

General condition

- 

All Adora appliances are delivered with mounted transport lock. It must be removed when the appliance is installed.
 Damage to the appliance and surrounding equipment or furniture cannot otherwise be ruled out! Any costs incurred will not be borne by the appliance manufacturer.
- 


All Adora appliances must be mounted on the installation plate supplied. Only in this case is problem-free operation guaranteed. The appliances can be levelled by means of adjustable feet.
- 

The appliance actively balances unbalanced loads during spinning. To ensure problem-free operation, no soft, sound insulating underlay may be used.

Room temperature

Permissible room temperature: 5 °C to 35 °C

4.4 Positioning


- 


To prevent disturbing noise and vibration the appliance must not come into contact with the surrounding walls of its installation location. It is imperative to comply with the supplied installation instructions for positioning the appliance.

 - ▶ The appliance must stand level and stable. Check with a spirit level.
 - ▶ The appliance must not wobble in case of a crosswise load.

Installation plate (W40653)

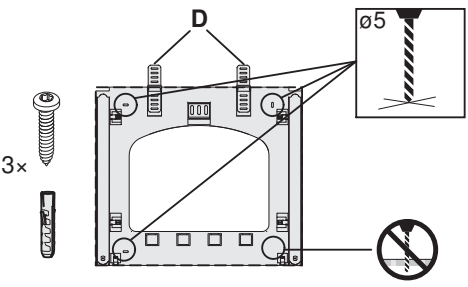
General condition

- 

The installation plate is used as an installation aid and its use is obligatory. It can be fixed to the floor with double-sided adhesive tape or it can be screwed to the floor.
 Failure to observe said precautions can result in injury or in damage to the appliance or fittings!
- 

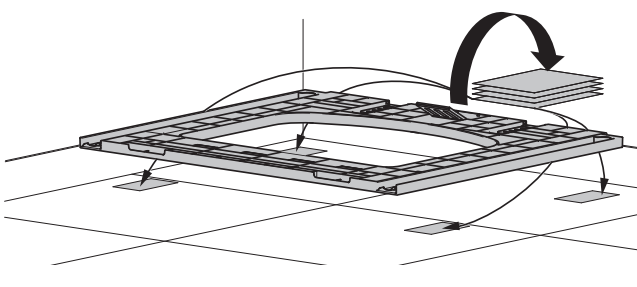
If a room has underfloor heating the installation plate may only be adhered (fastening material is included in the scope of delivery).
 Failure to observe said precautions can result in injury or in damage to the appliance or fittings!

Without underfloor heating



- ▶ Fold out spacers **D**.
- ▶ Screw installation plate into place.

With underfloor heating

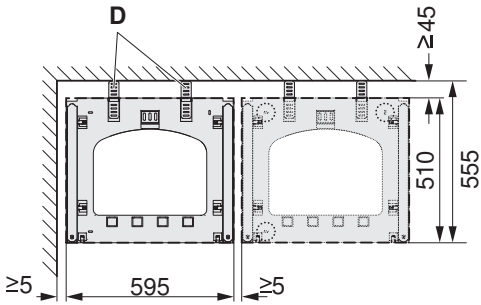


- ▶ Fold out spacers **D**.
- ▶ Adhere installation plate into place.

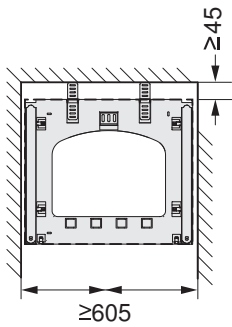
Free-standing position

If a tumble dryer and a washing machine are positioned side by side, keep a distance of min. 5 mm between the installation plates and to the walls at the side and min. 45 mm to the back wall. The installation plates for the washing machine and tumble dryer are the same.

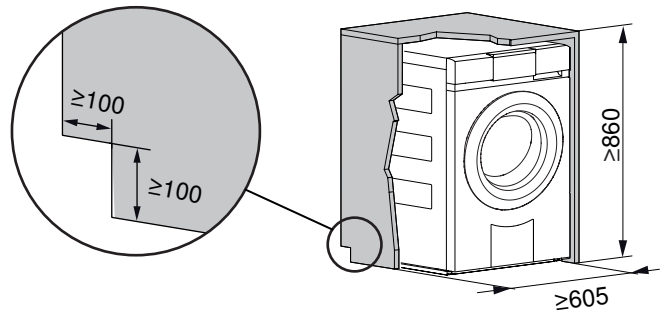
Dimensions 45 and 555 only apply if no plumbing fittings are to be installed behind the appliance.



Positioning in a niche

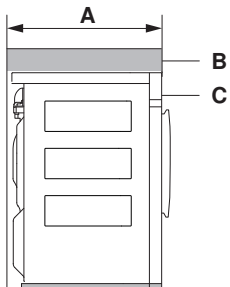


- ▶ Centre the installation plate in the niche.
- ▶ Niche width: ≥ 605 mm
- ▶ Distance to the back wall: ≥ 45 mm

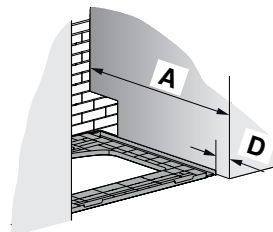
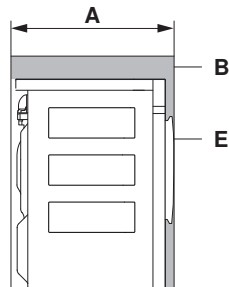


- ▶ Cut-out for connections (left or right): $\geq 100 \times 100$ mm
- ▶ Niche height: ≥ 860 mm

Variant 1



Variant 2



Variants	Positioning	Niche depth A	Installation offset for installation plate D
1	Niche front B and appliance front C are flush	≥ 605 mm	50 mm
2	Niche front B and appliance door E are flush	≥ 645 mm	83 mm



5 Tumble dryers

The following tumble dryers are condenser dryers with a heat pump. The process circuit of the heat pump dryer is completely closed. The hot humid air is cooled and condensed in the 1st heat exchanger and then re-heated in the 2nd heat exchanger.

The heat pump dryer has roughly half the energy consumption of conventional tumble dryers, a higher air flow rate and a lower drying temperature. This results in particularly gentle drying, especially suitable for heat-sensitive textiles such as synthetics and blended fabric.

5.1 Electrical connection data



General information on the electrical connections and an overview of the positions can be found in the Electrical connections (see page 6) section.

Appliance	Country group *	Mains connection	Rated load	Fuse	Mains connection cable
AdoraDry V6000	A, B, D, E	220–240 V~ 50 Hz	1050 W	10 A	1.8 m, with plug
	C, F	220–240 V~ 50 Hz	1050 W	10 A	1.8 m, with plug
AdoraDry V2000	A, B, D, E	220–240 V~ 50 Hz	750 W	10 A	1.8 m, with plug
	C, F	220–240 V~ 50 Hz	750 W	10 A	1.8 m, with plug

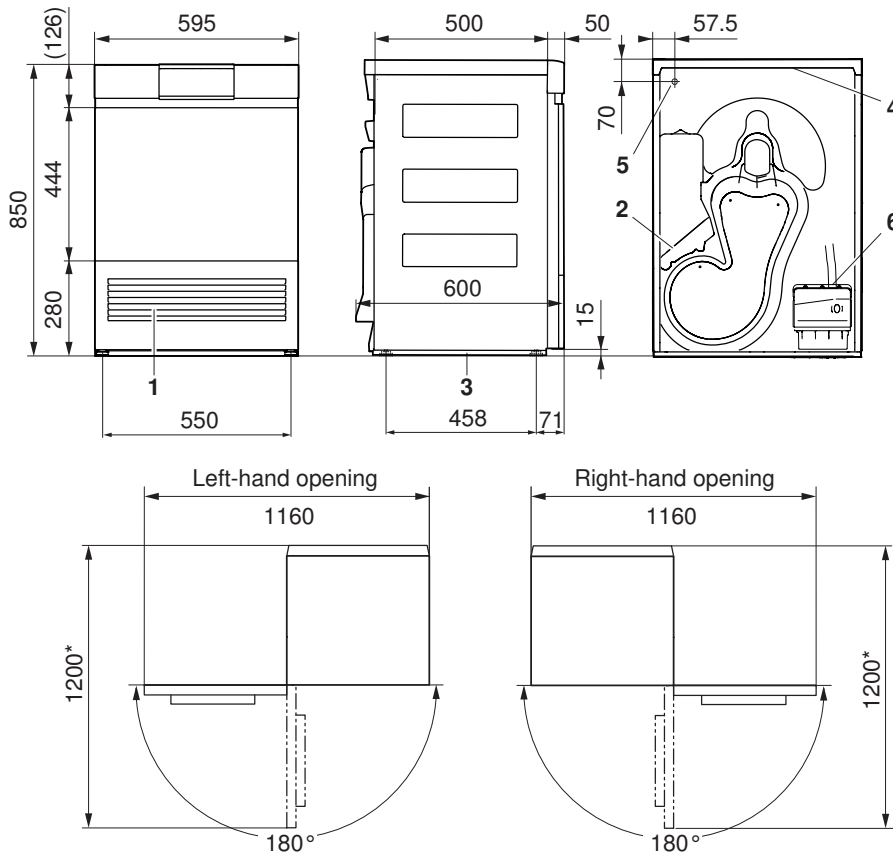
* Key (see page 2)

5.2 Dimensions



The stated dimensions do not include distances from walls. To prevent disturbing noise and vibration the appliances must not come into contact with the surrounding walls of their installation location.

AdoraDry V2000, V6000



- 1 Cooling air inlet
- 2 Cooling air outlet
- 3 Installation plate
- 4 Tower panel
- 5 Outlet mains connection cable, length: 1.8 m, with plug
- 6 Condensate drain
 Drain connection: $\varnothing 10.5$ mm
 Pumping height of drain pump from floor: ≤ 1200 mm
 Condensate water drain hose, length: 2.5 m

* Clearance space across the whole width of the front

5.3 Installation

General condition



To prevent an impermissible rise in temperature and humidity, inlet and outlet openings to an adjacent room or to the outside must be available (open windows, ventilation grilles or slots in the door, ventilation systems). On the other hand there is the possibility of using the waste heat.

Normal bathroom extractor fans are not adequate for optimal room ventilation. They switch off with the light after a preset after-running time.

Through the heat recovery of the heat pump dryer, heat dissipation is greatly reduced, resulting in the imposition of far fewer demands on the installation room. Heat pump dryers affect their environment like a heater blower with a heat output of approx. 700 W.



All Adora appliances must be mounted on the installation plate supplied. Only in this case is problem-free operation guaranteed. The appliances can be levelled by means of adjustable feet.

The room must be kept free of dust and fluff.

Room temperature

Permissible room temperature: 5 °C to 35 °C

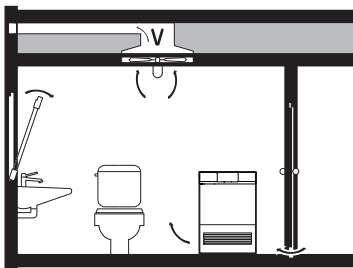


The room temperature must be kept between the range of 15–25 °C to ensure the economic running of the appliance. A room temperature of over 35 °C is critical and extends the duration of the individual programmes. High temperatures can also result in error messages and impair the service life of the appliance.

Ventilation

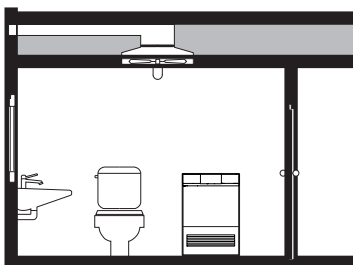
As a general rule, rooms containing heat pump dryers should be ventilated as these produce a small amount of moisture. For each heat pump dryer, the passage of exhaust and intake air must be guaranteed. EXHAUST AIR requires INTAKE AIR. At least the same amount of air must be supplied to as is being extracted from the room.

Ventilation concepts



Installation room volume <math><20\text{ m}^3</math>:

- ▶ There must be air inlet and outlet openings (open window, ventilation grille or slits in the door, ventilation system) to the adjacent room or to the outside.
- ▶ Operation is trouble-free with an air circulation rate from 15 m³/h.



Installation room volume $\geq 20\text{ m}^3$, room kept closed:

- ▶ Condensation may form on thermal bridges!
- ▶ The room must be aired (by opening the door to or a window in the room) between consecutive drying programmes!

5.4 Positioning



To prevent disturbing noise and vibration the appliance must not come into contact with the surrounding walls of its installation location. It is imperative to comply with the supplied installation instructions for positioning the appliance.

- ▶ The appliance must stand level and stable. Check with a spirit level.
- ▶ The appliance must not wobble in case of a crosswise load.

Installation plate (W40653)

General condition



The installation plate is used as an installation aid and its use is obligatory. It can be fixed to the floor with double-sided adhesive tape or it can be screwed to the floor.

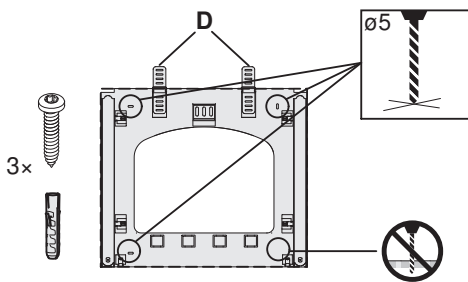
Failure to observe said precautions can result in injury or in damage to the appliance or fittings!



If a room has underfloor heating the installation plate may only be adhered (fastening material is included in the scope of delivery).

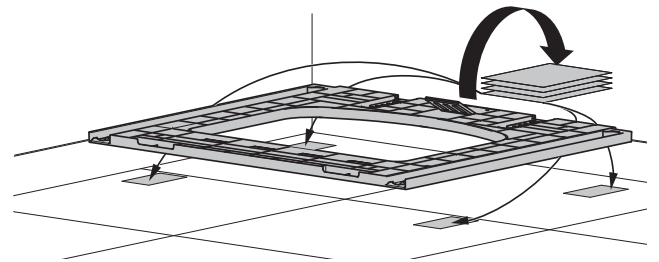
Failure to observe said precautions can result in injury or in damage to the appliance or fittings!

Without underfloor heating



- ▶ Fold out spacers **D**.
- ▶ Screw installation plate into place.

With underfloor heating



- ▶ Fold out spacers **D**.
- ▶ Adhere installation plate into place.

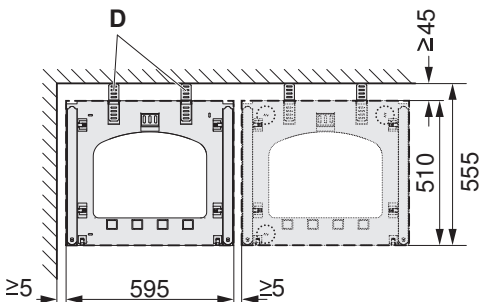
Free-standing position



If a tumble dryer and a washing machine are positioned side by side, keep a distance of min. 5 mm between the installation plates and to the walls at the side and min. 45 mm to the back wall. The installation plates for the washing machine and tumble dryer are the same.



Dimensions 45 and 555 only apply if no plumbing fittings are to be installed behind the appliance.



Positioning in a niche



If a tumble dryer is installed in a niche, a 130° door stop must be provided (article no. W54086).

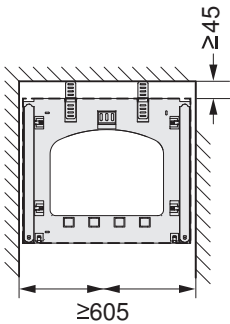


If the niche is fitted with a door, it must be ensured that the door is left open for the duration of the process. The niche door and the appliance door must be hinged on the same side.

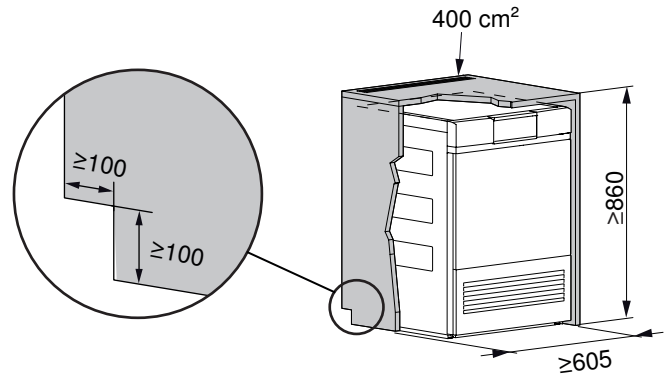
Additionally valid for models 12017 and 12019:



If the niche is fitted with a door, ventilation openings of at least 100 cm² must be provided in both the upper part and the lower part of the niche.



- ▶ Centre the installation plate in the niche.
- ▶ Niche width: ≥605 mm
- ▶ Distance to the back wall: ≥45 mm



- ▶ Cut-out for connections (left or right): ≥100 × 100 mm
- ▶ Niche height: ≥860 mm
- ▶ Ventilation cross-section: ≥400 cm²

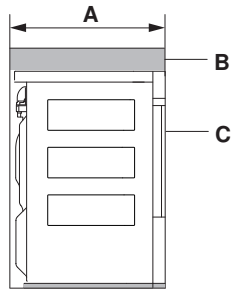


The condensed water hose must not be crushed between the rear of the appliance and the building wall.

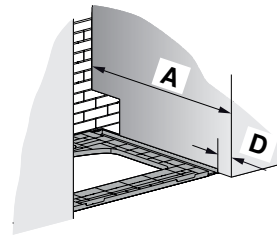
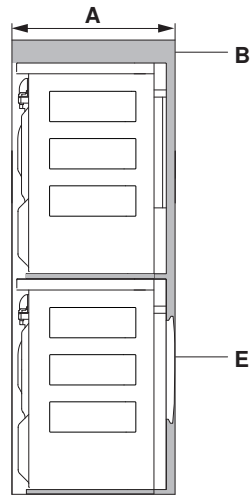


The heat emitted from the rear of the appliance must be conducted out of the niche. By means of 2 ventilation grilles P33002 (see page 36) or a ventilation cross-section of min. 400 cm² in the niche cover ensure exhaust air via the connection opening.

Variant 1



Variant 2



Variants	Positioning	Niche depth A	Installation offset for installation plate D
1	Niche front B and tumble dryer front C are flush	≥605 mm	50 mm
2	Niche front B and washing machine door E are flush	≥645 mm	83 mm

6 Washer-dryer towers



For safety reasons, tumble dryers standing upon washing machines are never to be mounted and operated without the associated installation plate.

Disconnection points must be provided for the water supply and electrical connection, which must be capable of being actuated without moving the appliances.

6.1 Installation

Washing machines

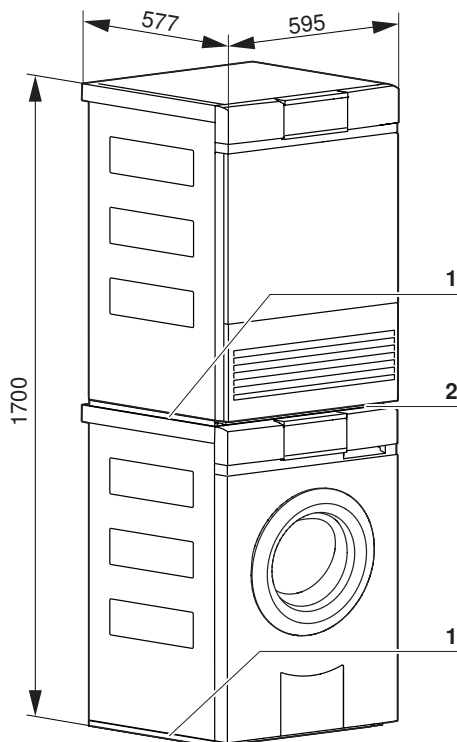
Install the washing machine as per the section on Installation (see page 15).

Tumble dryers

Install the tumble dryer as per the section on Installation (see page 18).

6.2 Positioning

Free-standing position



- 1 Installation plate
- 2 Tower panel (when delivered, attached to the cover plate at the back of the tumble dryer)

Positioning in a niche



If a tumble dryer is installed in a niche, a 130° door stop must be provided (article no. W54086).

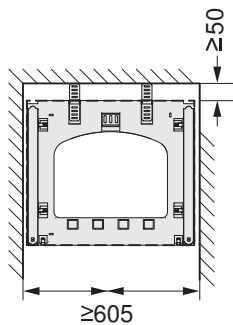


If the niche is fitted with a door, it must be ensured that the door is left open for the duration of the process. The niche door and the appliance door must be hinged on the same side.

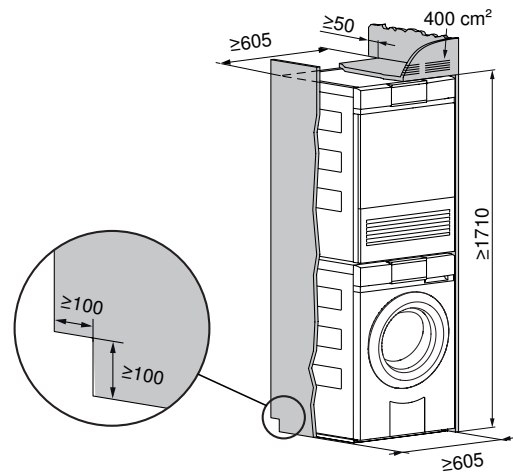
Additionally valid for models 12017 and 12019:



If the niche is fitted with a door, ventilation openings of at least 100 cm² must be provided in both the upper part and the lower part of the niche.



- ▶ Centre the installation plate in the niche.
- ▶ Niche width: ≥605 mm
- ▶ Distance to the back wall: ≥50 mm



- ▶ Cut-out for connections (left or right): ≥100 × 100 mm
- ▶ Niche height: ≥1710 mm
- ▶ Ventilation cross-section: ≥400 cm²

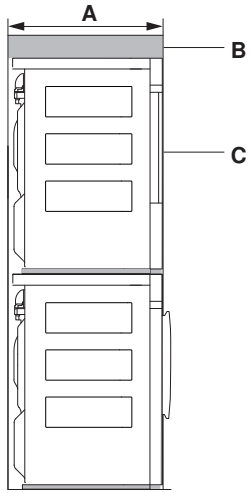


The condensed water hose must not be crushed between the rear of the appliance and the building wall.

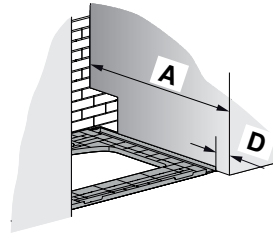
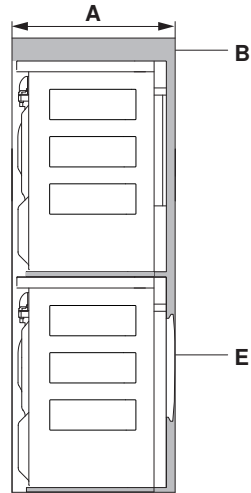


The heat emitted from the rear of the appliance must be conducted out of the niche. By means of 2 ventilation grilles P33002 or a ventilation cross-section of min. 400 cm² in the niche front ensure exhaust air via the connection opening.

Variant 1



Variant 2



Variants	Positioning	Niche depth A	Installation offset for installation plate D
1	Niche front B and tumble dryer door C are flush	≥605 mm	50 mm
2	Niche front B and washing machine door E are flush	≥645 mm	83 mm

7 Convenient storage drawer



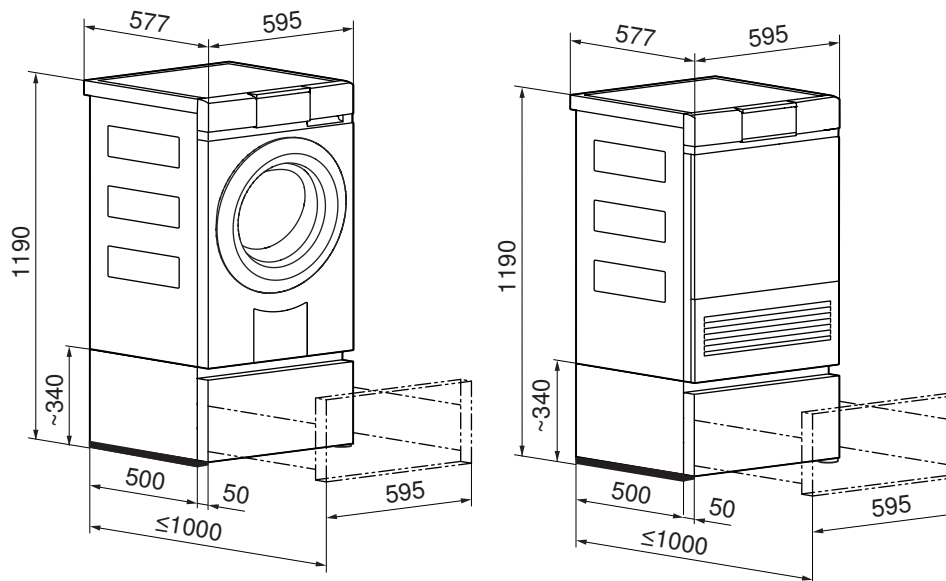
Do not stand a washer-dryer tower on a convenient storage drawer.

An Adora convenient storage drawer – by raising the height of the tumble dryer or washing machine – makes for comfortable use of the appliance. The drawer can also be used for storing washing detergent, accessories, etc.

7.1 Dimensions



The stated dimensions do not include distances from walls. To prevent disturbing noise and vibration the appliances must not come into contact with the surrounding walls of their installation location.



Only safe from tipping over when drawer fully loaded (max. load 25 kg) if installation plate is in place and secured with screws.

For adhered installation plates and installation on an uneven base, the maximum load guaranteed is only up to 8 kg.

8 Combined washer-dryer

8.1 Electrical connection data



General information on the electrical connections and an overview of the positions can be found in the Electrical connections (see page 6) section.

Appliance	Country group *	Mains connection	Rated load	Fuse	Mains connection cable
Adorina CS	B, C	220–240 V~ 50 Hz	2200 W	13 A	2.2 m, with plug (BS 1363)
	F	220–240 V~ 50 Hz	2200 W	10 A	2.2 m, with plug (CH2-16P)

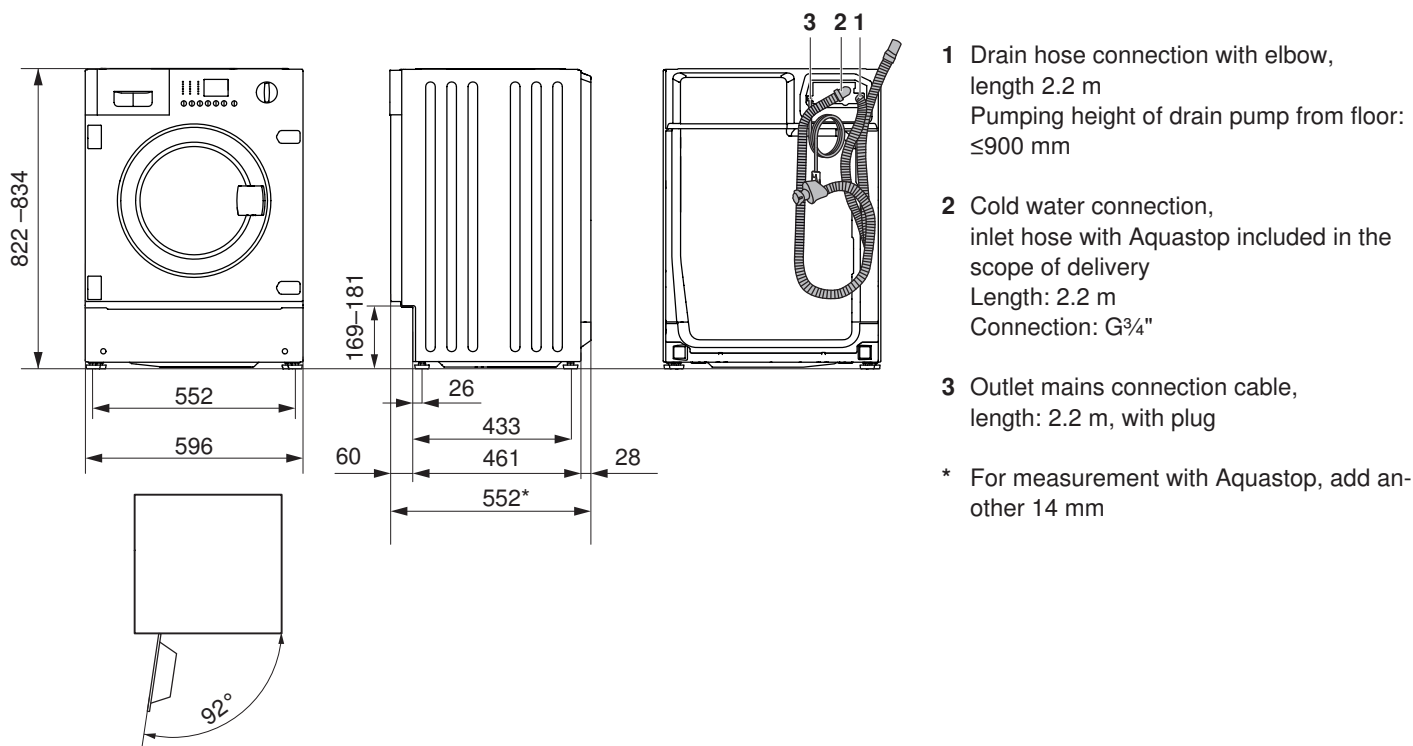
* Key (see page 2)

8.2 Dimensions



The stated dimensions do not include distances from walls. To prevent disturbing noise and vibration the appliances must not come into contact with the surrounding walls of their installation location.

Adorina CS



8.3 Installation

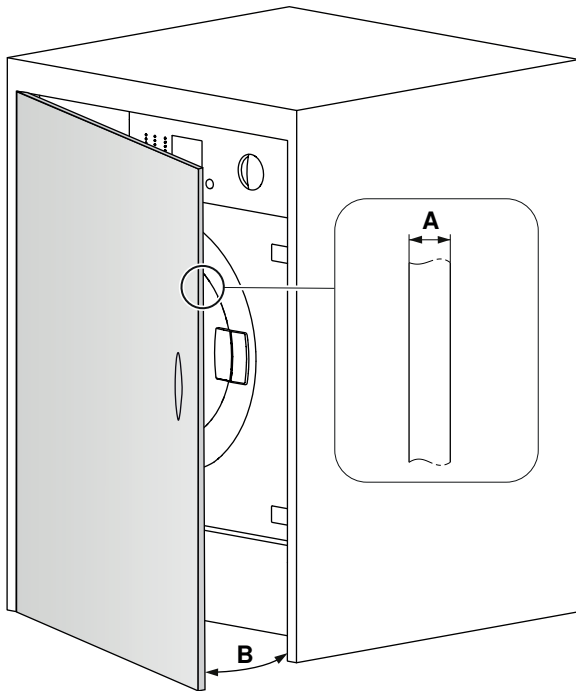
General condition

The Adorina appliances have 4 adjustable feet to correct for uneven or sloped floors. The height adjustment allows for a 6–15 mm gap from the bottom side of appliance to the floor.



When using a decor panel fixed to the cabinetry, the openings in the front of the appliance for hinges magnetic locks and push-push locks must be sealed with closing covers (article 1022309, not included in the scope of delivery).

Hinges, magnetic locks and push-push locks for mounting the decor panel are included in the scope of delivery (see page 36). The decor panel can be hinged to the left or right (see document 1017089).



- A** Thickness of decor panel 16–21 mm
- B** Opening angle: $\leq 110^\circ$

Room climate and ventilation

Room temperature

Permissible room temperature:

Tower with tumble dryer: 5 °C to 35 °C



The room temperature should be kept as low as possible to ensure the economic running of the appliance. A room temperature of over 35 °C is critical and extends the duration of the individual programmes. High temperatures can also result in error messages and impair the service life of the appliance.

Ventilation

For further details, refer to the section on room climate and ventilation (see page 18). See the installation instructions for further instructions.

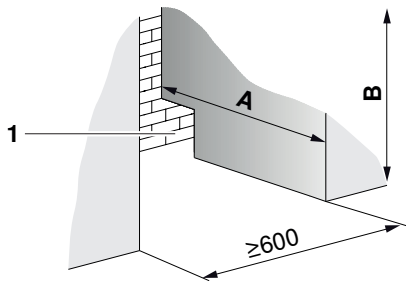
8.4 Positioning

- ▶ The appliance must stand level and stable. Check with a spirit level.
- ▶ The appliance must not wobble in case of a crosswise load.

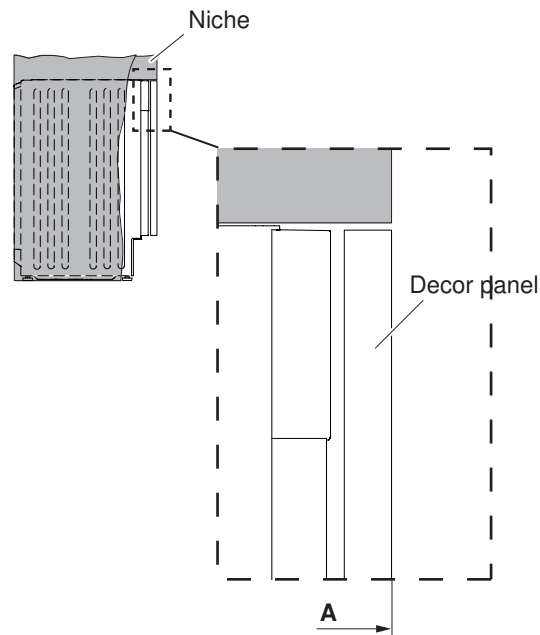
The floor surface must be clean, dry, free of floor wax residue and other lubricating coatings so that the appliance does not slide away! Do not use pieces of wood, cardboard or the like to compensate for any small irregularities in the floor surface (a floor attachment plate set no. 81131132 may be used to secure the appliance). If, for reasons of space, it is not possible to avoid installing the appliance directly next to a gas or coal-fired appliance: install a thermal insulation panel between the cooker and the appliance (85 × 57 cm) which must have an aluminium film on the side against the cooker.

Positioning in a niche

The Adorina appliances have 4 adjustable feet to correct for uneven or sloped floors. The height adjustment allows for a 6–15 mm gap from the bottom side of appliance to the floor.



- ▶ Cut-out for connections **1** (left or right):
≥50 × 100 mm or
≥80 × 80 mm
- ▶ Niche depth **A**: ≥584 mm
- ▶ Niche height **B**: ≥825 mm



- ▶ Appliance decor panel or appliance panel flush with neighbouring appliances/panels



9 Textile care system

9.1 Electrical connection data



General information on the electrical connections and an overview of the positions can be found in the Electrical connections (see page 6) section.

Appliance	Country group *	Mains connection	Rated load	Fuse	Mains connection cable
RefreshButler V6000	A, B, C, E	230 V~ 50 Hz	1200 W	10 A	2.2 m, with plug
	D, F	220–240 V~ 50 Hz	1200 W	10 A	2.2 m, with plug

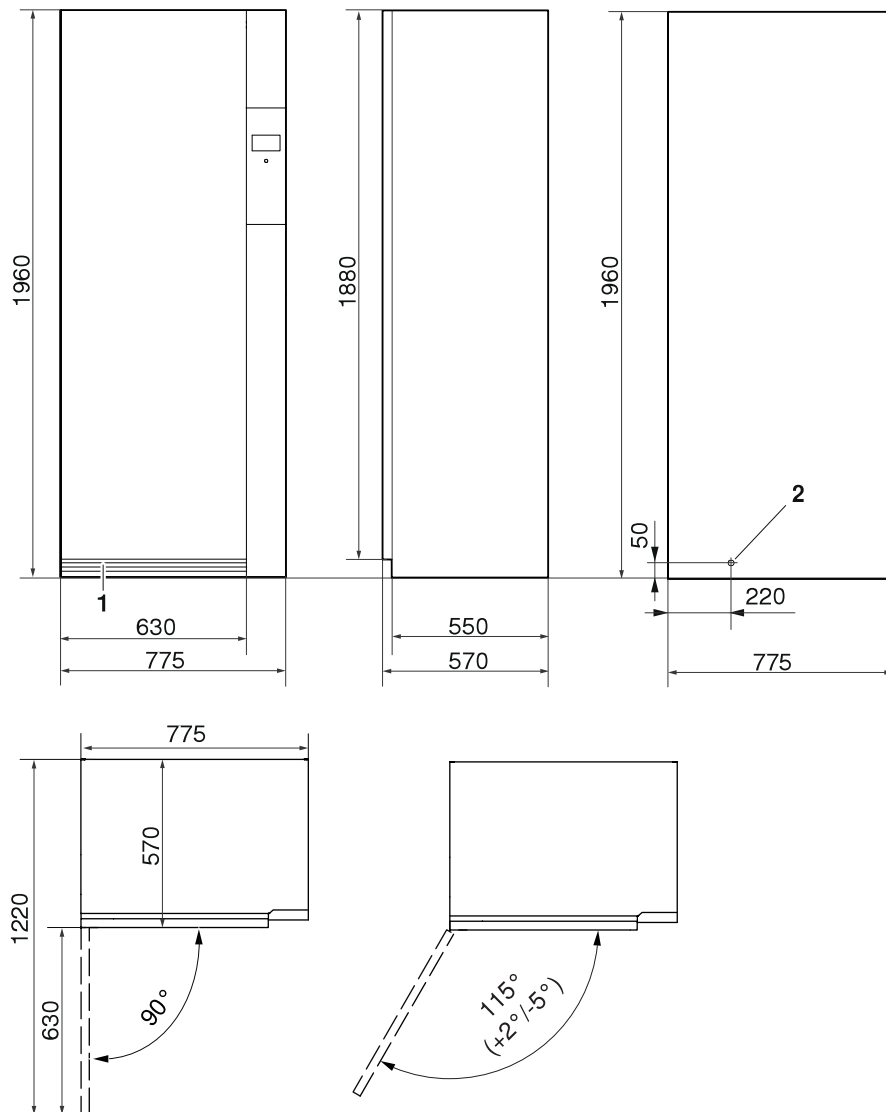
* Key (see page 2)

9.2 Dimensions



The stated dimensions do not include distances from walls. To prevent disturbing noise and vibration the appliances must not come into contact with the surrounding walls of their installation location.

RefreshButler V6000



- 1 Cooling air inlet
- 2 Outlet mains connection cable, length: 2.2 m, with plug

9.3 Installation

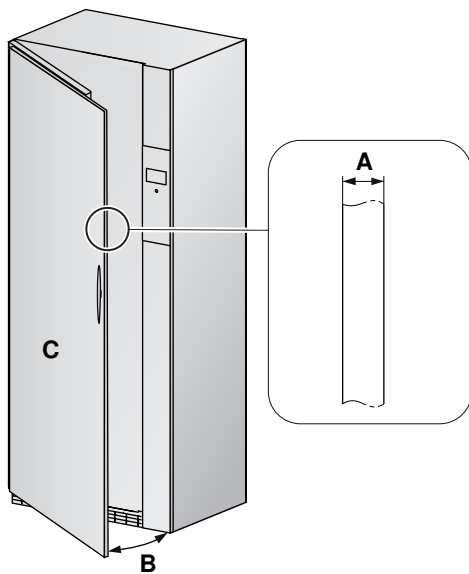
General condition



To prevent an impermissible rise in temperature and humidity, inlet and outlet openings to an adjacent room or to the outside must be available (open windows, ventilation grilles or slots in the door, ventilation systems). On the other hand there is the possibility of using the waste heat.

Normal bathroom extractor fans are not adequate for optimal room ventilation. They switch off with the light after a preset after-running time.

Through the heat recovery of the heat pump dryer, heat dissipation is greatly reduced, resulting in the imposition of far fewer demands on the installation room. Heat pump dryers affect their environment like a heater blower with a heat output of approx. 700 W. The appliance can be levelled by means of adjustable feet. The room must be kept free of dust and fluff.



- A** Thickness of decor panel: 10–19 mm, recommendation: 16 mm
- B** Opening angle: 115° (+2° / -5°)
- C** Maximum permissible weight of decor panel according to hinge manufacturer: 35 kg

Ventilation

As a general rule, rooms containing a textile care appliance must be ventilated as these produce some humidity. For each heat pump dryer, the passage of exhaust and intake air must be guaranteed. EXHAUST AIR requires INTAKE AIR. At least the same amount of air must be supplied to as is being extracted from the room. If the room is kept closed, the installation room volume must be min. 20 m³.

Room temperature

Permissible room temperature: 5 °C to 30 °C



The room temperature should be kept as low as possible to ensure the economic running of the appliance. A room temperature of over 30 °C is critical and extends the duration of the individual programmes. High temperatures can also result in error messages and impair the service life of the appliance.

9.4 Positioning



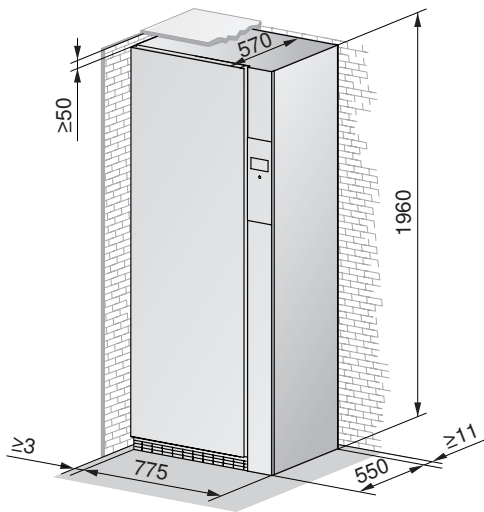
To prevent disturbing noise and vibration the appliance must not come into contact with the surrounding walls of its installation location. It is imperative to comply with the supplied installation instructions for positioning the appliance.

- ▶ The appliance must stand level and stable. Check with a spirit level.
- ▶ The appliance must not wobble in case of a crosswise load.

Free-standing position

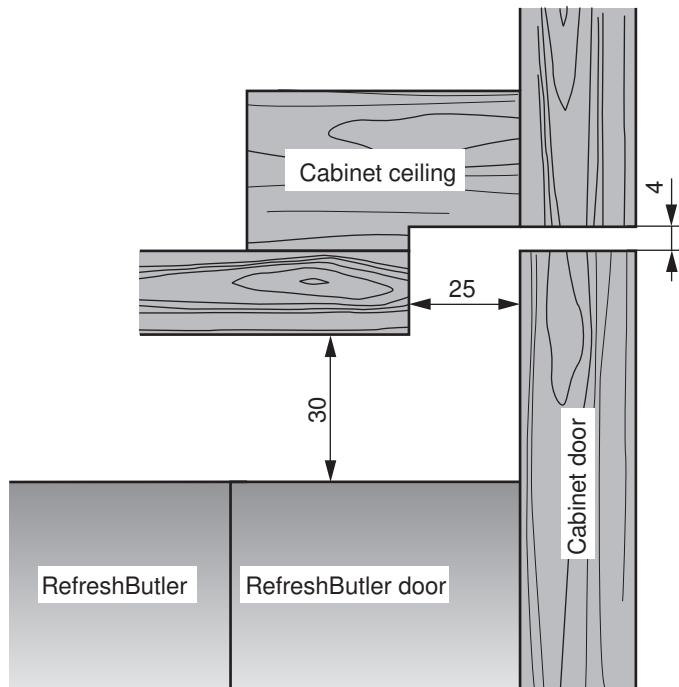


When positioning a RefreshButler so that it is free-standing, a distance of min. 3 mm must be kept to the walls to the left and right.

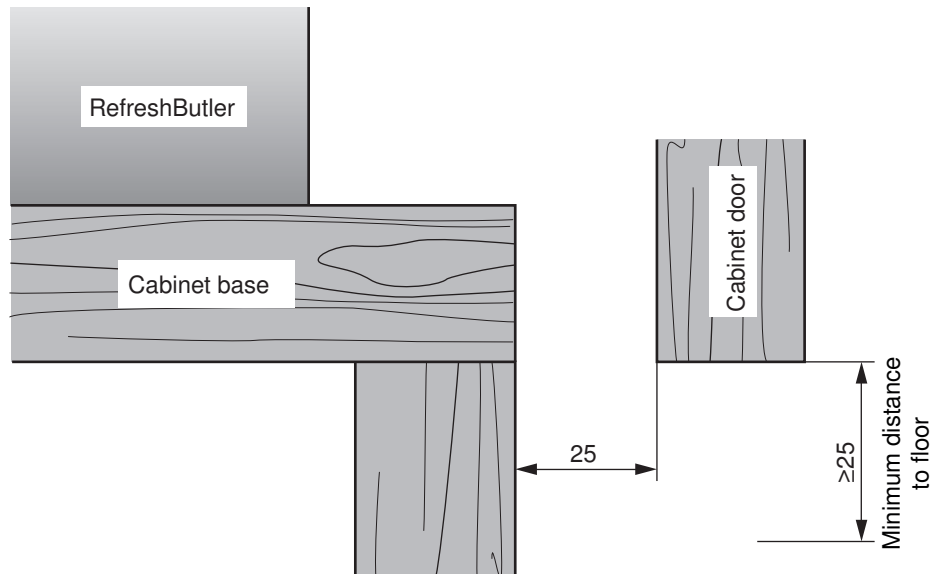




Detail Y

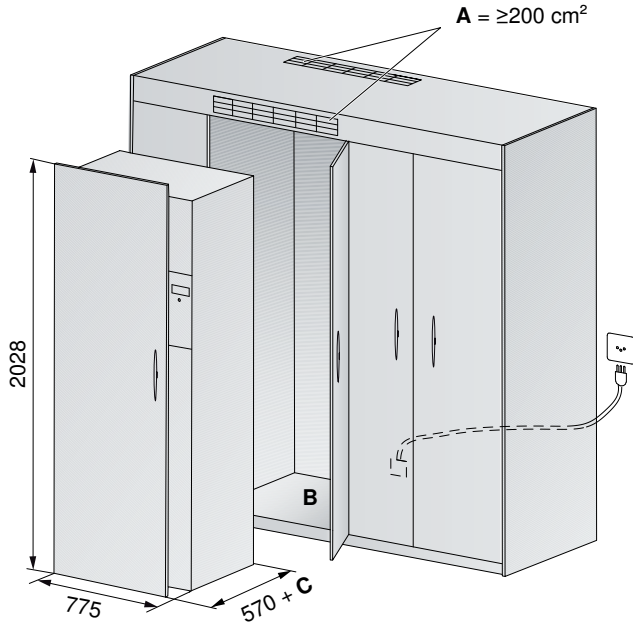


Detail Z

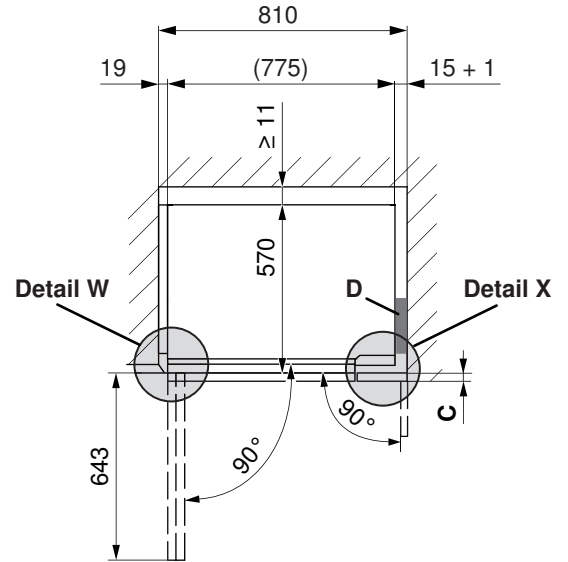


Positioning in a niche (with decor panel)

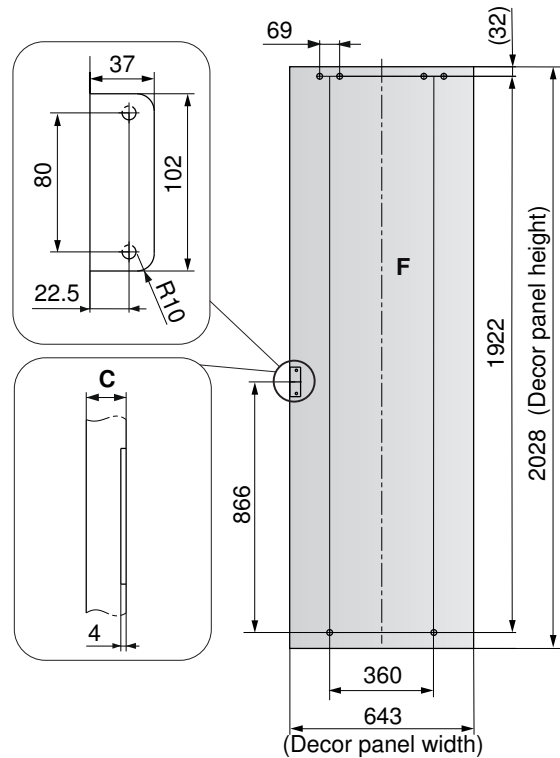
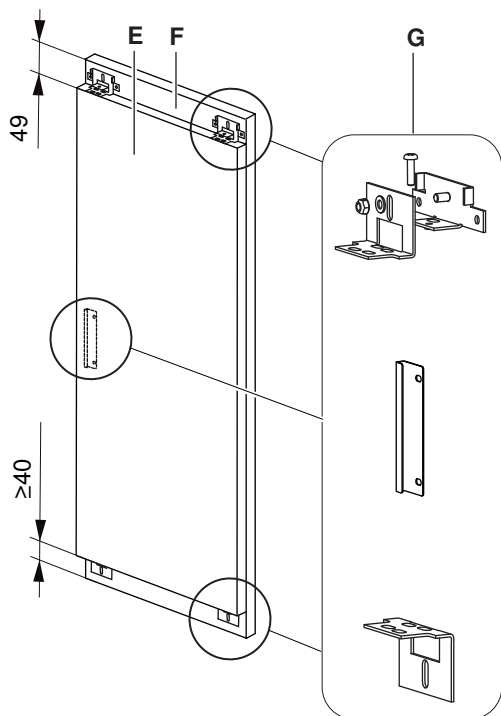
The decor panel is fastened to the RefreshButler door.



Floor plan



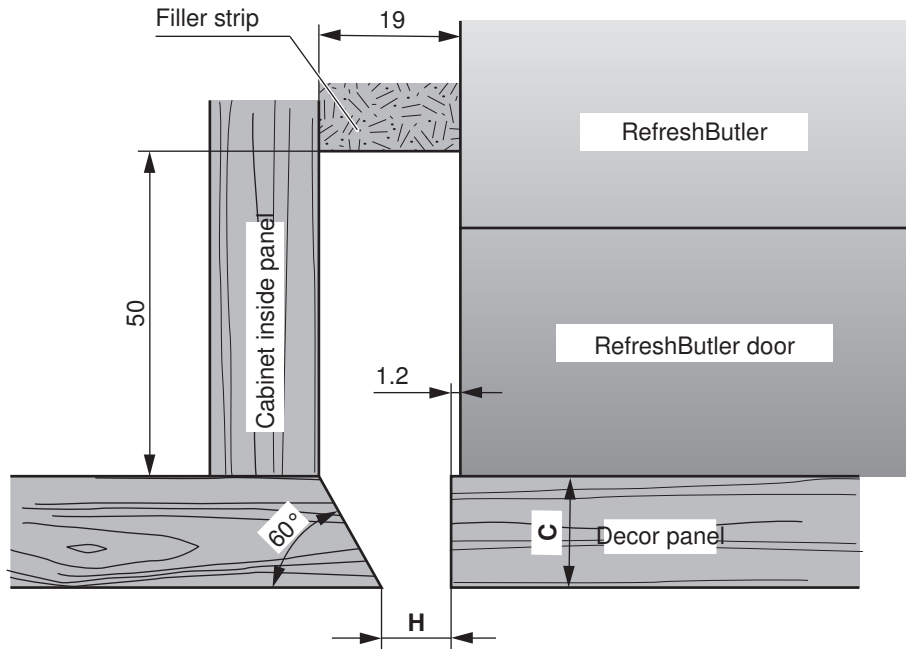
RefreshButler door and decor panel



- A** Ventilation slit on the top at the back or above the cabinet door
- B** Load-bearing capacity of cabinet floor:
min. 170 kg + weight of decor panel **F**
- C** Thickness of decor panel **F** (10–19 mm, recommendation: 16 mm)
- D** Mount filler strip after installing appliance

- E** RefreshButler door
- F** Decor panel: Max. weight: 35 kg
- G** 5 angle brackets, included in the scope of delivery (see installation set W56295)

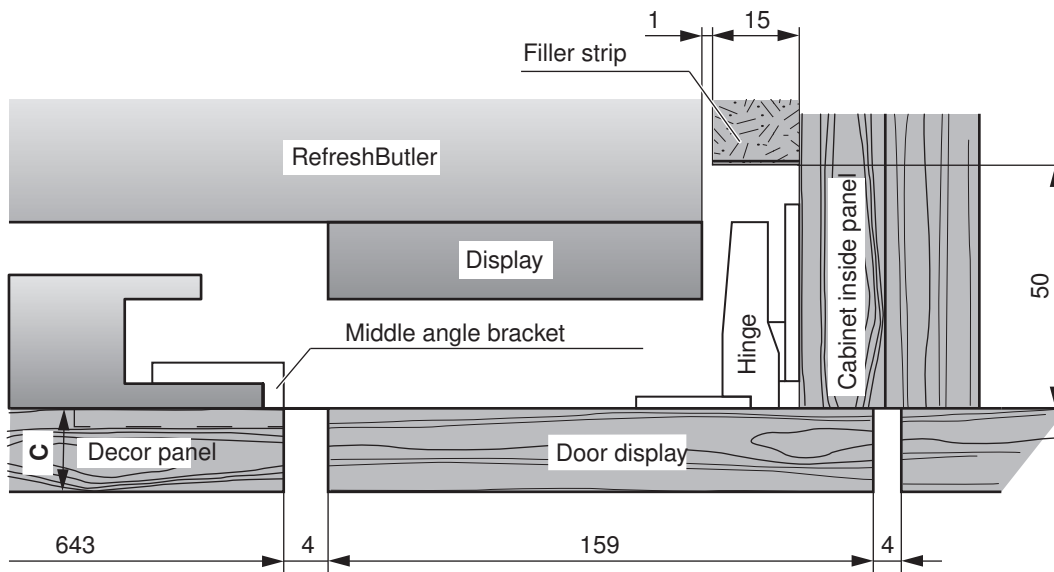
Detail W



Variants	Thickness of decor panel C	Min. gap dimension H
Permissible	<10 mm	4 mm
Permissible	10-19 mm	$((C-10)/1.5) + 3$
Recommended	16 mm	7 mm
Not recommended	>19 mm	$(3*(C-20)/2) + 11$

Decor panel thicknesses over 19 mm are not recommended, as gap dimension H also increases with increasing decor panel thickness C. An installation test must be performed in any case.

Detail X





10 Accessories

10.1 Washing machines

Designation	Remarks	Article no.	Suitable for use with following models
Convenient storage drawer		W31357	AdoraWash V4000, V6000
4 m drain hose set	can be shortened: max.permissible drain height ≤ water outlet out of appliance ~80 cm	W33543	AdoraWash V2000–V6000
Hose support	1 hose support is included in the 4 m drain hose set	80868039	AdoraWash V2000–V6000
Set containing long hoses	3 m Aquastop hose and 4 m drain hose	1012989	AdoraWash V2000–V6000

10.2 Tumble dryers

Designation	Remarks	Article no.	Suitable for use with following models
Convenient storage drawer		W31357	AdoraDry V2000, V6000
Ventilation grille		P33002	AdoraDry V2000, V6000
Fixing discs	1 set of 2 discs	81131132	AdoraDry V2000, V6000
Combi drainage set		W55969	AdoraDry V2000, V6000
Condensate drain kit	1 kit is supplied with the appliance.	W56298	AdoraDry V2000, V6000
Non-return valve set		W50028	AdoraDry V2000, V6000
Drying basket set		W55884	AdoraDry V2000, V6000
Tower panel	1 tower panel is supplied with the appliance.	W55687	AdoraDry V2000, V6000
130° door hinge	for niche installation	W54086	AdoraDry V2000, V6000
Set containing connection for sink drain trap		W53070	AdoraDry V2000, V6000

10.3 Textile care system

Designation	Remarks	Article no.	Suitable for use with following model
1 clothes hanger	5 clothes hangers are supplied with the appliance.	W54789	RefreshButler V6000
1 basket	1 basket is supplied with the appliance. Appliance can accommodate max. 2 baskets.	W56746	RefreshButler V6000
1 durgol swiss steamer descaler	1 bottle of descaler is supplied with the appliance.	B28006	RefreshButler V6000

10.4 Combined washer-dryer

Designation	Remarks	Article no.	Suitable for use with following model
Accessories set for decor panel, cpl., left/right	1 set is supplied with the appliance.	1022304	Adorina CS
4 m drain hose set		1034496	Adorina CS
Closing covers, decor panel		1022309	Adorina CS

11 V-ZUG-Home

11.1 Internet access



Internet access is required for use of V-ZUG-Home.

11.2 Scope of delivery

For appliances with V-ZUG-Home, the V-ZUG-Home module is integrated in the appliance and ready for operation. Models with a V-ZUG-Home module are connected to the home network via WLAN/Wi-Fi.

- Washing machines: 11021, 11023, 11025
- Tumble dryers: 12017, 12019

11.3 Connecting to the home network



Establishing a connection between an appliance and a wireless network is described in the operating instructions for «V-ZUG-Home». These can be found at home.vzug.com.



Index

A

Adora convenient storage drawer	
Dimensions.....	25
Adora tumble dryers	
Dimensions.....	17
Adora washer-dryer tower (WTS)	
Room climate.....	27
Ventilation.....	27
Adora washing machines	
Dimensions.....	14
AdoraDry tumble dryers	
Ventilation concepts	18

C

Combined washer-dryer	
Accessories	36
Country groups	2

E

Electrical connections	
Fault current	6
General operating conditions.....	6
Residual current device (RCD).....	6
Explanation of terms.....	3

F

Fault current	6
---------------------	---

N

Notes	39
-------------	----

P

Plumbing in	
Combined washer-dryer	12
Concealed drain-trap.....	11
Washing machines	7
Positioning	15, 19, 28, 31
Protection type.....	6
Protection type IP	6

R

RefreshButler	
Dimensions.....	29
Residual current device (RCD).....	6

S

Supplementary documents.....	2
Symbols used.....	2

T

Textile care system	
Accessories	36
Tumble dryers	
Accessories	36

U

Useful links	2
--------------------	---

V

Validity	5
Ventilation.....	18

W

Washing machines	
Accessories	36
Installation	15



12 Notes

CONTACT IN SWITZERLAND

V-ZUG Ltd
Industriestrasse 66
CH-6302 Zug/Switzerland
www.vzug.com

Service & Support International
Tel. +41 58 767 67 78
service-support@vzug.com

