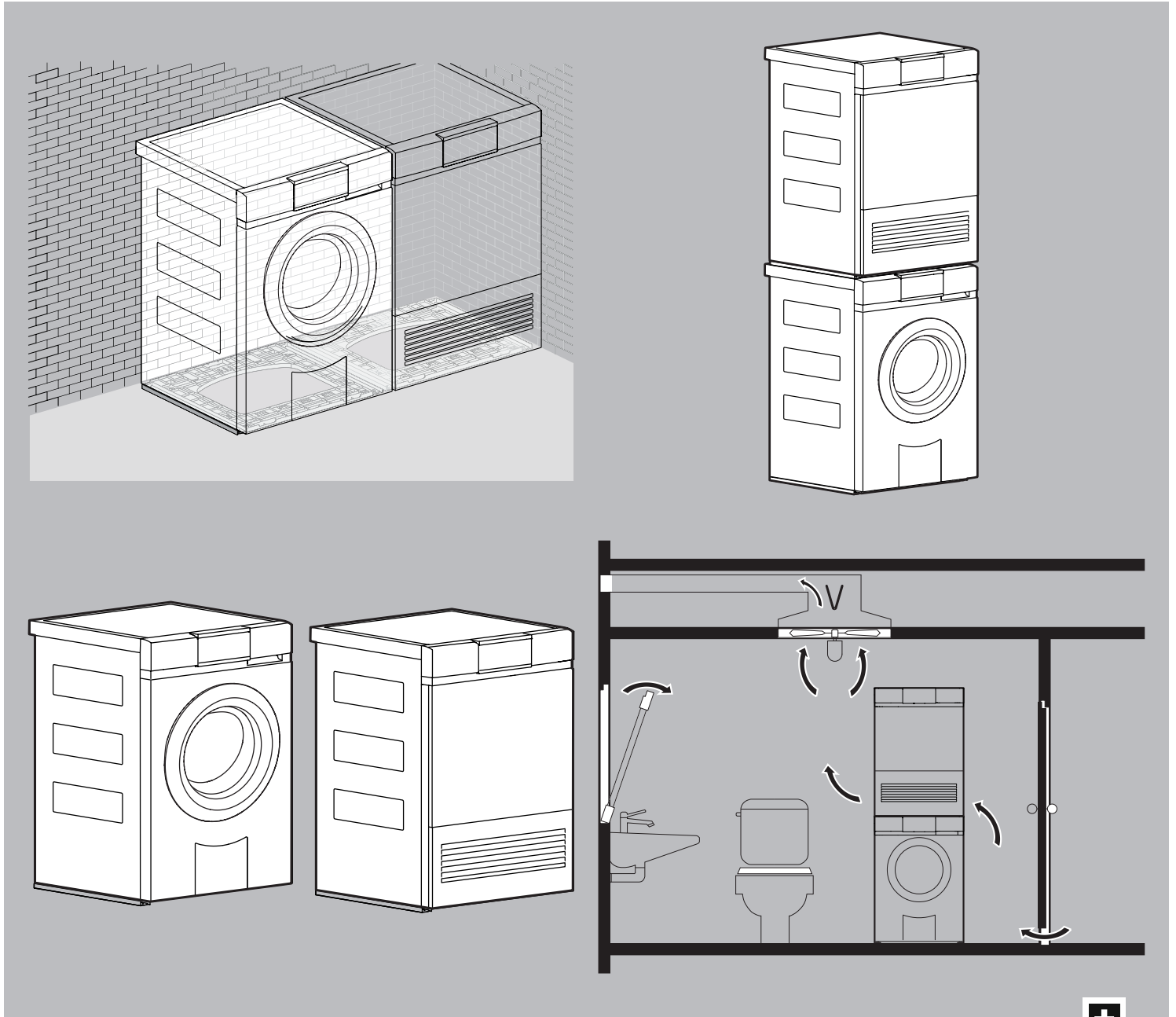




Swiss perfection for your home



Laundry room appliances

Australia collection

Planning aid

2017/2018



Note on content

Please note

This planning aid applies to the specified model numbers only. Older planning aids for earlier generation models may be requested in electronic form from our Customer Services.

This planning aid is not to be used as installation instructions! The regulations and instructions binding for the appliance installation are to be obtained from the installation instructions packed with the appliances. The installation instructions can also be downloaded from the internet from www.vzug.com/b2b.

Modifications

Text, diagrams and data correspond to the technical standard of the appliances at the time this planning aid went to press. The right to make technical modifications for the purpose of the further development of the appliances is reserved. The German, English, French and Italian versions are binding. V-ZUG accepts no liability for translations in other languages.

Symbols used

Denotes important safety precautions.
 Failure to observe said precautions can result in injury or in damage to the appliance or fittings!

► Indicates an instruction.

• Indicates a list.

Information and precautions that should be observed.

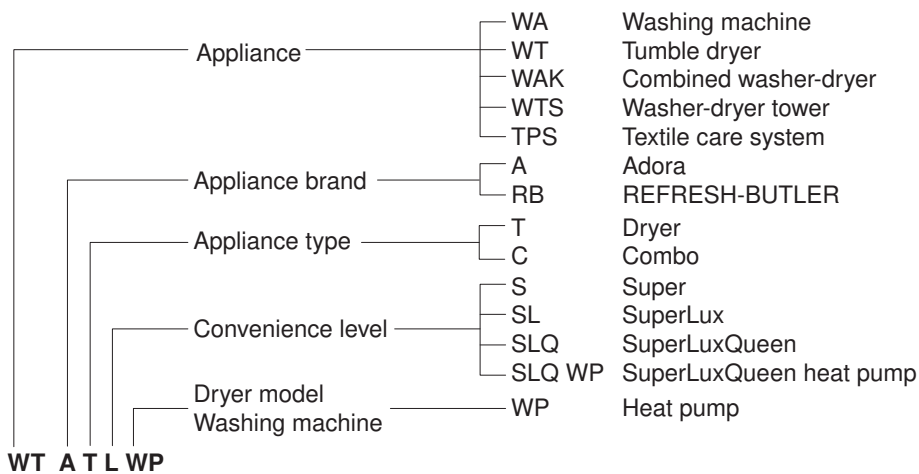
Supplementary documents

In this planning aid, occasional reference is made to supplementary documents. These documents can be requested from the Head Office in Zug by sending an e-mail to service-support@vzug.com.

Useful links

- www.vzug.com
- www.vzug.com/b2b
- www.lifestyle.vzug.ch

Explanation of terms





Contents

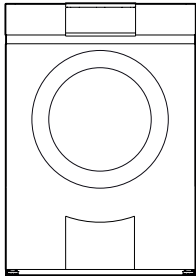
1 Appliance overview	4
1.1 Adora washing machines	4
1.2 Adora tumble dryers	4
1.3 Adora washer-dryer towers	4
1.4 REFRESH-BUTLER – the textile care system	5
2 Electrical connections	6
2.1 General operating conditions	6
2.2 Using residual current devices in house wiring system / fault current	6
3 Plumbing in	7
3.1 General operating conditions	7
3.2 Washing machines	7
3.3 Tumble dryers	8
3.4 Connection to GEBERIT concealed drain-trap	9
4 Washing machines	10
4.1 Electrical connection data	10
4.2 Dimensions	10
4.3 Installation	11
4.4 Positioning	11
5 Tumble dryers	13
5.1 Electrical connection data	13
5.2 Dimensions	13
5.3 Installation	14
5.4 Positioning	15
6 Adora washer-dryer towers	17
6.1 Installation	17
6.2 Positioning	17
7 REFRESH-BUTLER – the textile care system	19
7.1 Electrical connection data	19
7.2 Dimensions	19
7.3 Installation	20
7.4 Positioning	21
8 Accessories	26
9 Notes	27



1 Appliance overview

This planning aid only applies to the appliances included in this document with the corresponding product families (model numbers). Special documentation in the relevant local languages on how to install and operate the appliances is supplied with the appliances.

1.1 Adora washing machines



Front loaders

Designation

Adora SLQ WP

Adora SLQ

Adora SL

Model

11014

11013

11012

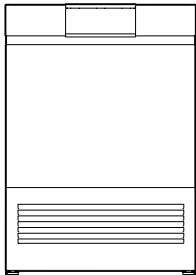
Type

WAASLQWPZ

WAASLQZ

WAASLZ

1.2 Adora tumble dryers



Condenser dryers with heat pump

Designation

Adora TSLQ WP

Adora TS WP

Model

12006

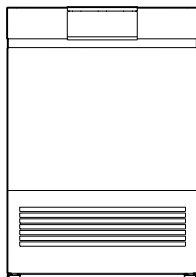
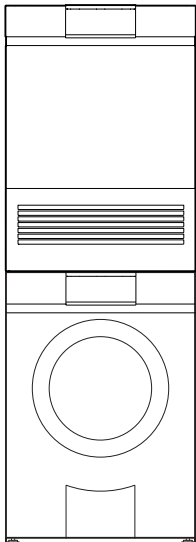
12005

Type

WTATSLQWPZ

WTATSWPZ

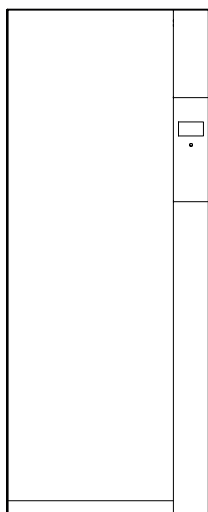
1.3 Adora washer-dryer towers



The Adora washing machines can be combined with the Adora tumble dryers to form a washer-dryer tower.



1.4 REFRESH-BUTLER – the textile care system



Designation REFRESH-BUTLER
Model **14002**
Type TPSRBSLWPZ



2 Electrical connections



Electrical connections are to be established by appropriately trained personnel.

General operating conditions



Detailed information on the electrical connection data can be found at the beginning of each section.

- The appliances are designed for use up to a max. altitude of 2000 m above sea level.

2.1 General operating conditions

Value	Nominal value	Minimum	Maximum
Voltage	230 V	207 V	253 V
	400 V	360 V	440 V
Frequency	50 Hz sinusoidal	49 Hz sinusoidal	51 Hz sinusoidal

Short duration frequency variation in the mains:

± 1 Hz

Long duration frequency stability in the mains (for synchronous clocks):

± 10 ppm

- Protection type IP: IP-X4

2.2 Using residual current devices in house wiring system / fault current

Washing machines have an inherently high fault current. The values can be affected by various factors and vary widely. In accordance with the norm, fault currents of up to approximately 10 mA per appliance are permissible. The values are measured in the warm operating state.

If residual current devices (RCDs) are used in the house wiring system, we recommend that the above-mentioned appliances have their own RCD protection, separate from the power supply for the rest of the system. The tripping current of the RCD should be selected to be 30 mA or higher.

3 Plumbing in

3.1 General operating conditions

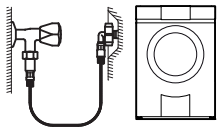
Value		Nominal value	Minimum		Maximum	
			WA/WT	WAK	WA/WT	WAK
Mains pressure (0.1 MPa = 1 bar)	static	0.3 MPa	0.1 MPa	0.05 MPa	1.0 MPa	0.9 MPa
	flowing	–	0.08 MPa	–	1.0 MPa	0.9 MPa
Water hardness*		–	0.5 °fH	0.5 °fH	50 °fH	50 °fH
Water inlet temperature	cold water	–	5 °C	5 °C	35 °C	35 °C
Water inlet		G $\frac{3}{4}$ "	–	–	–	–
Drainage cross-section		ø internal 57 mm (on-site)	ø internal min. 19 mm	ø internal min. 19 mm	–	–

* For special cases with water hardness in excess of 50 °fH, an external water softener is recommended.

3.2 Washing machines

Comply with the regulations laid down by the local water supply authority for the layout of the supply pipe and drainage.

Water inlet



Appliance
 Adora SLQ WP, SLQ, SL, S, L

Hose
 Inlet hose with Aquastop

Length
 1.25 m

Connection
 G $\frac{3}{4}$ "

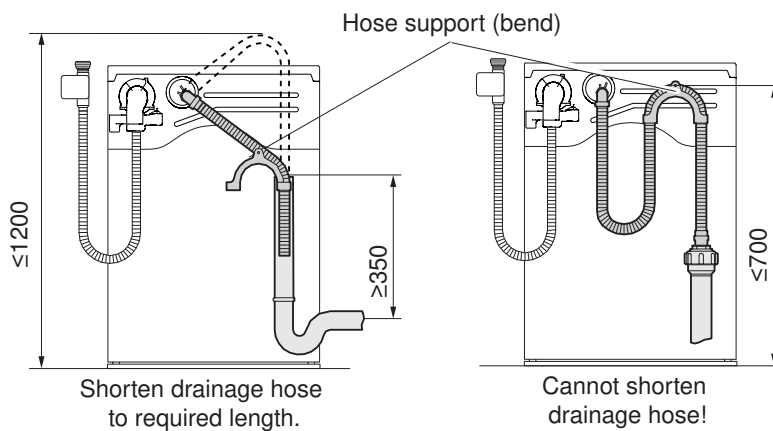
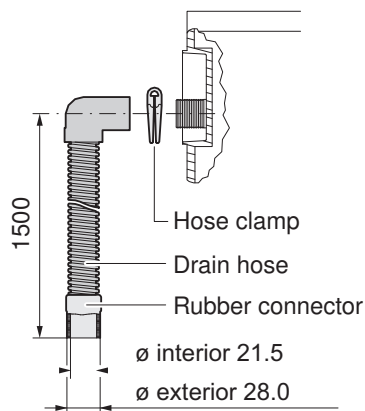
Cold water only G $\frac{3}{4}$ ", optimal working pressure 0.3 MPa (3 bar).

Possible pressure range: 0.1–1.0 MPa (1–10 bar).

Connection to a mixer tap or a continuous flow heater is not permitted!

Water outlet

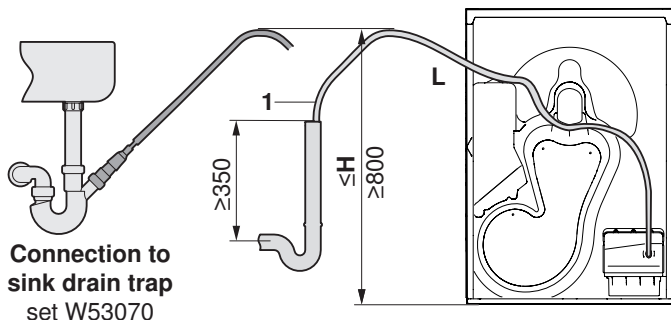
- Pumping height of drain pump, max. 1.2 m from the floor



Appliance	Hose	Length	Connection
Adora SLQ WP, SLQ, SL, S, L	Corrugated plastic hose	1.5 m	ø internal 21.5 mm

3.3 Tumble dryers

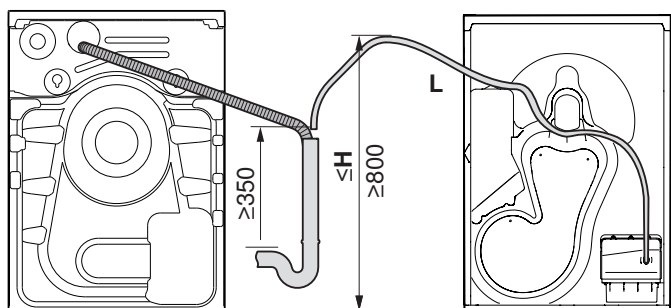
Direct drainage with transition piece



Connection to sink drain trap set W53070

- 1 Condensate drain kit W56298 (series standard)
 Tumble dryer Adora TSLQ WP, TS WP, TL WP
 Pumping height **H** of drain pump: max. 1.2 m from floor
 Hose length **L** from pump to **H**: max. 1.5 m (backflow volume)

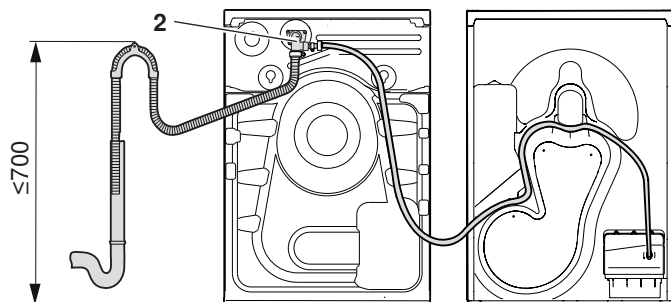
Washer-dryer combination with separately routed drainage pipe



Tumble dryer Adora TSLQ WP, TS WP, TL WP
 Washing machine Adora SLQ WP, SLQ, SL, S, L

Pumping height **H** of drain pump: max. 1.2 m from floor
 Hose length **L** from pump to **H**: max. 1.5 m (backflow volume)

Adora washer-dryer combination installed side by side with combi drainage set

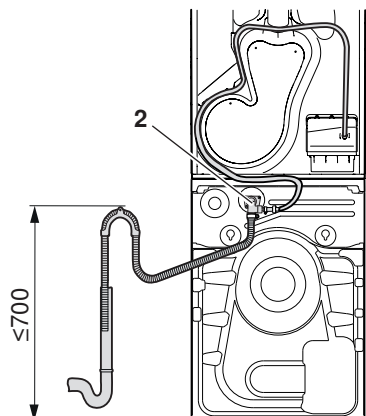


- 2 Combi drainage set W55969, see Accessories (see page 26)
 Tumble dryer Adora TSLQ WP, TS WP, TL WP
 Washing machine Adora SLQ WP, SLQ, SL, S, L
 ► Fix hose end with hose support



Secure drain hose on tumble dryer so that it cannot kink.

Adora washer-dryer tower with combi drainage set



- 2 Combi drainage set W55969, see Accessories (see page 26)
 Tumble dryer Adora TSLQ WP, TS WP, TL WP
 Washing machine Adora SLQ WP, SLQ, SL, S, L
 ► Fix hose end with hose support



3.4 Connection to GEBERIT concealed drain-trap

The following details refer to the GEBERIT documentation current at the time this planning aid went to press. V-ZUG does not supply or install concealed drain-traps. There must be a separate concealed drain-trap for each appliance. Unused connections to the concealed drain-trap must be sealed off. Secure drain hoses with a clamp (not included in the scope of delivery).



1 Failure to follow the instructions will result in water flowing out of the washing machine into the tumble dryer.

Tumble dryer with combi drainage set

2 The combi drainage set permits the water outlet of a washing machine and a tumble dryer into one water outlet (concealed drain-trap). The water from the tumble dryer is pumped with the pump into the water outlet of the washing machine. A non-return flap valve is located in the water outlet.

Tumble dryer without combi drainage set

3 If an Adora tumble dryer is combined with the appropriate washing machine in a washer-dryer tower, the following concealed drain-trap can be used: drain-trap GEBERIT UP (GEBERIT art. no. 152.237.00.1) with additional ø 10 mm hose nozzle for connecting the tumble dryer.

Washing machine and tumble drying installed side by side

4 If a tumble dryer is installed side by side with the appropriate washing machine, two of the following concealed drain-traps must be used: drain-trap GEBERIT UP (GEBERIT art. no. 152.236.00.1).

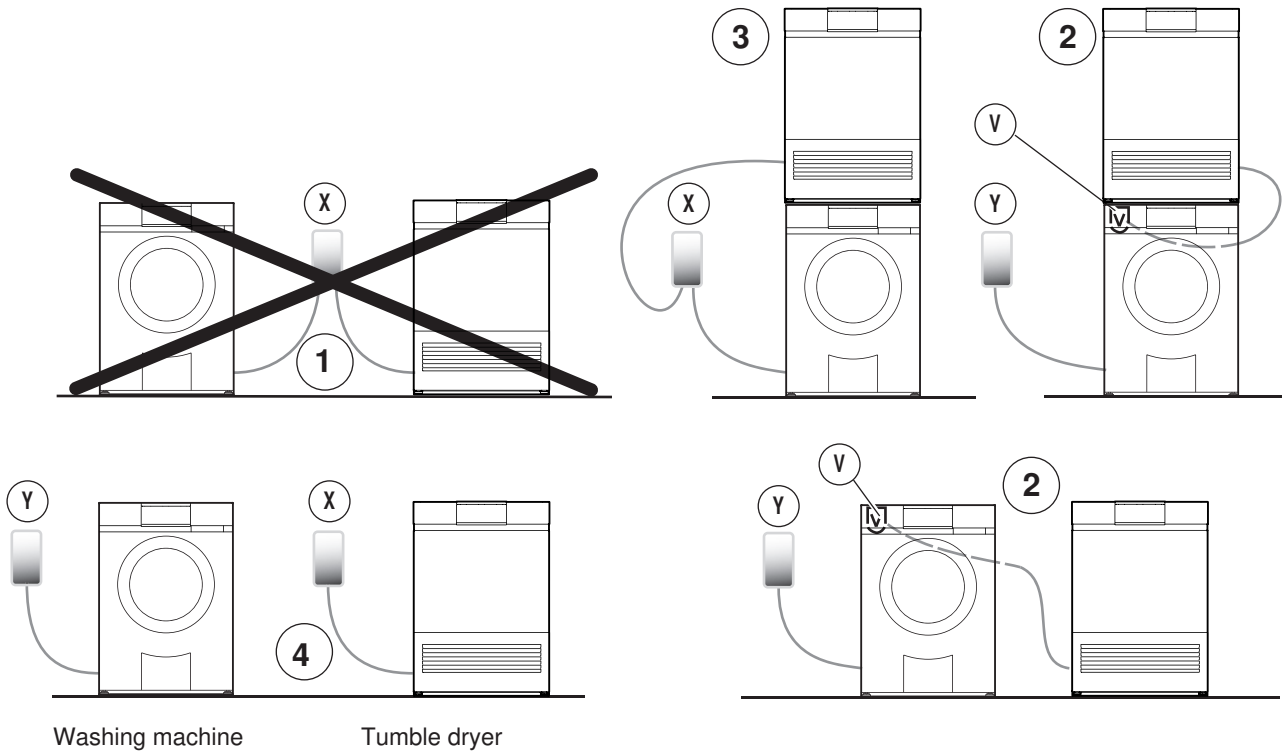


The combi drainage set (V) may be used if there is only one concealed drain-trap (X, Y).

V Combi drainage set
 W55969

X Geberit concealed drain-trap
 152.237.00.1

Y Geberit concealed drain-trap
 152.236.00.1





4 Washing machines

4.1 Electrical connection data

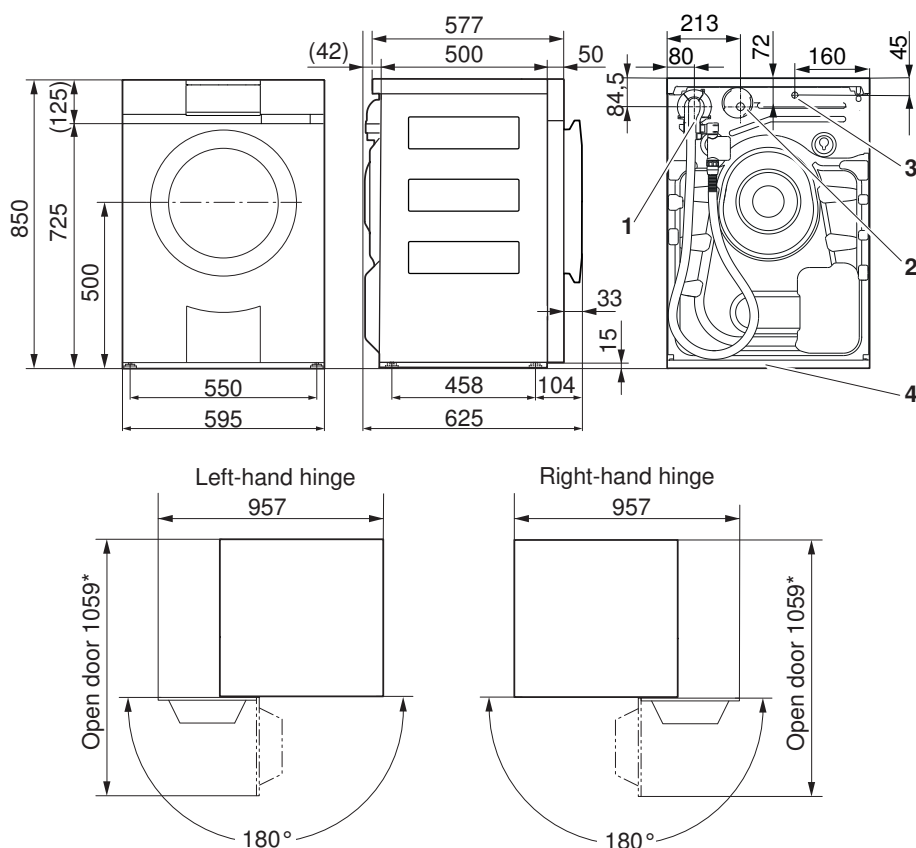
Appliance	Mains connection	Rated load	Fuse	Mains cable
Adora SLQ WP, SLQ, SL	220–240 V~ 50 Hz	2300 W	10 A	with plug 1.8 m

4.2 Dimensions



The stated dimensions do not include distances from walls. To prevent disturbing noise and vibration the appliances must not come into contact with the surrounding walls of their installation location.

Adora SLQ WP (11014), Adora SLQ (11013), Adora SL (11012)



- 1 Cold water connection; inlet hose with Aquastop, length: 1.25 m, G $\frac{3}{4}$ "
 - 2 Drainage hose connection with elbow, length: 1.5 m
Pumping height of drain pump: 1.2 m
 - 3 Electrical connection cable outlet, length: 1±8 m
 - 4 Installation plate
- * In order that the detergent dispenser drawer can be used without obstruction and be taken out for cleaning, the clearance space must be observed across the entire front of the appliance.



4.3 Installation

General condition

All Adora appliances are delivered with mounted transport lock. It must be removed when the appliance is installed. Damage to the appliance and surrounding equipment or furniture cannot otherwise be ruled out! Any costs incurred will not be borne by the appliance manufacturer.

All Adora appliances must be mounted on the installation plate supplied. Only in this case is problem-free operation guaranteed. The appliances can be levelled by means of adjustable feet.



The appliance actively balances unbalanced loads during spinning. To ensure problem-free operation, no soft, sound insulating underlay such as the Adorina WM ISO set may be used.

Room temperature

Permissible room temperature: 5 °C to 35 °C

4.4 Positioning



To prevent disturbing noise and vibration the appliance must not come into contact with the surrounding walls of its installation location. It is imperative to comply with the supplied installation instructions for positioning the appliance.

- ▶ The appliance must stand level and stable. Check with a spirit level.
- ▶ The appliance must not «wobble» in the case of a crosswise load.

Installation plate (W40653)

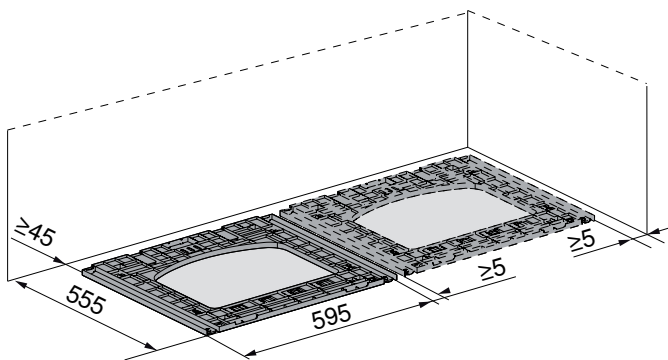
The installation plate is used as an installation aid and its use is obligatory. It can be fixed to the floor with double-sided adhesive tape or it can be screwed to the floor.

If a room has underfloor heating the installation plate may only be adhered. The fixing material is included in the scope of delivery.

Free-standing position



If a tumble dryer and a washing machine are positioned side by side, keep a distance of min. 5 mm between the installation plates and to the walls at the side and min. 45 mm to the back wall. The installation plates for the washing machine and tumble dryer are the same.

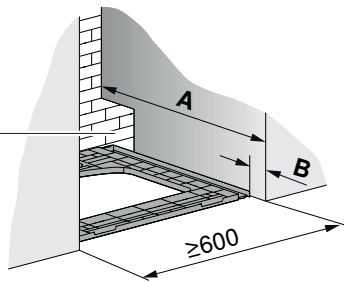


Dimensions 45 and 555 only apply if no plumbing fittings are to be installed behind the appliance.

Positioning in a niche

Cut-out for lateral connection, to the left or right $\geq 100 \times 100$ mm

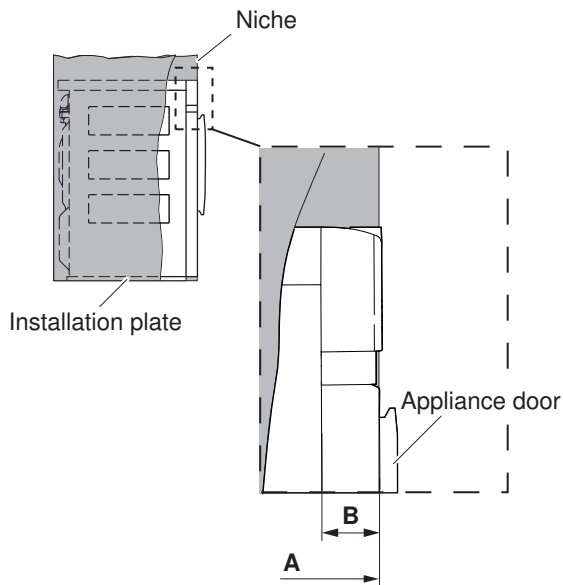
Niche height ≥ 860 mm!



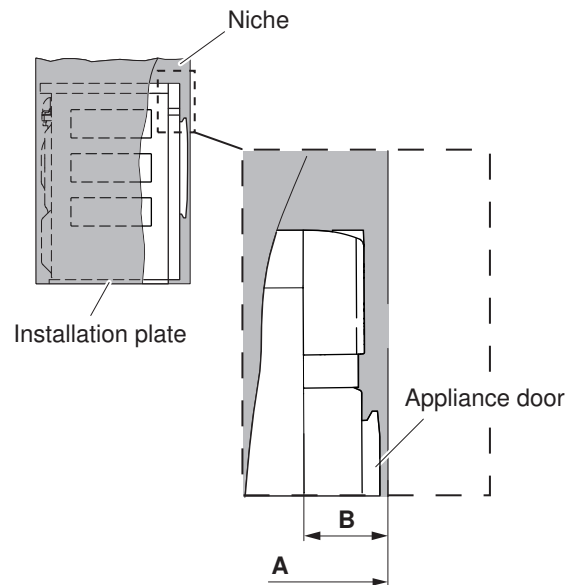
► Centre the installation plate in the niche.

Variant	Positioning	Niche depth A	Installation offset for installation plate B
1	Appliance door projecting from niche front	≥ 605 mm	50 mm
2	Appliance door recessed behind niche front	≥ 645 mm	90 mm

Variant 1



Variant 2





5 Tumble dryers

The following tumble dryers are condenser dryers with a heat pump. The process circuit of the heat pump dryer is completely closed. The hot humid air is cooled and condensed in the 1st heat exchanger and then re-heated in the 2nd heat exchanger.

The heat pump dryer has roughly half the energy consumption of conventional tumble dryers, a higher air flow rate and a lower drying temperature. This results in particularly gentle drying, especially suitable for heat-sensitive textiles such as synthetics and blended fabric. The heat pump dryers satisfy the stringent requirements of the Minergy (minimum energy) standard.

5.1 Electrical connection data

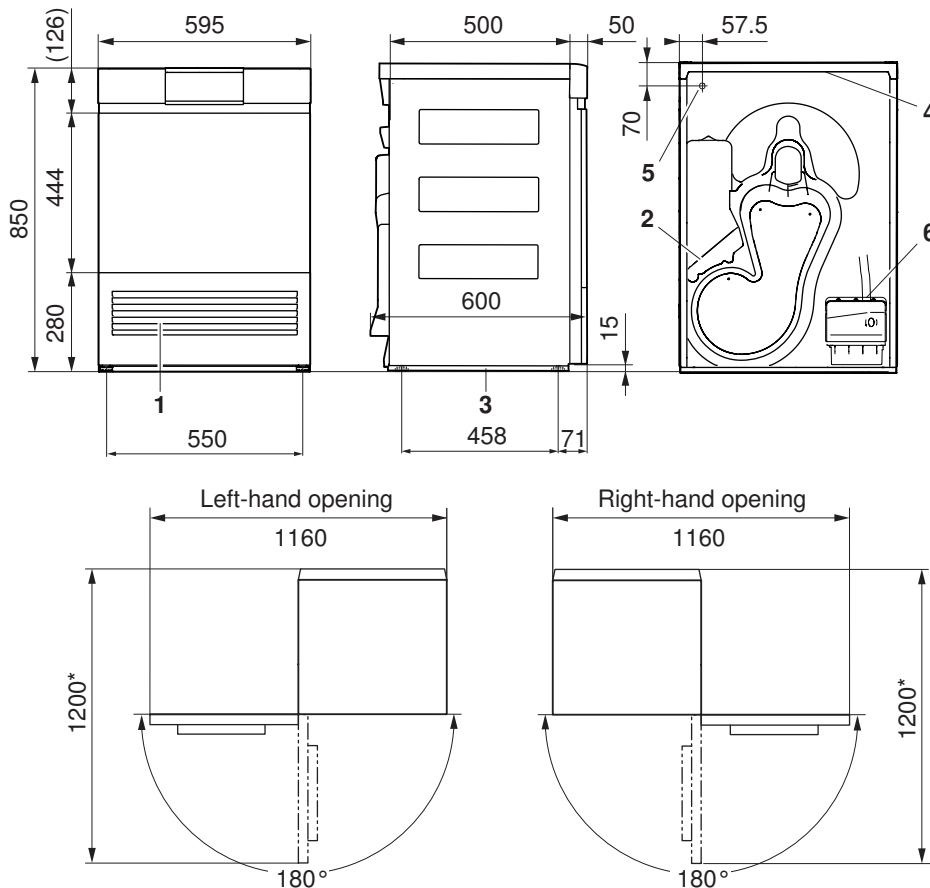
Appliance	Mains connection	Rated load	Fuse	Mains cable
Adora TSLQ WP, TS WP	220–240 V~ 50 Hz	1200 W	10 A	with plug 1.8 m

5.2 Dimensions



The stated dimensions do not include distances from walls. To prevent disturbing noise and vibration the appliances must not come into contact with the surrounding walls of their installation location.

Adora TSLQ WP (12006), Adora TS WP (12005)



- 1 Cooling air inlet
- 2 Cooling air outlet
- 3 Installation plate
- 4 Tower panel
- 5 Electrical connection cable outlet, length: 1.8 m, with plug
- 6 Condensate drain
 drainage connection: $\varnothing 10.5$ mm
 pumping height for drain pump: 1.2 m
 condensate drain kit, length: 2 m

* Clearance space across the whole width of the front

5.3 Installation

General condition



To prevent an impermissible rise in temperature and humidity, the room must be min. 20 m³ in size and sufficiently large inlet and outlet openings to an adjacent room or to the outside must be available (open windows, ventilation grilles or slots in the door, ventilation systems). On the other hand there is the possibility of using the waste heat.

Normal bathroom extractor fans are not adequate for optimal room ventilation. They switch off with the light after a preset after-running time.

Through the heat recovery of the heat pump dryer, heat dissipation is greatly reduced, resulting in the imposition of far fewer demands on the installation room. Heat pump dryers affect their environment like a heater blower with a heat output of approx. 700 W.

All Adora appliances must be mounted on the installation plate supplied. Only in this case is problem-free operation guaranteed. The appliances can be levelled by means of adjustable feet.

The room must be kept free of dust and fluff.

Room climate and ventilation

Room temperature

Permissible room temperature: 5 °C to 35 °C

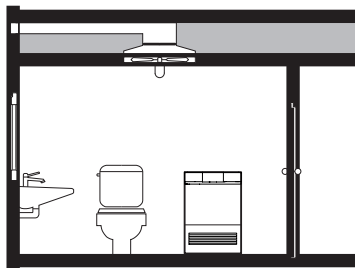


The room temperature should be kept as low as possible to ensure the economic running of the appliance. Critical is a room temperature of 35 °C and over. This prolongs the duration of the programmes. High temperatures can also result in error messages and impair the service life of the appliance.

Ventilation

As a general rule, rooms containing a heat pump dryer should be ventilated as these produce some humidity. For each heat pump dryer, the passage of exhaust and intake air must be guaranteed. EXHAUST AIR requires INTAKE AIR. At least the same amount of air must be supplied to as is being extracted from the room.

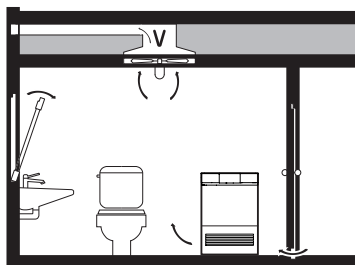
Ventilation concepts



Installation room volume ≥ 20 m³, room kept closed:

Condensation may form on thermal bridges!

The room must be aired (by opening the door to or a window in the room) between consecutive drying programmes!



Installation room volume < 20 m³:

There must be air inlet and outlet openings (open window, ventilation grille or slits in the door, ventilation system) to the adjacent room or to the outside.

Operation is trouble-free with an air circulation rate from 15 m³/h.

Smaller rooms such as storage rooms, toilets and showers are not suitable for the installation of a tumble dryer.

An exhaust air fan can be controlled from the tumble dryer over the corresponding additional module. In case of doubt, have the chosen arrangement checked out by a ventilation technician. See Accessories (see page 26).

5.4 Positioning



To prevent disturbing noise and vibration the appliance must not come into contact with the surrounding walls of its installation location. It is imperative to comply with the supplied installation instructions for positioning the appliance.

- ▶ The appliance must stand level and stable. Check with a spirit level.
- ▶ The appliance must not «wobble» in the case of a crosswise load.

Installation plate (W40653)

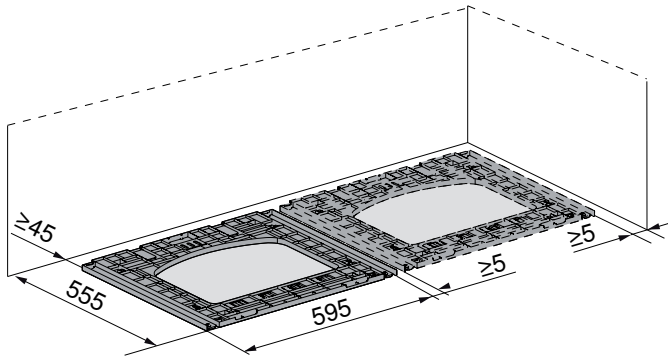
The installation plate is used as an installation aid and its use is obligatory. It can be fixed to the floor with double-sided adhesive tape or it can be screwed to the floor.

If a room has underfloor heating the installation plate may only be adhered. The fixing material is included in the scope of delivery.

Free-standing position



If a tumble dryer and a washing machine are positioned side by side, keep a distance of min. 5 mm between the installation plates and to the walls at the side and min. 45 mm to the back wall. The installation plates for the washing machine and tumble dryer are the same.



Dimensions 45 and 555 only apply if no plumbing fittings are to be installed behind the appliance.

Positioning in a niche

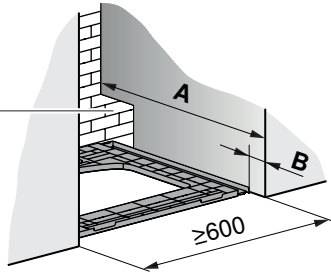


If a tumble dryer is installed in a niche, a 130° door stop must be provided (article no. W54086).



If the niche is fitted with a door, it must be ensured that the door is left open for the duration of the process. The niche door and the appliance door must be hinged on the same side.

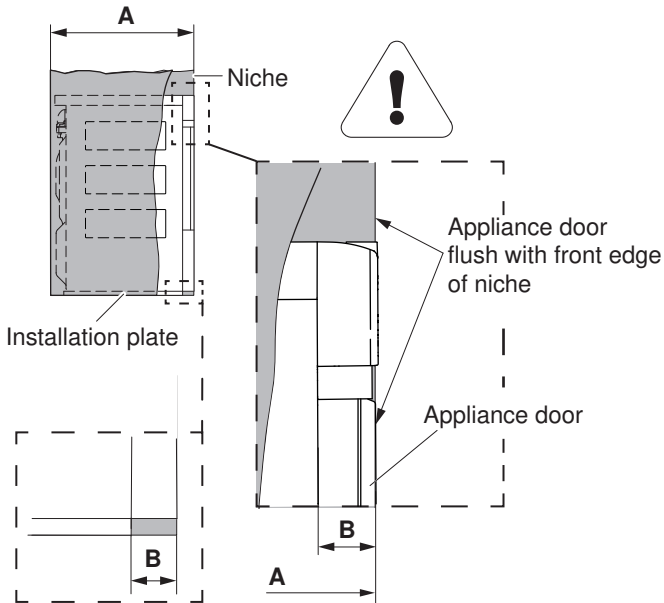
Opening for lateral connections left or right $\geq 100 \times 100$ mm
 Niche height ≥ 860 mm



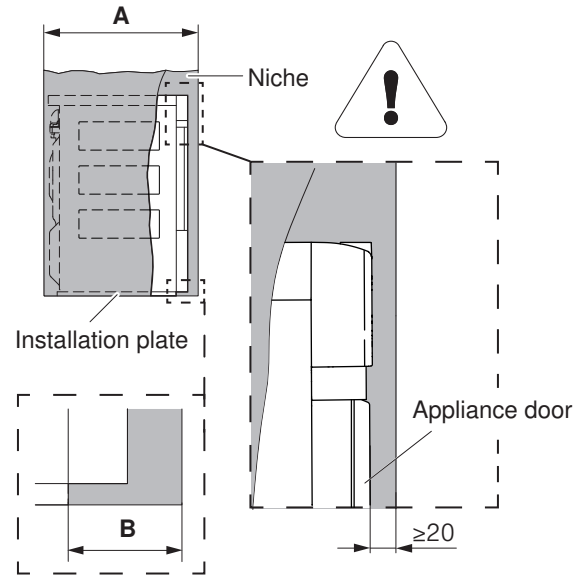
► Centre the installation plate in the niche.

Variant	Positioning	Niche depth A	Installation offset for installation plate B
1	Appliance door projecting from niche front	≥ 605 mm	50 mm
2	Appliance door recessed behind niche front	≥ 645 mm	90 mm

Variant 1



Variant 2



The heat given off from the rear of the appliance must be conducted out of the niche. By means of 2 ventilation grilles P33002 or a ventilation cut-out of min. 400 cm² in the niche cover ensure there is a supply of fresh air via the connection opening.



The condensed water hose must not be crushed between the rear of the appliance and the building wall.

6 Adora washer-dryer towers



For safety reasons, tumble dryers standing upon washing machines are never to be mounted and operated without the associated installation plate.

Disconnection points must be provided for the water supply and electrical connection, which must be capable of being actuated without moving the appliances.

6.1 Installation

Room climate and ventilation

Room temperature

Permissible room temperature:

Tower with tumble dryer: 5 °C to 35 °C



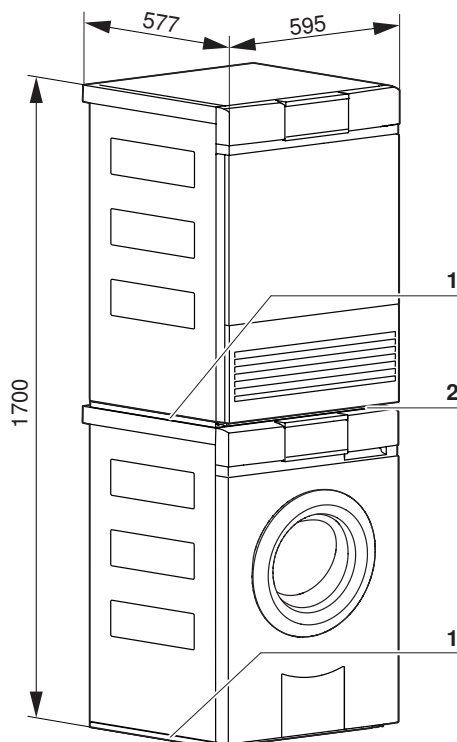
The room temperature should be kept as low as possible to ensure the economic running of the appliance. A room temperature of over 35 °C is critical and extends the duration of the individual programmes. High temperatures can also result in error messages and impair the service life of the appliance.

Ventilation

Refer to the section on the relevant tumble dryer. See Room climate and ventilation (see page 14). See the installation instructions for further instructions.

6.2 Positioning

Free-standing in room



- 1 Installation plate
- 2 Tower panel (when delivered, attached to the cover plate at the back of the tumble dryer)

Installation in a niche



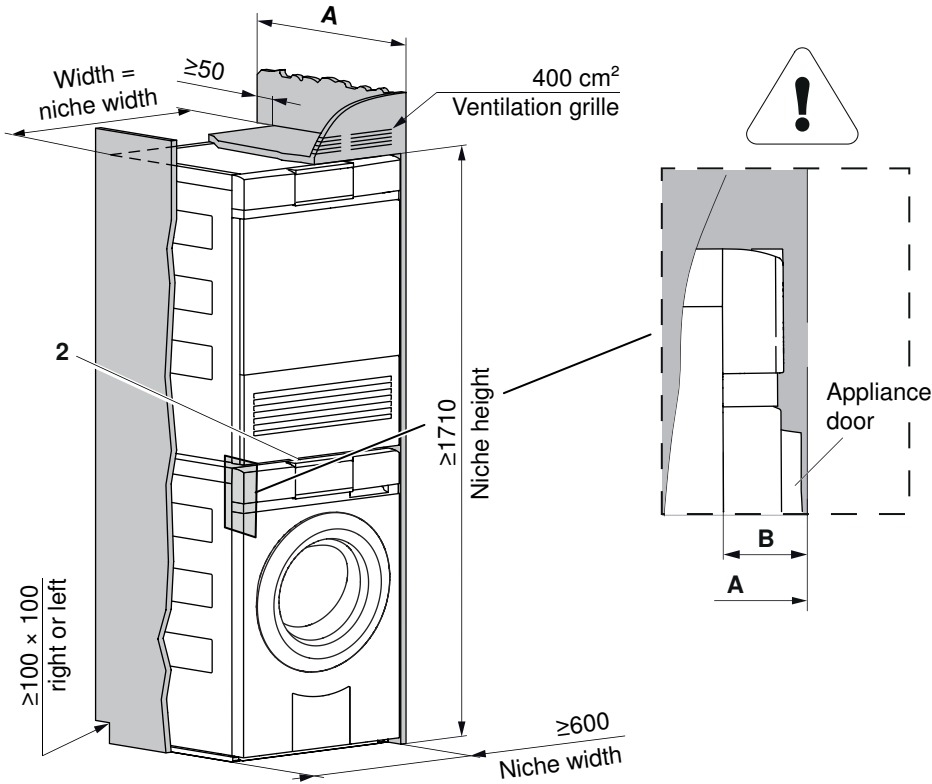
If a tumble dryer is installed in a niche, a 130° door stop must be provided (article no. W54086).



If the niche is fitted with a door, it must be ensured that the door is left open for the duration of the process. The niche door and the appliance door must be hinged on the same side.



The heat given off from the rear of the appliance must be conducted out of the niche from above. Mount ventilation grilles over the niche and ensure there is a supply of fresh air via the connection opening.



Variant	Positioning	Niche depth A	Installation offset for installation plate B
1	Door of washing machine projecting from niche front	≥605 mm	50 mm
2	Door of washing machine recessed behind niche front	≥635 mm	80 mm

7 REFRESH-BUTLER – the textile care system

7.1 Electrical connection data

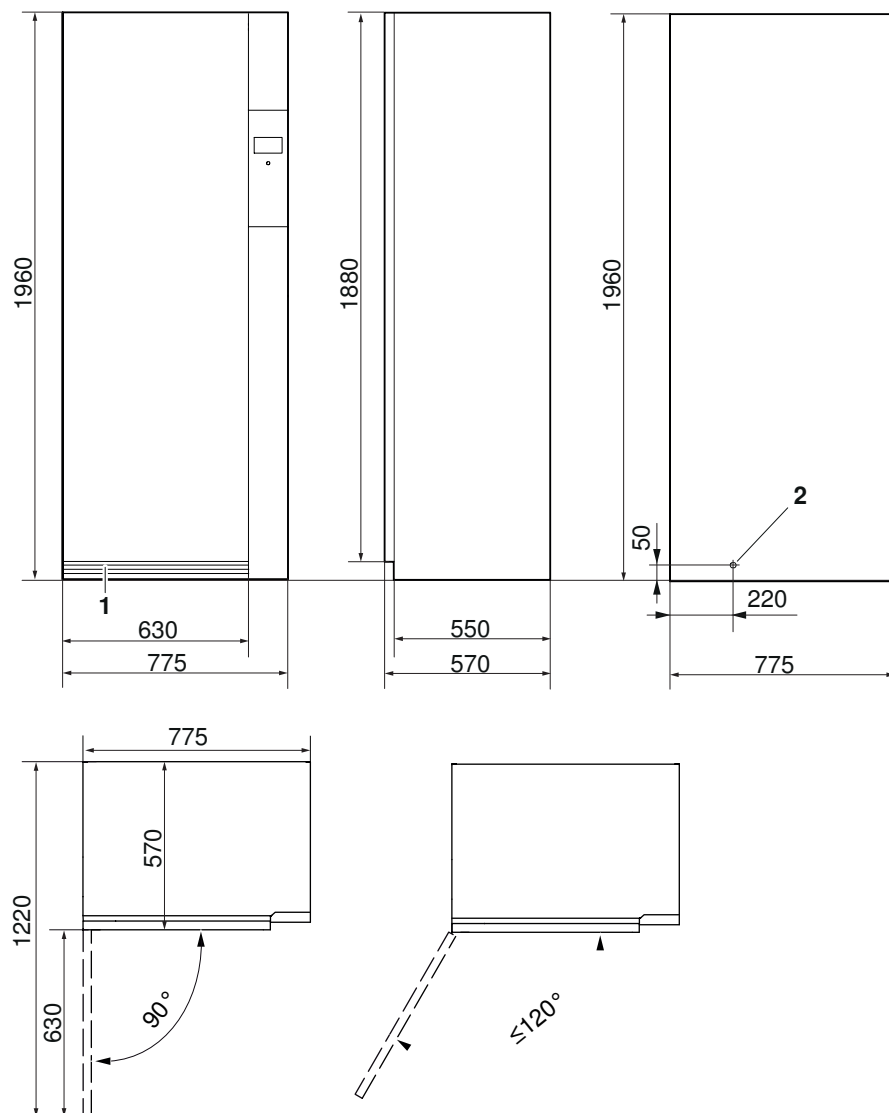
Appliance	Mains connection	Rated load	Fuse	Mains cable
REFRESH-BUTLER SL WP	220–240 V~ 50 Hz	1200 W	10 A	with plug, 2.5 m

7.2 Dimensions



The stated dimensions do not include distances from walls. To prevent disturbing noise and vibration the appliances must not come into contact with the surrounding walls of their installation location.

REFRESH-BUTLER (14002)



- 1 Cooling air inlet
- 2 Electrical connection cable outlet, length: 2.5 m, with plug

7.3 Installation

General condition



To prevent an impermissible rise in temperature and humidity, the room must be min. 20 m³ in size and sufficiently large inlet and outlet openings to an adjacent room or to the outside must be available (open windows, ventilation grilles or slots in the door, ventilation systems). On the other hand there is the possibility of using the waste heat.

Normal bathroom extractor fans are not adequate for optimal room ventilation. They switch off with the light after a preset after-running time.

Through the heat recovery of the heat pump dryer, heat dissipation is greatly reduced, resulting in the imposition of far fewer demands on the installation room. Heat pump dryers affect their environment like a heater blower with a heat output of approx. 700 W. The appliance can be levelled by means of adjustable feet. The room must be kept free of dust and fluff.

Room climate and ventilation

Room temperature

Permissible room temperature: 5 °C to 30 °C



The room temperature should be kept as low as possible to ensure the economic running of the appliance. Critical is a room temperature of 30 °C and over. This prolongs the duration of the programmes. High temperatures can also result in error messages and impair the service life of the appliance.

Ventilation

As a general rule, rooms containing a textile care appliance must be ventilated as these produce some humidity. For each heat pump dryer, the passage of exhaust and intake air must be guaranteed. EXHAUST AIR requires INTAKE AIR. At least the same amount of air must be supplied to as is being extracted from the room. If the room is kept closed, the installation room volume must be min. 20 m³.

7.4 Positioning



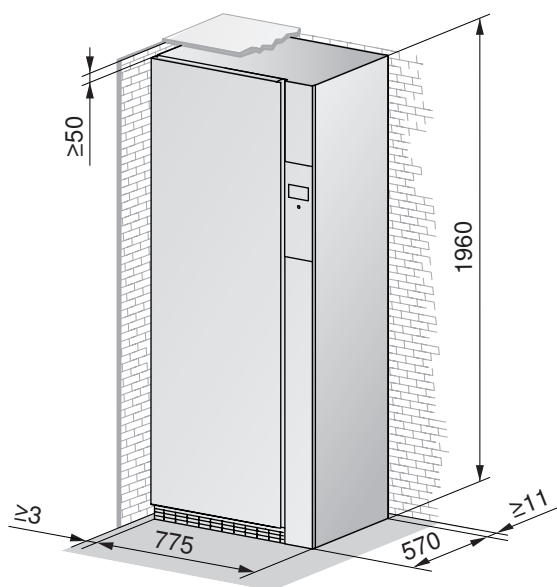
To prevent disturbing noise and vibration the appliance must not come into contact with the surrounding walls of its installation location. It is imperative to comply with the supplied installation instructions for positioning the appliance.

- ▶ The appliance must stand level and stable. Check with a spirit level.
- ▶ The appliance must not «wobble» in the case of a crosswise load.

Free-standing position

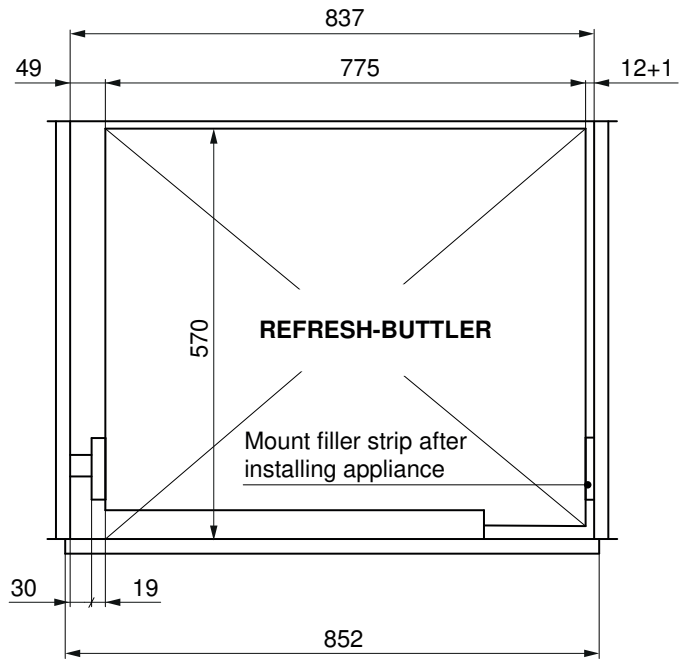
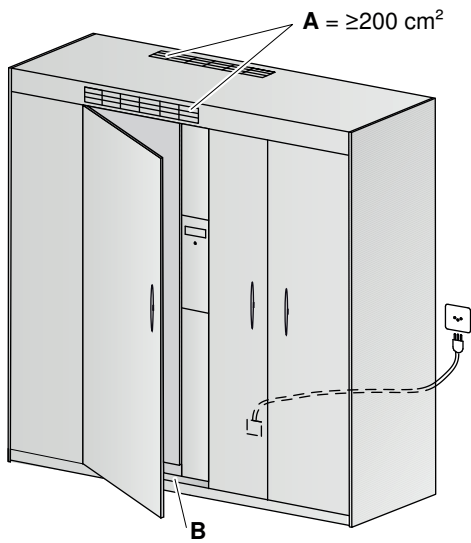


When positioning a REFRESH-BUTLER so that it is free-standing, a distance of min. 3 mm must be kept to the walls to the left and right.



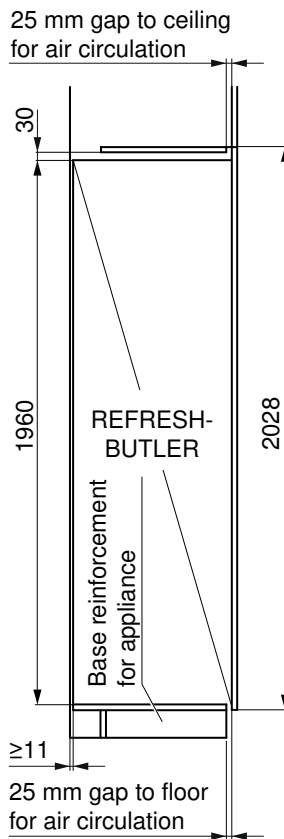
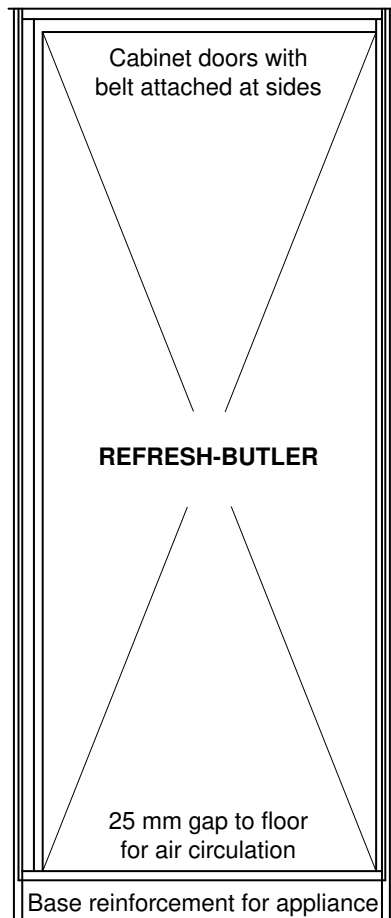
Positioning in a niche

Door across entire width of opening, not connected to door of REFRESH-BUTLER

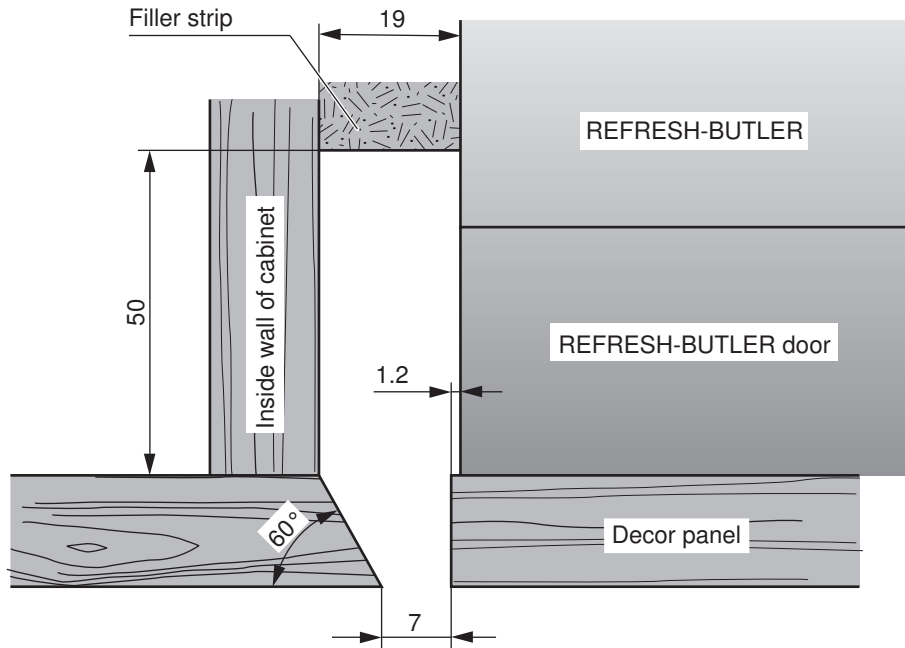


A: Ventilation slit on the top at the back or above the cabinet door

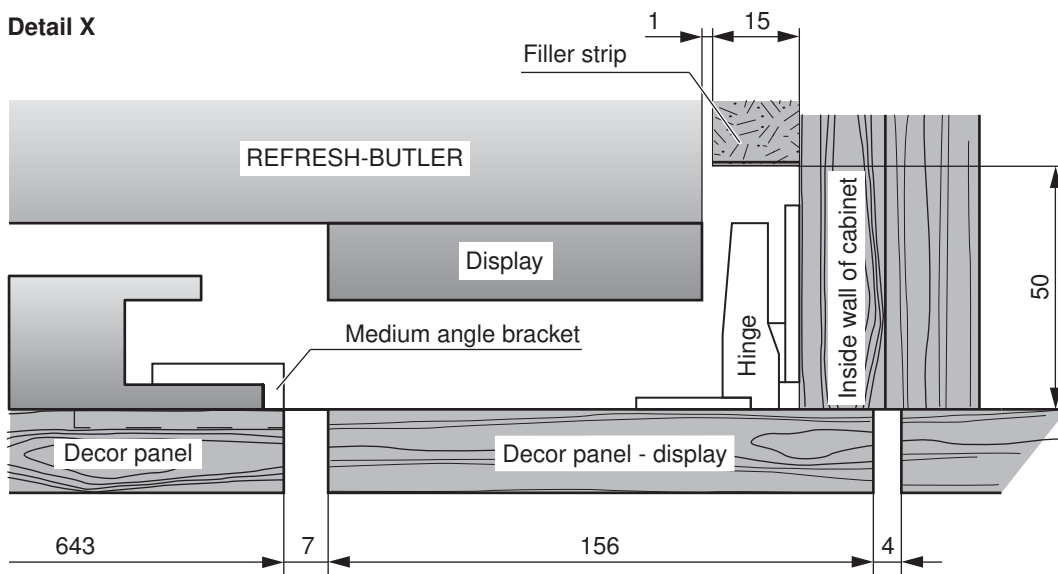
B: Load-bearing capacity of cabinet floor: min. 170 kg

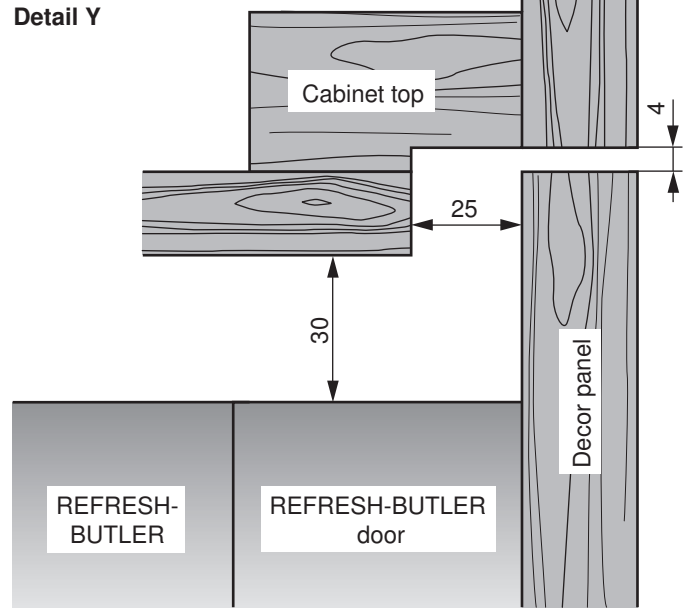
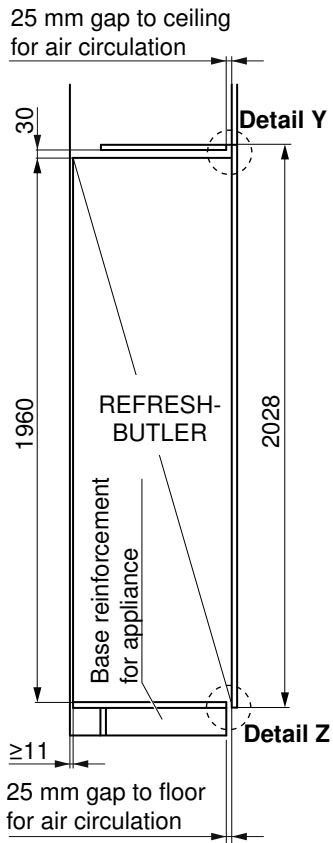


Detail W

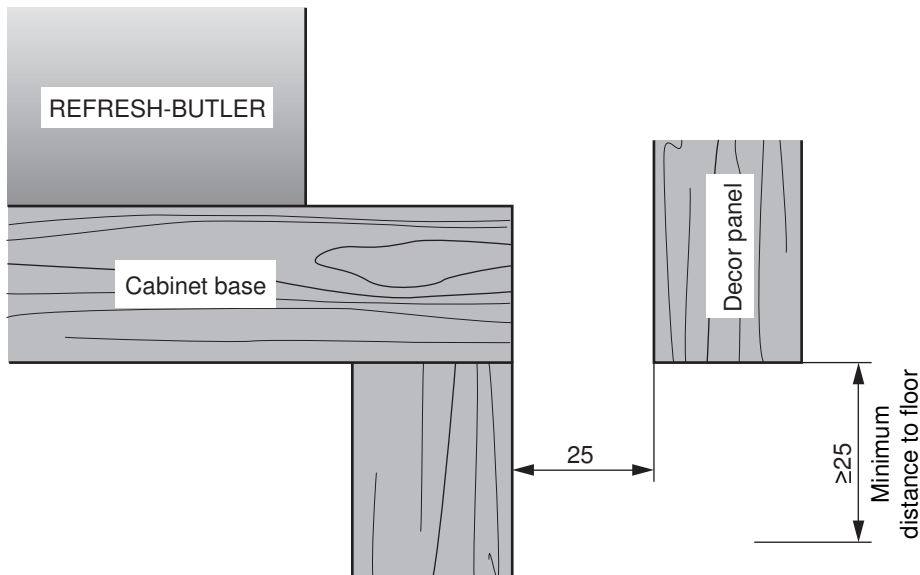


Detail X





Detail Z





8 Accessories

Washing machines	Article number	Model
4 m drain hose set, can be shortened: max.permissible drain height ≤ water outlet out of appliance ~80 cm.	W33543	Adora SLQ WP, SLQ, SL, S, L
Aquastop hose, 3 m, with volume flow switch *	W31427	Adora SLQ WP, SLQ, SL, S, L
Hose support (included in the scope of delivery)	80868039	Adora SLQ WP, SLQ, SL, S, L
Control panel aid for blind people	1014377	Adora S, L
Set containing long hoses	1012989	Adora SLQ WP, SLQ, SL, S, L

* Has to be installed by Customer Services

Tumble dryer	Article number	Model
Combi drainage set	W55969	Adora TSLQ WP, TS WP, TL WP
Condensate drain kit (included in the scope of delivery)	W56298	Adora TSLQ WP, TS WP, TL WP
Backflow preventer	W50028	Adora TSLQ WP, TS WP, TL WP
Drying basket set	W55884	Adora TSLQ WP, TS WP, TL WP
Tower panel (included in the scope of delivery)	W55687	Adora TSLQ WP, TS WP, TL WP
130 door stop for niche installation	W54086	Adora TSLQ WP, TS WP, TL WP
Control panel aid for blind people	1014377	Adora TS WP, TL WP

REFRESH-BUTLER	Article number	Model
5 clothes hangers (included in the scope of delivery)	W54789	
1 basket (included in the scope of delivery)	W57115	
durgol swiss steamer descaler (included in the scope of delivery)	B28006	



9 Notes

CONTACT IN SWITZERLAND

V-ZUG Ltd
Industriestrasse 66
CH-6301 Zug/Switzerland
www.vzug.com

Service & Support International
Tel. +41 58 767 67 78
service-support@vzug.com

