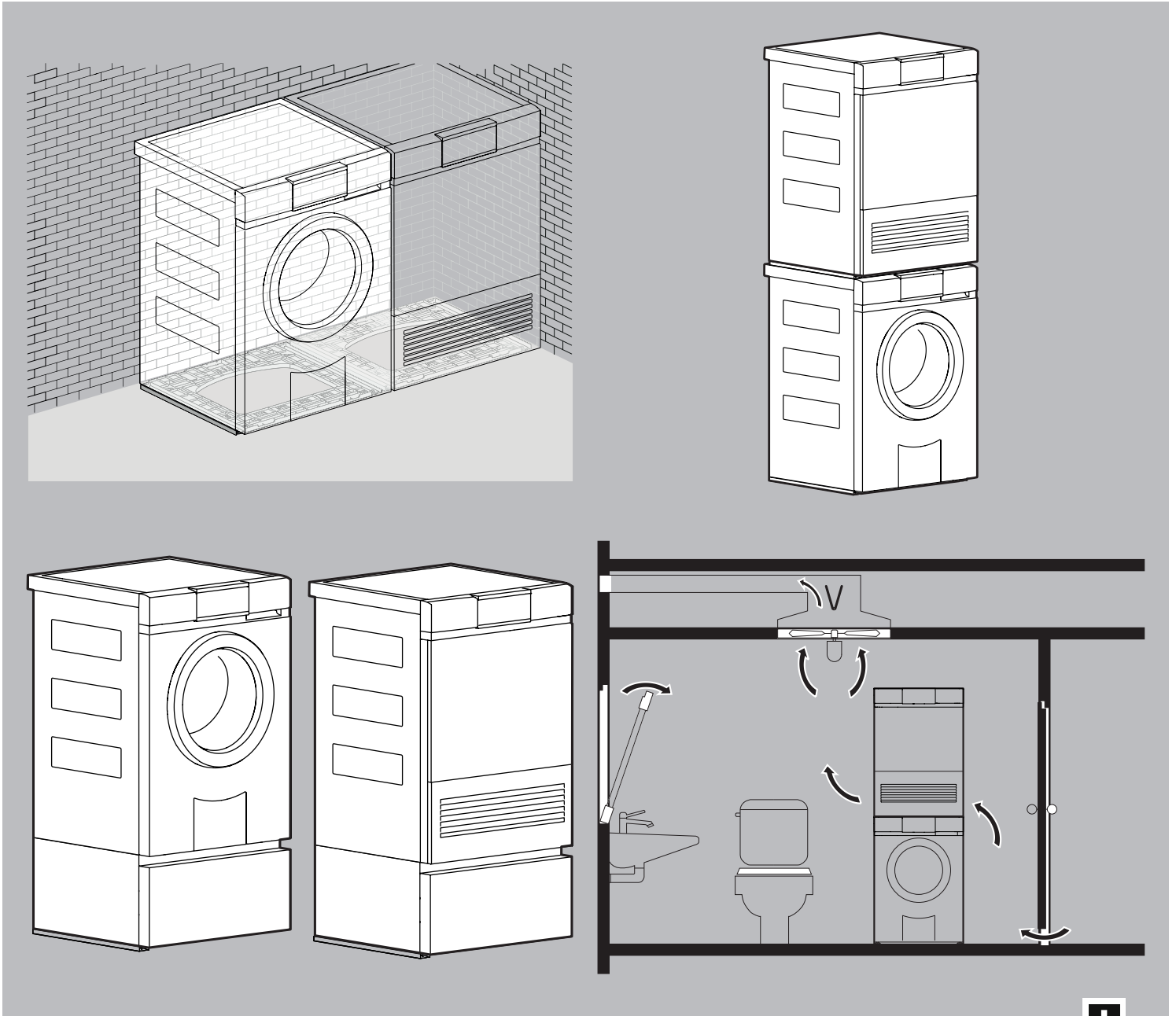




Swiss perfection for your home



Planning aid

Laundry room appliances

2015/16



Note on content

Please note

This planning aid applies to the specified model numbers only. Older planning aids for earlier generation models may be requested in electronic form from our Customer Services.

This planning aid is not to be used as installation instructions! The regulations and instructions binding for the appliance installation are to be obtained from the installation instructions packed with the appliances. The installation instructions can also be downloaded from the internet from www.vzug.com/b2b.

Modifications

Text, diagrams and data correspond to the technical standard of the appliances at the time this planning aid went to press. The right to make technical modifications for the purpose of the further development of the appliances is reserved.

Symbols used



Denotes important safety precautions.

Failure to observe said precautions can result in injury or in damage to the appliance or fittings!

► Indicates an instruction.

• Indicates a list.



Information and precautions that should be observed.

Supplementary documents

In this planning aid, occasional reference is made to supplementary documents. These documents can be requested from the Head Office in Zug by sending an e-mail to service-support@vzug.com.

Useful links

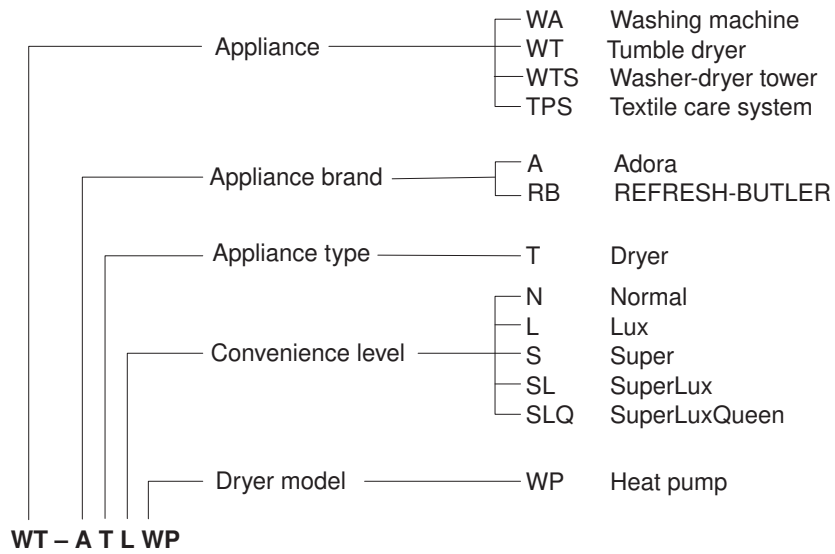
- www.vzug.com
- www.vzug.com/b2b
- www.vzug.com/lifestyle

Key to country groups

| Country group | Country code (in accordance with ISO 3166) | Country group | Country code (in accordance with ISO 3166) |
|---------------|---|---------------|---|
| A | EU European Union TR Turkey IL Israel LB Lebanon | D | AU Australia NZ New Zealand |
| B | GB Great Britain HK Hong Kong SG Singapore | E | RU Russia UA Ukraine |
| C | NO Norway | F | CN China |



Explanation of terms





Contents

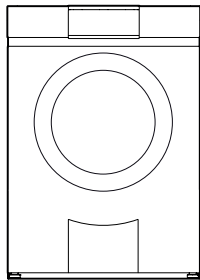
| | |
|---|-----------|
| 1 Appliance overview | 5 |
| 1.1 Adora washing machines..... | 5 |
| 1.2 Adora tumble dryers | 5 |
| 1.3 Adora washer-dryer towers | 5 |
| 1.4 Adora convenient storage drawer..... | 6 |
| 1.5 REFRESH-BUTLER – the textile care system | 6 |
| 2 Electrical connections | 7 |
| 2.1 General operating conditions..... | 7 |
| 2.2 Using residual current devices in house wiring system / fault current | 7 |
| 2.3 Connection for REFRESH-BUTLER–the textile care system | 7 |
| 3 Plumbing in | 8 |
| 3.1 General operating conditions..... | 8 |
| 3.2 Washing machines | 8 |
| 3.3 Tumble dryers..... | 9 |
| 3.4 Connection to GEBERIT concealed drain-trap..... | 11 |
| 4 Washing machines | 12 |
| 4.1 Electrical connection data..... | 12 |
| 4.2 Dimensions..... | 13 |
| 4.3 Installation | 14 |
| 4.4 Positioning | 14 |
| 5 Tumble dryers | 16 |
| 5.1 Electrical connection data..... | 16 |
| 5.2 Dimensions..... | 17 |
| 5.3 Installation | 18 |
| 5.4 Positioning | 19 |
| 6 Adora washer-dryer towers | 21 |
| 7 Adora convenient storage drawer | 23 |
| 7.1 Dimensions..... | 23 |
| 8 REFRESH-BUTLER – the textile care system | 24 |
| 8.1 Installation | 24 |
| 8.2 Positioning | 25 |
| 9 Accessories | 27 |
| 10 Notes | 29 |



1 Appliance overview

This planning aid only applies to the appliances included in this document with the corresponding product families (model numbers). Special documentation in the relevant local languages on how to install and operate the appliances is supplied with the appliances. (see 'Enclosures' section).

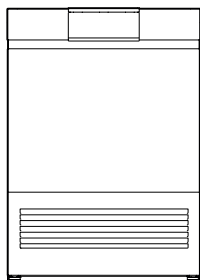
1.1 Adora washing machines



Front loader

| | | | | | |
|-------------|--------------|--------------|--------------|--------------|--------------|
| Designation | Adora SLQ WP | Adora SLQ | Adora SL | Adora S | Adora L |
| Model | 11004 | 11006 | 11003 | 11002 | 11001 |
| Type | WAASLQWP | WAASLQ | WAASL | WAAS | WAAL |

1.2 Adora tumble dryers

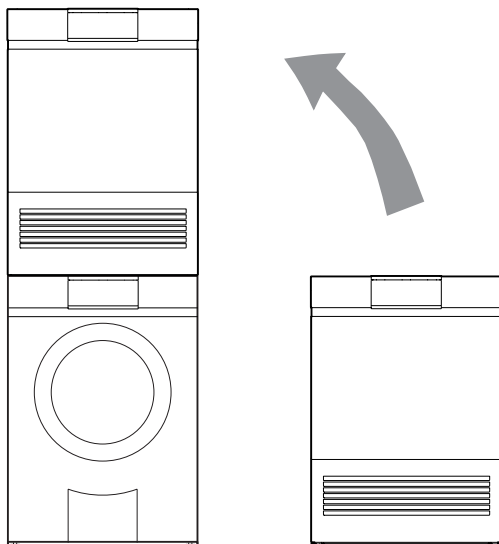


Condenser dryer with heat pump

| | | | |
|-------------|--------------|--------------|--------------|
| Designation | Adora TSL WP | Adora TS WP | Adora TL WP |
| Model | 12003 | 12002 | 12001 |
| Type | WTATSLWP | WTATSWP | WTATLWP |

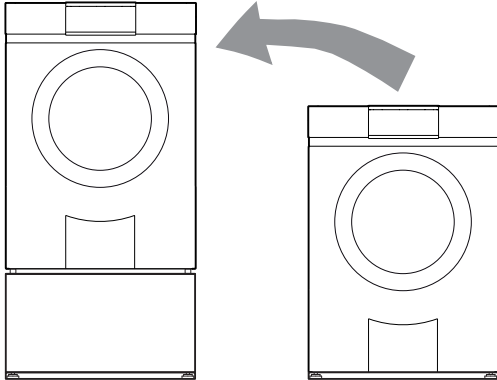
1.3 Adora washer-dryer towers

The Adora washing machines can be combined with the Adora tumble dryers to form a washer-dryer tower.



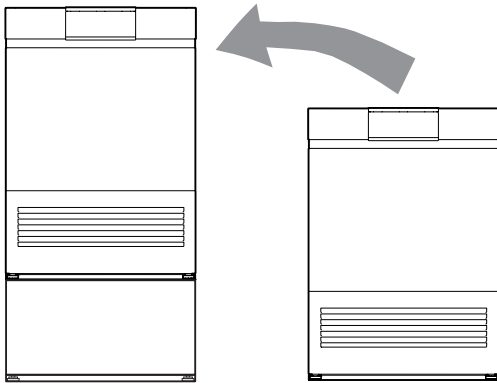
1.4 Adora convenient storage drawer

With Adora washing machine



✚ Installation accessories supplied with convenient storage drawer

With Adora tumble dryer



✚ Installation accessories supplied with convenient storage drawer

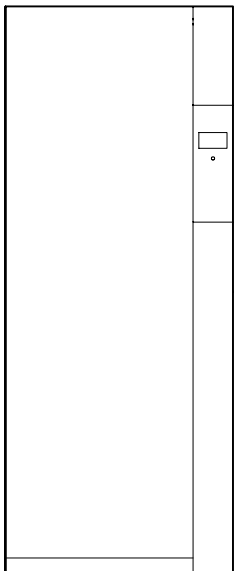
Adora convenient storage drawer



Do not stand a washer-dryer tower on a convenient storage drawer.

An Adora convenient storage drawer – by raising the height of the tumble dryer or washing machine – makes for comfortable use of the appliance. The drawer can also be used for storing washing detergent, accessories, etc.

1.5 REFRESH-BUTLER – the textile care system



| | |
|-------------|----------------|
| Designation | REFRESH-BUTLER |
| Model | 14001 |
| Type | TPSRBSLWP |



2 Electrical connections



Electrical connections are to be established by appropriately trained personnel.

General operating conditions



Detailed information on the electrical connection data can be found at the beginning of each section.

- The appliances are designed for use up to a max. altitude of 2000 m above sea level.

2.1 General operating conditions

| Value | Nominal value | Minimum | Maximum |
|-----------|------------------|------------------|------------------|
| Voltage | 230 V | 207 V | 253 V |
| | 400 V | 360 V | 440 V |
| Frequency | 50 Hz sinusoidal | 49 Hz sinusoidal | 51 Hz sinusoidal |

Short duration frequency variation in the mains:

± 1 Hz

Long duration frequency stability in the mains (for synchronous clocks):

± 10 ppm

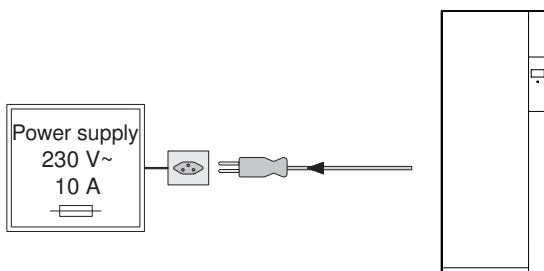
- Protection type IP: IP-X4

2.2 Using residual current devices in house wiring system / fault current

Washing machines have an inherently high fault current. The values can be affected by various factors and vary widely. In accordance with the norm, fault currents of up to approximately 10 mA per appliance are permissible. The values are measured in the warm operating state.

If residual current devices (RCDs) are used in the house wiring system, we recommend that the above-mentioned appliances have their own RCD protection, separate from the power supply for the rest of the system. The tripping current of the RCD should be selected to be 30 mA or higher.

2.3 Connection for REFRESH-BUTLER—the textile care system



Rated load

Textile care system

| Appliance | Voltage | Rated load | Fuse |
|----------------------|---------|------------|------|
| REFRESH-BUTLER SL WP | 230 V~ | 1200 W | 10 A |

3 Plumbing in

3.1 General operating conditions

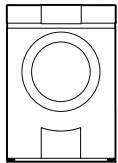
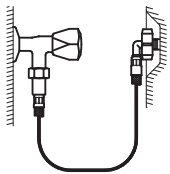
| Value | | Nominal value | Minimum | Maximum |
|-------------------------------------|--------------------|----------------------------|-----------------------|---------|
| Mains pressure (0.1 MPa = 1 bar) | static | 0.3 MPa | 0.1 MPa | 1.0 MPa |
| | flowing | – | 0.08 MPa | 1.0 MPa |
| Water hardness* | | – | 0.5 °fH | 50 °fH |
| Water inlet temperature | cold water | – | 5 °C | 35 °C |
| | hot water (option) | – | 40 °C | 60 °C |
| Water supply pipeline | | G $\frac{3}{4}$ " | – | – |
| Drainage cross-section | | ø internal 57 mm (on-site) | ø internal min. 19 mm | – |

* For special cases with water hardness in excess of 50 °fH, an external water softener is recommended.

3.2 Washing machines

Comply with the regulations laid down by your local water supply authority for the layout of the supply pipe and drainage.

Water inlet



Appliance

Adora SLQ WP, SLQ, SL, S, L

Hose

Inlet hose with Aqua-Stop

Length

1.25 m

Connection

G $\frac{3}{4}$ "

Cold water only G $\frac{3}{4}$ ", optimal working pressure 0.3 MPa (3 bar).

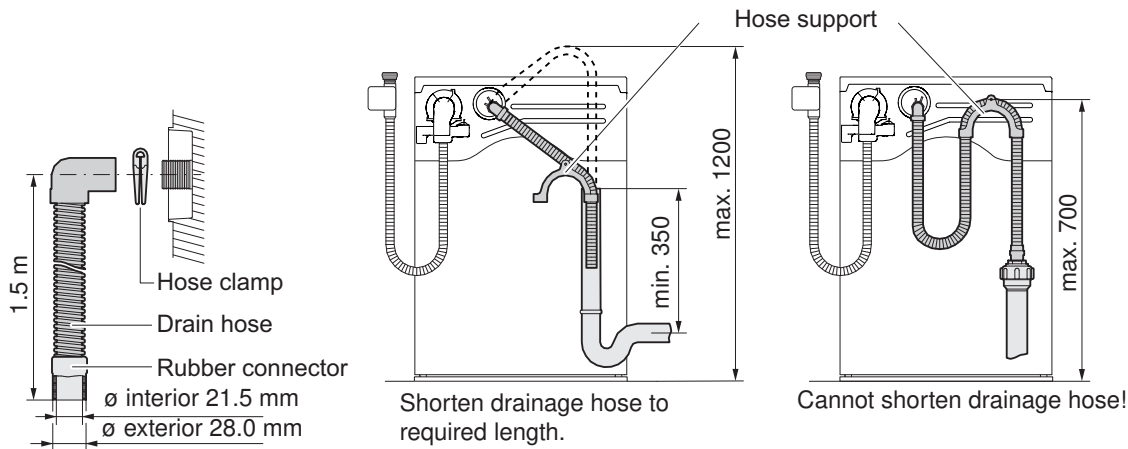
Possible pressure range: 0.1–1.0 MPa (1–10 bar).

Connection to a mixer tap or a continuous flow heater is not permitted!



Water outlet

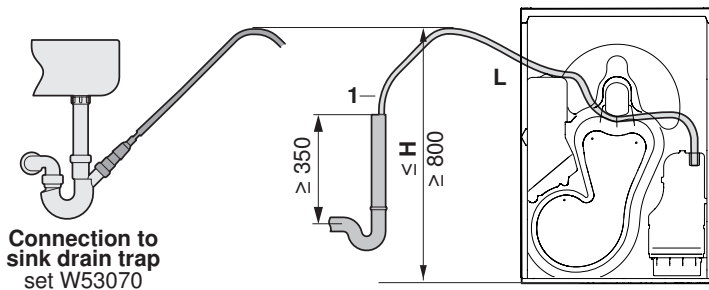
- Pumping height for drain pump, max. 1.2 m from the floor



| Appliance | Hose | Length | Connection |
|-----------------------------|-------------------------|--------|--------------------|
| Adora SLQ WP, SLQ, SL, S, L | Corrugated plastic hose | 1.5 m | ø internal 21.5 mm |

3.3 Tumble dryers

Direct drainage with transition piece



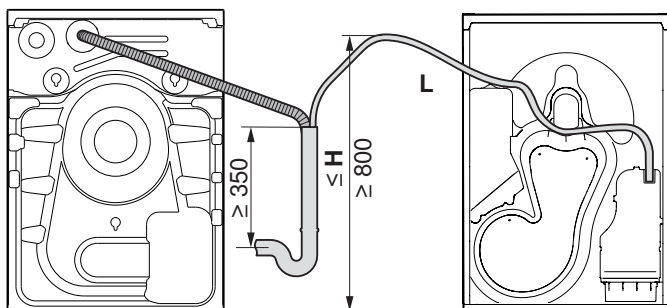
1 **Condensate** drain kit **W56298** (series standard)

Tumble dryer Adora TSL WP, TS WP, TL WP

Pumping height **H** for drain pump: max. 1.2 m from floor

Hose length **L** from pump to **H**: max. 1.5 m (backflow volume)

Washer-dryer combination with separately routed drainage pipe



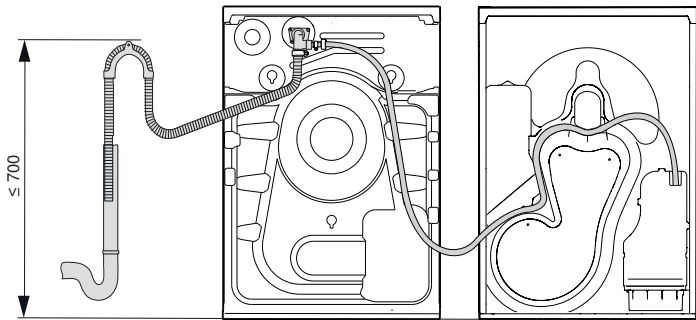
Tumble dryer Adora TSL WP, TS WP, TL WP

Washing machine Adora SLQ WP, SLQ, SL, S, L
 Adorina washing machine SL, S, L

Pumping height **H** for drain pump: max. 1.2 m from floor

Hose length **L** from pump to **H**: max. 1.5 m (backflow volume)

Washer-dryer combination installed side by side with combi drainage set



2 Combi drainage set W55969 (accessories)

Tumble dryer Adora TSL WP, TS WP, TL WP

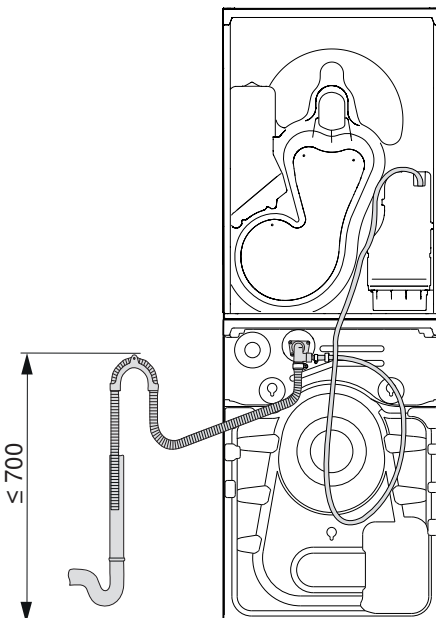
Washing machine Adora SLQ WP, SLQ, SL, S, L

► Fix hose end with hose support



Secure drain hose on tumble dryer so that it cannot kink.

Adora washer-dryer tower with combi drainage set



2 Combi drainage set W55969 (accessories)


Tumble dryer Adora TSL WP, TS WP, TL WP

Washing machine Adora SLQ WP, SLQ, SL, S, L

► Fix hose end with hose support

3.4 Connection to GEBERIT concealed drain-trap

The following details refer to the GEBERIT documentation current at the time this planning aid went to press. V-ZUG does not supply or install concealed drain-traps. There must be a separate concealed drain-trap for each appliance. Unused connections to the concealed drain-trap must be sealed off. Secure drain hoses with a clamp (not included in the scope of delivery).

 **1** Failure to follow the instructions will result in water flowing from the washing machine into the tumble dryer.

Tumble dryer with combi drainage set


2 The combi drainage set permits the water outlet of a washing machine and a tumble dryer into one water outlet (concealed drain-trap). The water from the tumble dryer is pumped with the pump into the water outlet of the washing machine. A non-return flap valve is located in the water outlet.

Tumble dryer without combi drainage set

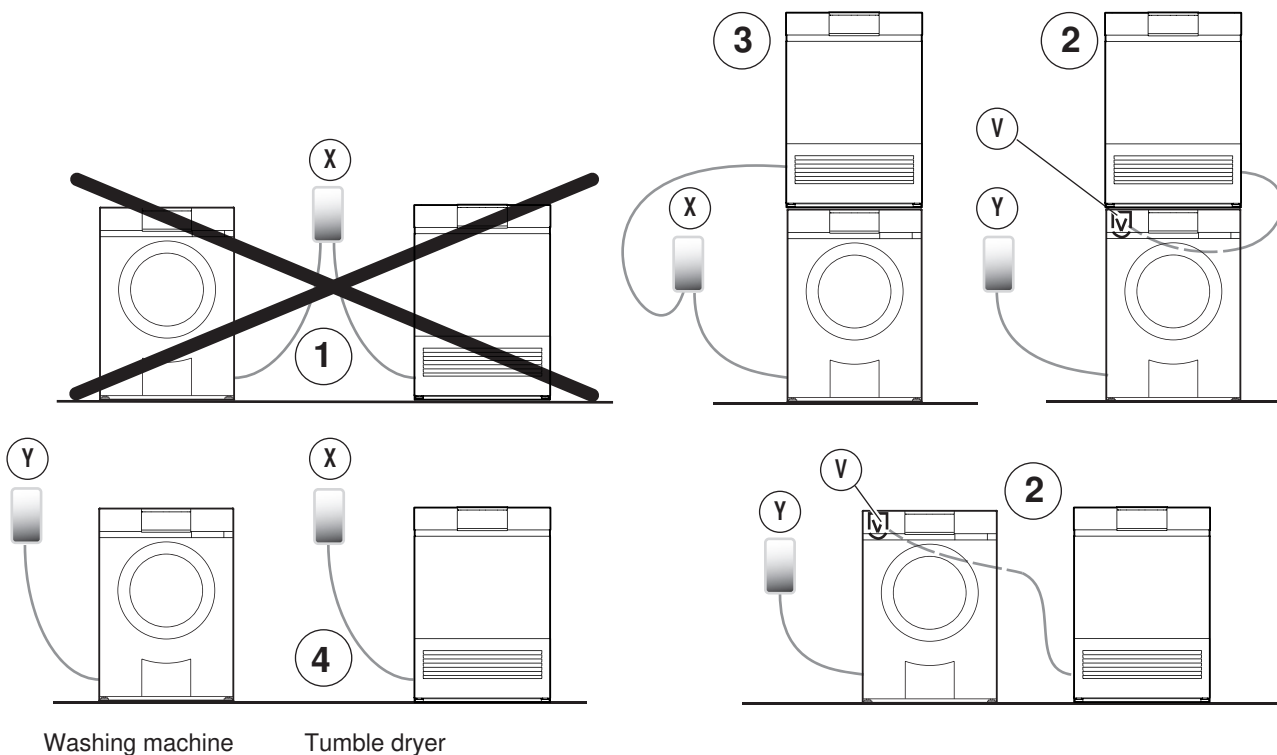
3 If an Adora tumble dryer is combined with the appropriate washing machine in a washer-dryer tower, the following concealed drain-trap can be used: drain-trap GEBERIT UP (GEBERIT art. no. 152.237.00.1) with additional ø 10 mm hose nozzle for connecting the tumble dryer.

Washing machine and tumble drying installed side by side

4 If a tumble dryer is installed side by side with the appropriate washing machine, two of the following concealed drain-traps must be used: drain-trap GEBERIT UP (GEBERIT art. no. 152.236.00.1).

 The combi drainage set may be used if there is only one concealed drain trap.

- V W55969
- X Geberit concealed drain-trap 152.237.00.1
- Y Geberit concealed drain-trap 152.236.00.1





4 Washing machines

4.1 Electrical connection data

| Appliance | Country group * | Mains connection | Rated load | Fuse | Mains cable |
|--------------|-----------------|------------------|------------|------|--------------------|
| Adora SLQ WP | A, C | 230 V~ 50 Hz | 3600 W | 16 A | With plug 1.8 m |
| | B, E | 230 V~ 50 Hz | 2300 W | 10 A | |
| | D, F | 220-240 V~ 50 Hz | 2300 W | 10 A | |
| Adora SLQ | A, C | 230 V~ 50 Hz | 3500 W | 16 A | With plug 1.8 m |
| | B, E | 230 V~ 50 Hz | 2300 W | 10 A | |
| | D, F | 220-240 V~ 50 Hz | 2300 W | 10 A | |
| Adora SL | A, C | 230 V~ 50 Hz | 3500 W | 16 A | With plug 1.8 m |
| | B, E | 230 V~ 50 Hz | 2300 W | 10 A | |
| | D, F | 220-240 V~ 50 Hz | 2300 W | 10 A | |
| Adora S | A, B, C, E | 230 V~ 50 Hz | 2300 W | 10 A | With plug 1.8 m |
| | D, F | 220-240 V~ 50 Hz | 2300 W | 10 A | |
| Adora L | A, B, C, E | 230 V~ 50 Hz | 2300 W | 10 A | With plug 1.8 m |
| | D, F | 220-240 V~ 50 Hz | 2300 W | 10 A | |

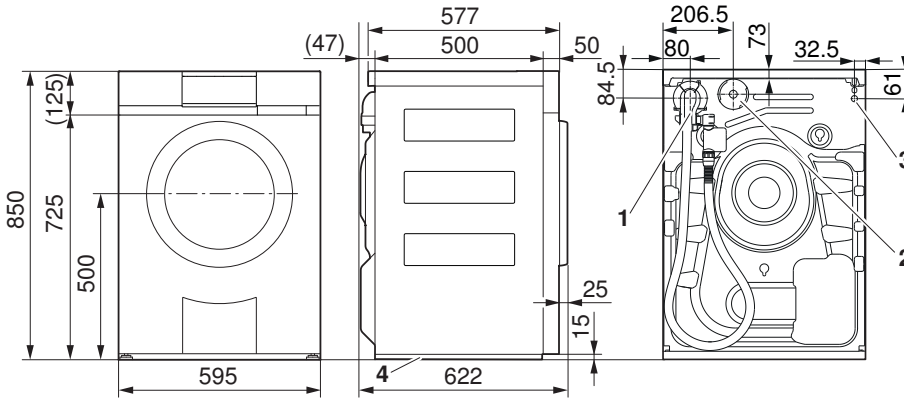
* Note on content (see page 2)

4.2 Dimensions



The stated dimensions do not include distances from walls. To prevent disturbing noise and vibration the appliances must not come into contact with the surrounding walls of their installation location.

Adora SLQ WP (11004), Adora SLQ (11006), Adora SL (11003), Adora S (11002), Adora L (11001)



1 Cold water connection; inlet hose with Aqua-Stop,

length: 1.25 m, G^{3/4}"

2 Drainage hose connection with elbow,

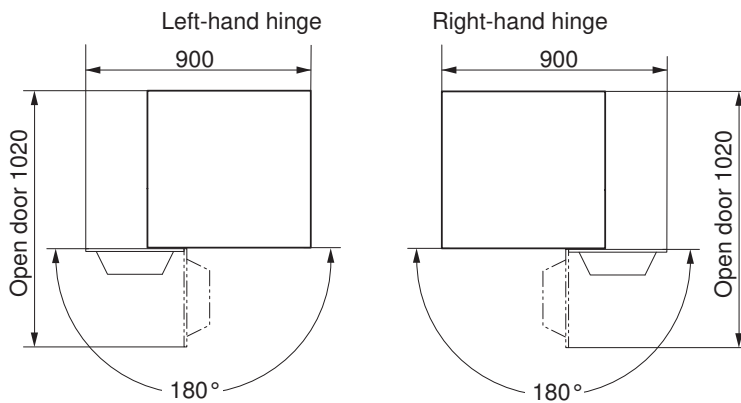
length: 1.5 m

pumping height for drain pump: 1.2 m

3 Electrical connection cable outlet,

length: 1.8 m

4 Installation plate



* In order that the detergent dispenser drawer can be used freely and be taken out for cleaning, the clearance space must be observed across the whole front of the appliance.

4.3 Installation

General condition

All Adora appliances must be mounted on the installation plate supplied; only in this case is problem-free operation guaranteed. The appliances can be levelled by means of adjustable feet.



The appliance actively balances unbalanced loads during spinning. To ensure problem-free operation, no soft, sound insulating underlay such as the Adorina WM ISO set may be used.

Room temperature

Permissible room temperature: 5 °C to 35 °C

4.4 Positioning



To prevent disturbing noise and vibration the appliance must not come into contact with the surrounding walls of its installation location. It is imperative to comply with the supplied installation instructions for positioning the appliance.

- ▶ The appliance must be horizontal and stable. Check with a spirit level.
- ▶ The appliance must not "wobble" in the case of a crosswise load.

Installation plate (W40653)



The installation plates for the washing machine and tumble dryer are the same.

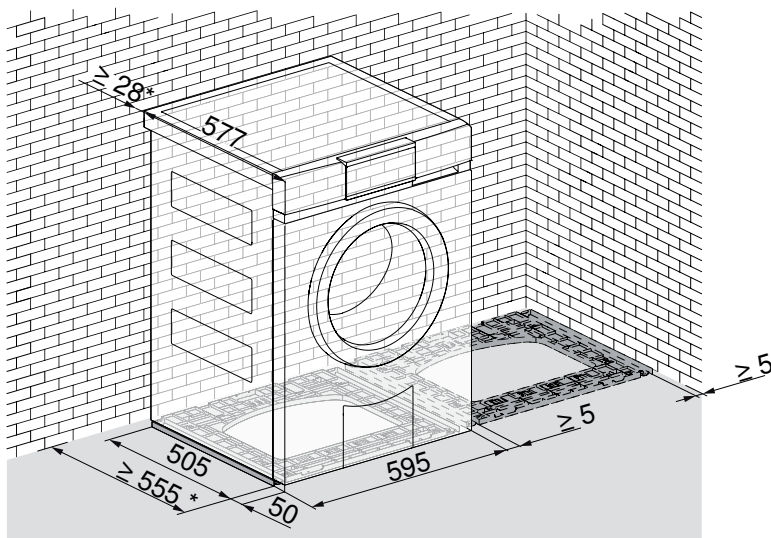
The installation plate is used as an installation aid and its use is obligatory. It can be fixed to the floor with double-sided adhesive tape or can be screwed.

If a room has underfloor heating the installation plate may only be adhered. The fixing material is included in the scope of delivery.

Free-standing position



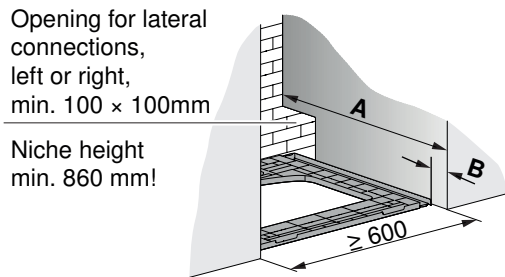
If a tumble dryer and a washing machine are positioned side by side, keep a distance of min. 5 mm and 28 mm respectively between the installation plates and to the walls.



* This only applies if no plumbing fittings are to be installed behind the appliance.

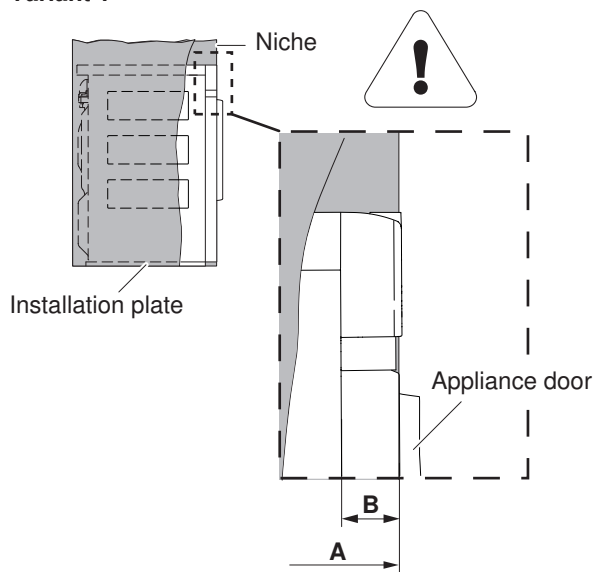
Positioning in a niche

- Centre the installation plate in the niche.

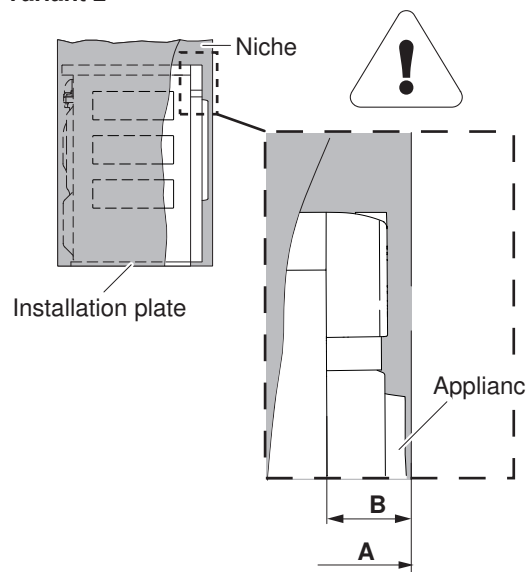


| Variant | Positioning | Niche depth A | Installation offset for installation plate B |
|---------|--|---------------|--|
| 1 | Appliance door projecting from niche front | min. 605 mm | 50 mm |
| 2 | Appliance door recessed behind niche front | min. 635 mm | 80 mm |

Variant 1



Variant 2





5 Tumble dryers

The following tumble dryers are condenser dryers with a heat pump. The process circuit of the heat pump dryer is completely closed. The hot humid air is cooled and condensed in the 1st heat exchanger and then re-heated in the 2nd heat exchanger.

The heat pump dryer has roughly half the energy consumption of conventional tumble dryers, a higher air flow rate and a lower drying temperature. This results in particularly gentle drying, especially suitable for heat-sensitive textiles such as synthetics and blended fabric. The heat pump dryers satisfy the stringent requirements of the Minergy (minimum energy) standard.

5.1 Electrical connection data

| Appliance | Country group * | Mains connection | Rated load | Fuse | Mains cable |
|--------------|-----------------|------------------|------------|------|--------------------|
| Adora TSL WP | A, B, C, E | 230 V~ 50 Hz | 1350 W | 10 A | with plug 1.8 m |
| | D, F | 220-240 V~ 50 Hz | 1350 W | 10 A | |
| Adora TS WP | A, B, C, E | 230 V~ 50 Hz | 1300 W | 10 A | with plug 1.8 m |
| | D, F | 220-240 V~ 50 Hz | 1300 W | 10 A | |
| Adora TL WP | A, B, C, E | 230 V~ 50 Hz | 1300 W | 10 A | with plug 1.8 m |
| | D, F | 220-240 V~ 50 Hz | 1300 W | 10 A | |

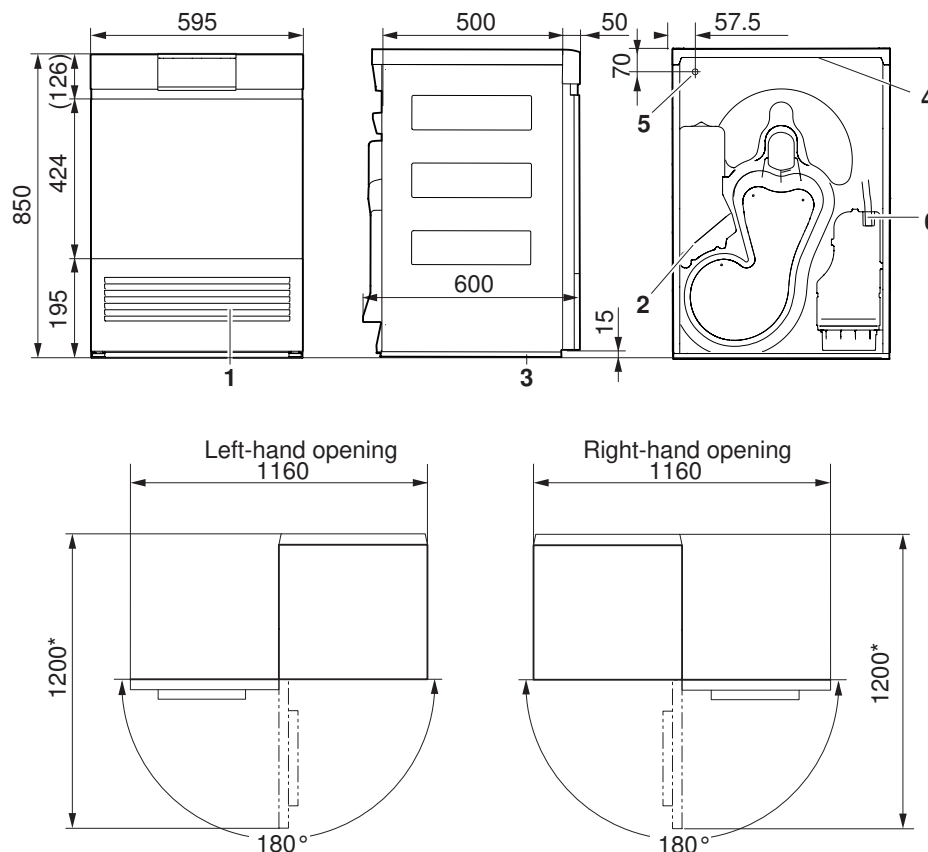
* Key (see page 2)

5.2 Dimensions



The stated dimensions do not include distances from walls. To prevent disturbing noise and vibration the appliances must not come into contact with the surrounding walls of their installation location.

Adora TSL WP (12003), Adora TS WP (12002), Adora TL WP (12001)



- 1 Cooling air inlet
 - 2 Cooling air outlet
 - 3 Installation plate
 - 4 Tower panel
 - 5 Electrical connection cable outlet,
length: 1.8 m, with plug
 - 6 Condensate drainage;
drainage connector: \varnothing 10.5 mm
pumping height for drain pump: 1.2 m
Condensate drain kit, length: 2 m
- * Clearance space across the whole width of the front

5.3 Installation

General condition



To prevent an impermissible rise in temperature and humidity, the room must be min. 20m³, or sufficiently large inlet and outlet openings to an adjacent room or to the outside must be available (open windows, ventilation grilles or slots in the door, ventilation systems). On the other hand there is the possibility of using the waste heat.

Normal bathroom extractor fans are not adequate for optimal room ventilation. They switch off with the light after a preset after-running time.

Through the heat recovery of the heat pump dryer, heat dissipation is greatly reduced resulting in the imposition of far fewer demands on the installation room. Heat pump dryers affect their environment like a heater blower with a heat output of approx. 700W.

All Adora appliances must be mounted on the installation plate supplied; only in this case is problem-free operation guaranteed.

The appliance can be levelled by means of adjustable feet. The room must be kept free of dust and fluff.

Room climate and ventilation

Room temperature

Permissible room temperature: 5 °C to 35 °C

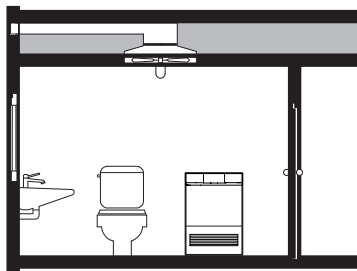


The room temperature should be kept as low as possible to ensure the economic running of the appliance. Critical is a room temperature of 35 °C and over. This prolongs the duration of the programmes. High temperatures can also result in error messages and impair the service life of the appliance.

Ventilation

As a general rule, rooms containing a heat pump dryer must be ventilated as these produce some humidity. For each heat pump dryer, the passage of exhaust and intake air must be guaranteed. EXHAUST AIR requires INTAKE AIR. At least the same amount of air must be supplied to as is being extracted from the room. If the room is kept closed, the installation room volume must be min. 20 m³.

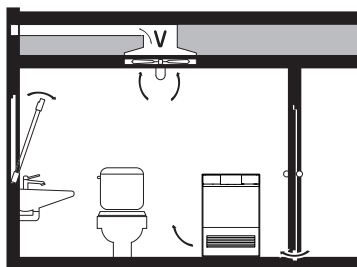
Ventilation concepts



Installation room volume min. 20 m³, room kept closed:

Condensation may form on thermal bridges!

The room must be aired (by opening the door to or a window in the room) between consecutive drying programmes!



Installation room volume < 20 m³:

There must be air inlet and outlet openings (open window, ventilation grille or slits in the door, ventilation system) to the adjacent room or to the outside.

Operation is trouble-free with an air circulation rate from 15 m³/h.

Smaller rooms such as storage rooms, toilets and showers are not suitable for the installation of a tumble dryer.

An exhaust air fan can be controlled from the tumble dryer over the corresponding additional module. In case of doubt, have the chosen arrangement checked out by a ventilation engineer. Accessories (see page 28)

5.4 Positioning



To prevent disturbing noise and vibration the appliance must not come into contact with the surrounding walls of its installation location. It is imperative to comply with the supplied installation instructions for positioning the appliance.

- ▶ The appliance must be horizontal and stable. Check with a spirit level.
- ▶ The appliance must not "wobble" in the case of a crosswise load.

Installation plate (W40653)



The installation plates for the washing machine and tumble dryer are the same.

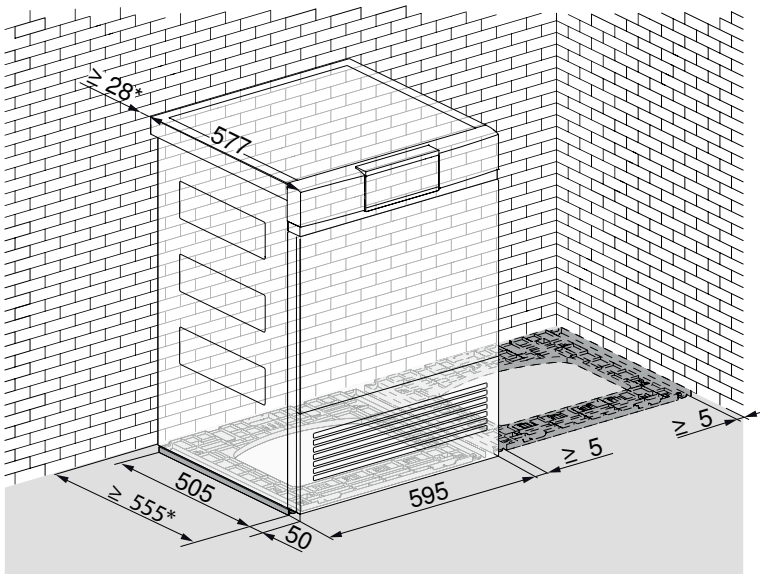
The installation plate is used as an installation aid and its use is obligatory. It can be fixed to the floor with double-sided adhesive tape or can be screwed.

If a room has underfloor heating the installation plate may only be adhered. The fixing material is included in the scope of delivery.

Free-standing position



If a tumble dryer and a washing machine are positioned side by side, keep a distance of min. 5 mm and 28 mm respectively between the installation plates and to the walls.



* This only applies if plumbing fittings are not to be installed behind the appliance.

Positioning in a niche



If a tumble dryer is installed in a niche, a 130° door stop must be provided (article no. W54086).

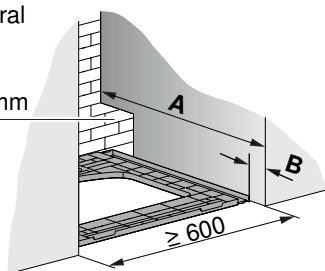


If the niche is fitted with a door, ensure that this door remains open during the processing time. Niche doors and appliance doors are advantageously fitted on the same side.

► Centre the installation plate in the niche.

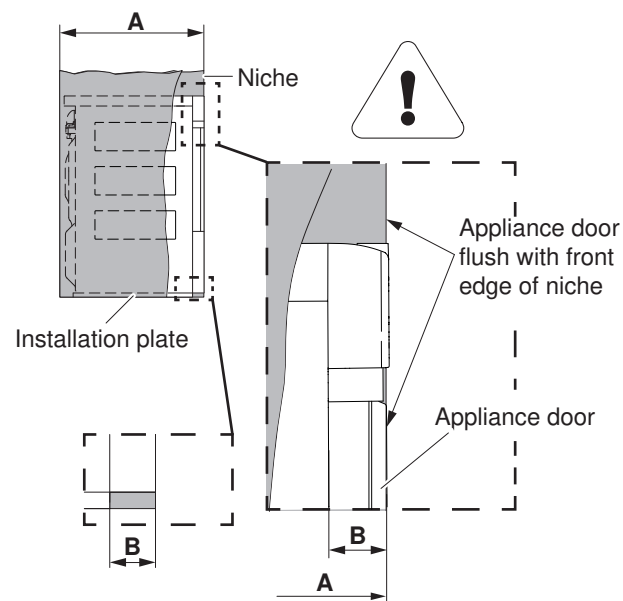
Opening for lateral connections, left or right, min. 100 x 100mm

Niche height min. 860 mm!

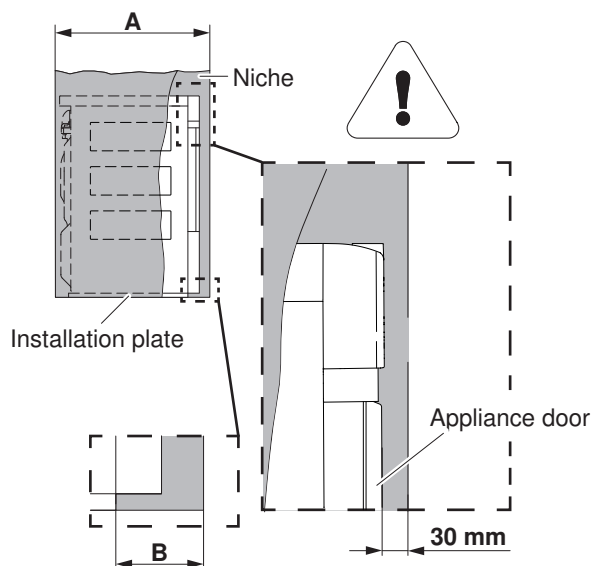


| Variant | Positioning | Niche depth A | Installation offset for installation plate B |
|---------|--|----------------------|---|
| 1 | Appliance door projecting from niche front | min. 605 mm | 50 mm |
| 2 | Appliance door recessed behind niche front | min. 635 mm | 80 mm |

Variant 1



Variant 2



The heat given off from the rear of the appliance must be conducted out of the niche. By means of 2 ventilation grilles P33002 or a ventilation cut-out of min. 400 cm² in the niche cover ensure there is a supply of fresh air via the connection opening.



The condensed water hose must not be crushed between the rear of the appliance and the building wall.

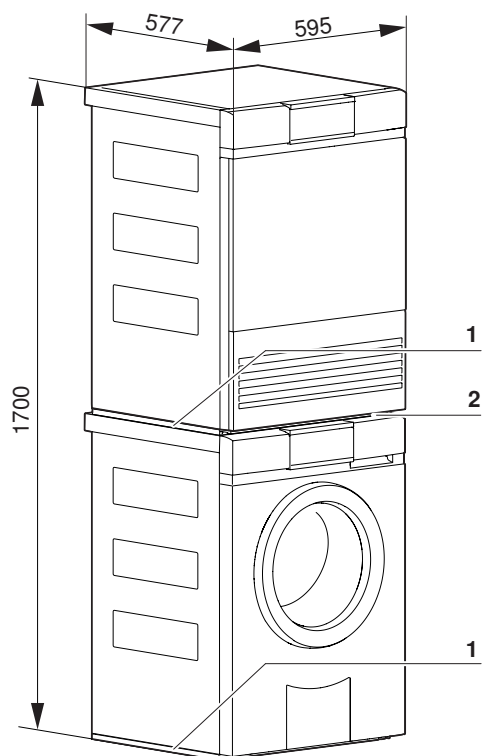
6 Adora washer-dryer towers



For safety reasons, tumble dryers standing upon washing machines are never to be mounted and operated without the associated installation plate.

Disconnection points must be provided for the water supply and electrical connection, which must be capable of being actuated without moving the appliances.

Free-standing in room



- 1 Installation plate
- 2 Tower panel (when delivered, attached to the cover plate at the back of the tumble dryer)

Installation in a niche



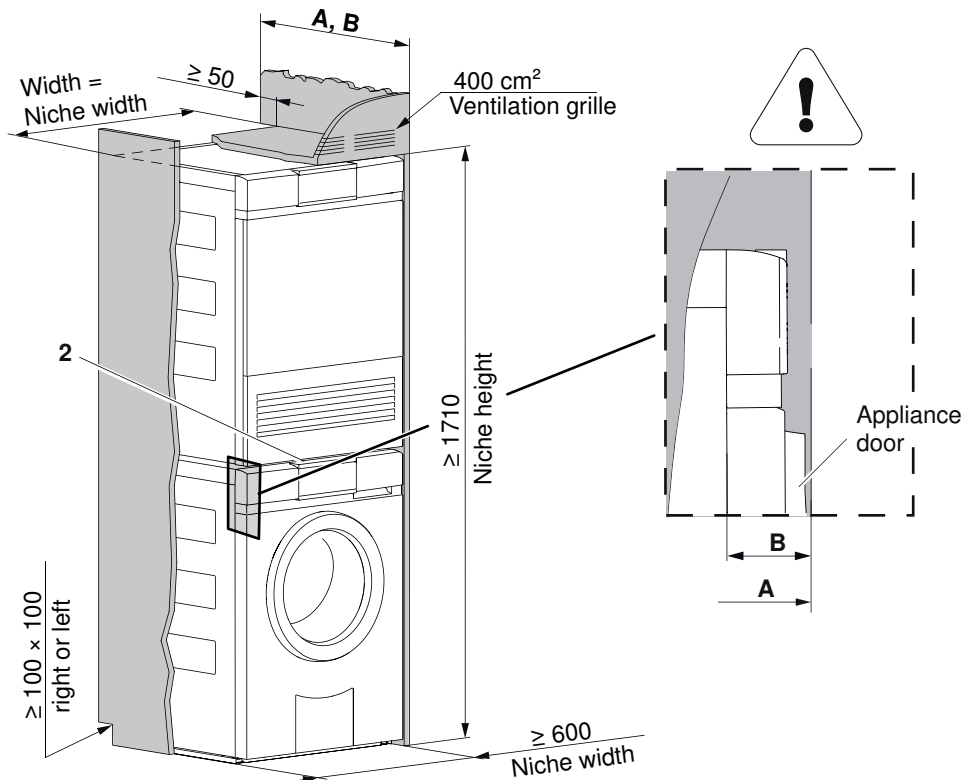
If a tumble dryer is installed in a niche, a 130° door stop must be provided (article no. W54086).



If the niche is fitted with a door, ensure that this door remains open during the processing time. Niche doors and appliance doors are advantageously fitted on the same side.



The heat given off from the rear of the appliance must be conducted out of the niche from above. Mount ventilation grilles over the niche and ensure there is a supply of fresh air via the connection opening.



| Variant | Positioning | Niche depth A | Installation offset for installation plate B |
|---------|--|----------------------|---|
| 1 | Appliance door projecting from niche front | min. 605 mm | 50 mm |
| 2 | Appliance door recessed behind niche front | min. 635 mm | 80 mm |

Room climate and ventilation

Room temperature

Permissible room temperature:

Tower with tumble dryer: 5 °C to 35 °C



The room temperature should be kept as low as possible to ensure the economic running of the appliance. Critical is a room temperature of 35°C and over. This prolongs the duration of the programmes. High temperatures can also result in error messages and impair the service life of the appliance.

Ventilation

Refer to the section on the relevant tumble dryer.

Installation instructions, room climate and ventilation.

7 Adora convenient storage drawer



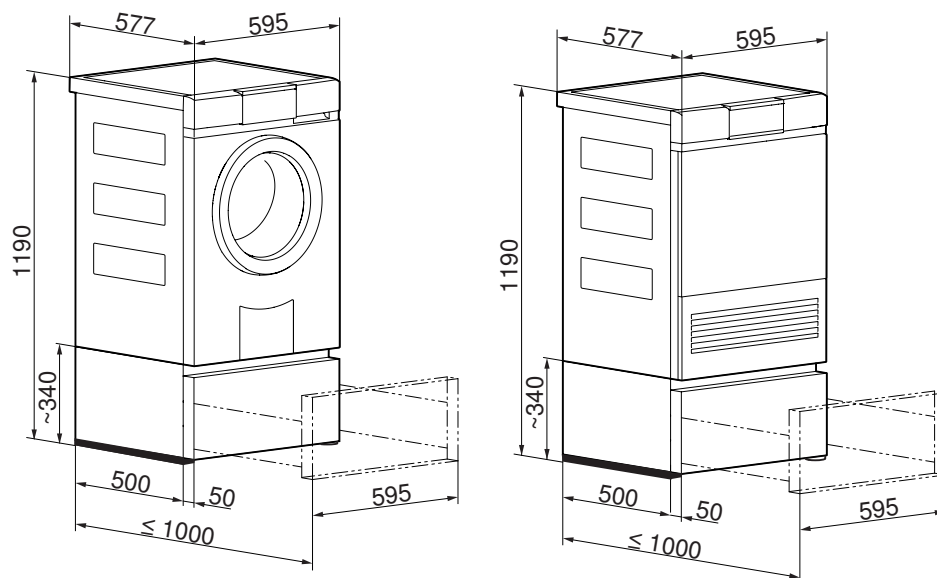
Do not stand a washer-dryer tower on a convenient storage drawer.

An Adora convenient storage drawer – by raising the height of the tumble dryer or washing machine – makes for comfortable use of the appliance. The drawer can also be used for storing washing detergent, accessories, etc.

7.1 Dimensions



The stated dimensions do not include distances from walls. To prevent disturbing noise and vibration the appliances must not come into contact with the surrounding walls of their installation location.



The installation plate must be screwed to the floor.

8 REFRESH-BUTLER – the textile care system

8.1 Installation

General condition



To prevent an impermissible rise in temperature and humidity, the room must be min. 20m³, or sufficiently large inlet and outlet openings to an adjacent room or to the outside must be available (open windows, ventilation grilles or slots in the door, ventilation systems). On the other hand there is the possibility of using the waste heat.

Normal bathroom extractor fans are not adequate for optimal room ventilation. They switch off with the light after a preset after-running time.

Through the heat recovery of the heat pump dryer, heat dissipation is greatly reduced resulting in the imposition of far fewer demands on the installation room. Heat pump dryers affect their environment like a heater blower with a heat output of approx. 700W. The appliance can be levelled by means of adjustable feet. The room must be kept free of dust and fluff.

Room climate and ventilation

Room temperature

Permissible room temperature: 5 °C to 30 °C



The room temperature should be kept as low as possible to ensure the economic running of the appliance. Critical is a room temperature of 30 °C and over. This prolongs the duration of the programmes. High temperatures can also result in error messages and impair the service life of the appliance.

Ventilation

As a general rule, rooms containing a textile care appliance must be ventilated as these produce some humidity. For each heat pump dryer, the passage of exhaust and intake air must be guaranteed. EXHAUST AIR requires INTAKE AIR. At least the same amount of air must be supplied to as is being extracted from the room. If the room is kept closed, the installation room volume must be min. 20 m³.

8.2 Positioning



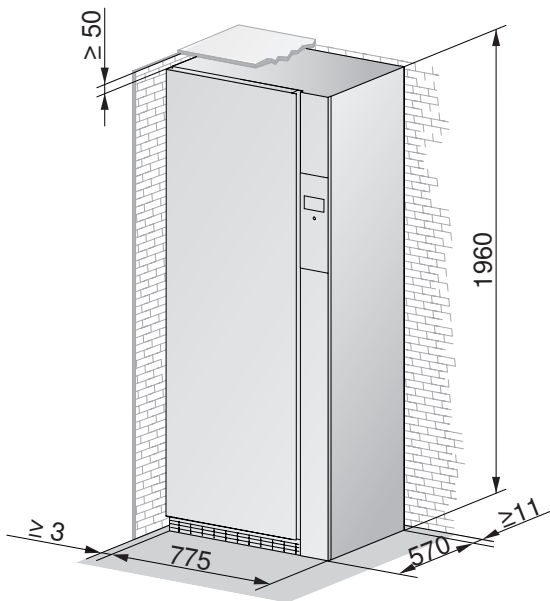
To prevent disturbing noise and vibration the appliance must not come into contact with the surrounding walls of its installation location. It is imperative to comply with the supplied installation instructions for positioning the appliance.

- ▶ The appliance must be horizontal and stable. Check with a spirit level.
- ▶ The appliance must not "wobble" in the case of a crosswise load.

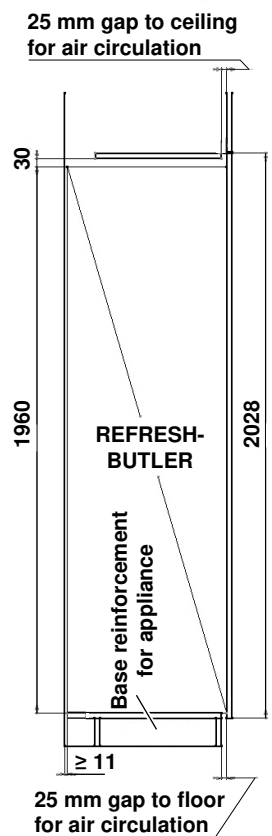
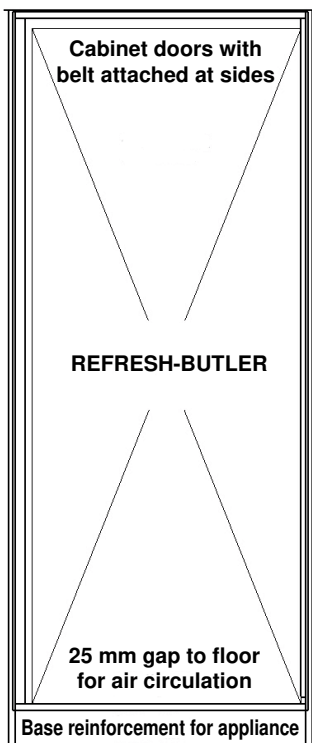
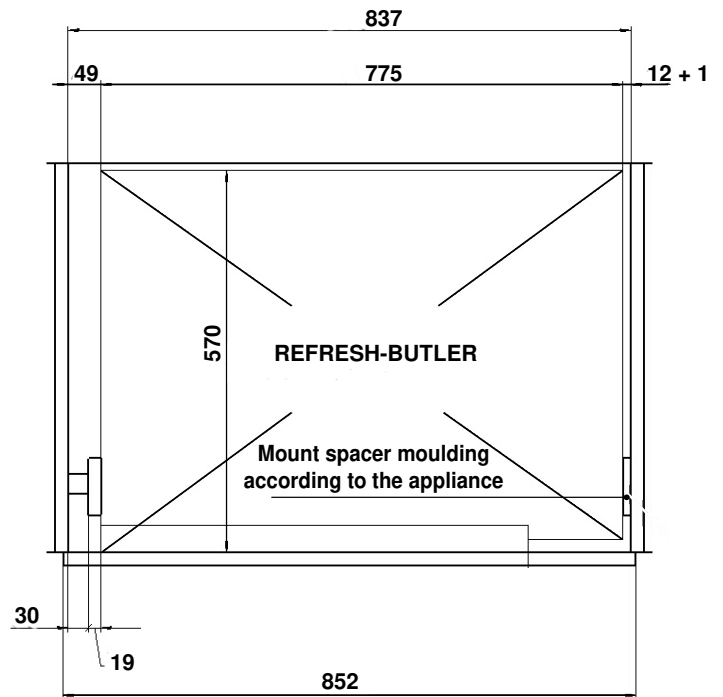
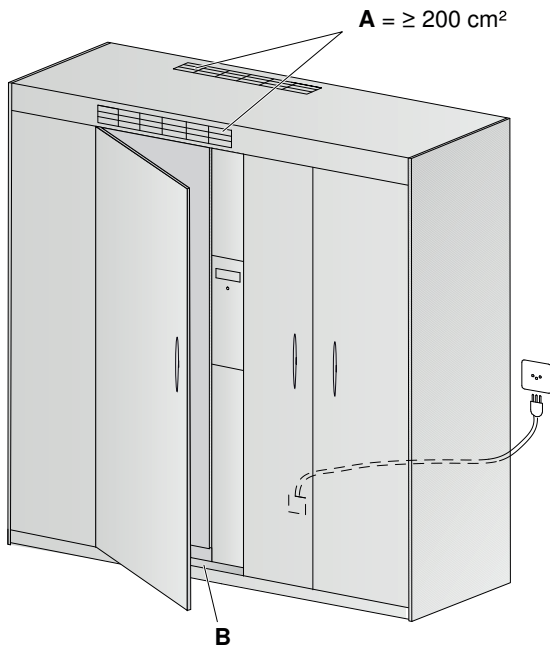
Free-standing position



When positioning a REFRESH-BUTLER so that it is free-standing, a distance of min. 3 mm must be kept to the walls to the left and right.



Positioning in a niche



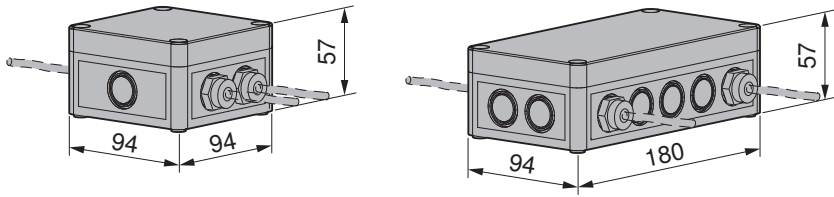
- A** Ventilation slit on the top at the back or above the cabinet door **B** Load-bearing capacity of cabinet floor: min. 170 kg



9 Accessories

| Designation | Article number | Model |
|---|----------------|-----------------------------|
| Washing machines / tumble dryers | | |
| Convenient storage drawer | W31357 | Adora |
| Washing machines | | |
| Drain hose set, 4 m (can be shortened) | W33543 | Adora SLQ, SLQ WP, SL, S, L |
| Aqua-Stop hose, 3m, with volume flow switch * | W31427 | Adora SLQ, SLQ WP, SL, S, L |
| Hose support (included in the scope of delivery) | 80868039 | Adora SLQ, SLQ WP, SL, S, L |
| Control panel aid for blind people | W41208 | Adora S |
| | W41209 | Adora L |
| * Has to be installed by Customer Services | | |
| Tumble dryers | | |
| Combi drainage set | W55969 | Adora TSL WP, TS WP, TL WP |
| Condensate drain kit (included in the scope of delivery) | W56298 | Adora TSL WP, TS WP, TL WP |
| Backflow preventer | W50028 | Adora TSL WP, TS WP, TL WP |
| Drying basket set | W55884 | Adora TSL WP, TS WP, TL WP |
| Tower panel (included in the scope of delivery) | W55687 | Adora TSL WP, TS WP, TL WP |
| 130 ° door stop for niche installation | W54086 | Adora TSL WP, TS WP, TL WP |
| Control panel aid for blind people | W41217 | Adora TS WP |
| | W41218 | Adora TL WP |
| REFRESH-BUTLER | | |
| 5 clothes hangers (included in the scope of delivery) | W54789 | |
| 1 basket (included in the scope of delivery) | W57115 | |
| durgol swiss steamer descaler (included in the scope of delivery) | B28006 | |

Using the control set option (current sensor module with relay module)



If no connection option is present on the range hood, a control set option can be obtained from V-ZUG to control a replacement air unit. This means that when the range hood is switched on, a flap or a window opens and external air flows into the kitchen. An opening in an external wall is required to install a flap. **Note:** Space must be provided to position the control set option and there will be additional costs.

For 230 V~/max. 16 A:

Article no.

Control set option SSM230

P60036

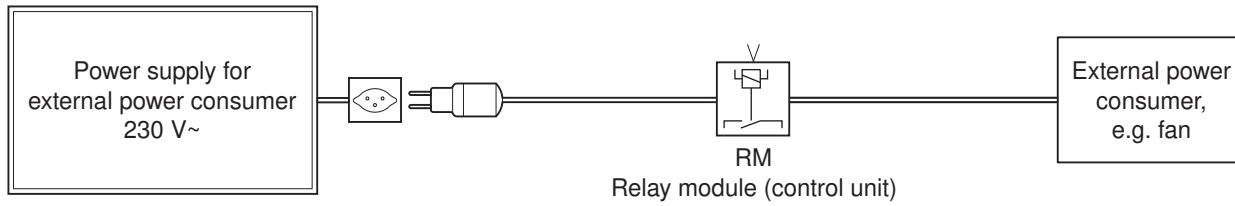
Consisting of:

1 current sensor module cpl. SSM1

P60031

1 relay module cpl. RM

P60033





10 Notes





CONTACT IN THE COUNTRIES

Australia:

V-ZUG Australia Pty. Ltd
2/796 High Street East Kew Vic 3102
PO Box 864, Kew 3101, VIC
Australia
Tel. +61 3 985 956 00
enquiries.au@vzug.com
www.vzug.com.au

Belgium & Luxembourg:

V-ZUG Europe BVBA
Evolis 102
8530 Harelbeke, Belgium
Tel. 00800 850 850 00
Tel. +32 56 61 60 00
info.be@vzug.com
www.vzug.be

China:

V-ZUG (Shanghai) Co., Ltd
1344, 1350 Yuyuan Road
Changning District
200050 Shanghai, China
Tel. +86 400 820 16 50
service@vzug.com.cn

Germany:

V-ZUG Europe BVBA
Schlossstraße 14b, 1st floor
82031 Grünwald, Germany
Tel. 00800 850 850 00
kundendienst.de@vzug.com
www.vzug.de

France:

V-ZUG Europe BVBA
3, rue de Téhéran
75008 Paris, France
Tel. 00800 850 850 00
Tel. +32 56 61 60 00
info.fr@vzug.com
www.vzug.fr

Israel:

Isfar Consumer Products Ltd.
7 Sapir street Industrial Zone
46852 Herzliya
Israel
Tel. +972 180 030 80 90

Italy:

FRIGO 2000 SERVICE SRL
Via Mazzini 5
20835 Muggiò (MI), Italy
Tel. +39 039 79 09 00
assistenza@frigo2000.it
www.frigo2000.it

Lebanon:

C-Design Showroom
Concept Design Unlimited sarl
Ashrafieh – Ashrafieh St.
Beirut, Lebanon
Tel. +961 12 05 999
da@c-design.com.lb

The Netherlands:

V-ZUG Europe BVBA
Evolis 102
8530 Harelbeke, Belgium
Tel. 00800 850 850 00
info.eu@vzug.com
www.vzug.nl

Norway & Sweden:

Rikall Norge AS
Hylkjeplatn 18, inngang B
5109 Hylkje, Norway
Tel. +47 55 53 44 00
post@rikall.no
www.rikall.no

Russia:

OOO HomeTek
ulista Shepkina 25/20
129090 Moscow
Russian Federation
Tel. +7 495 781 00 55
Fax +7 495 781 00 55

Singapore & Malaysia:

KHL Marketing Asia Pacific Pte Ltd
KHL Building
25 New Industrial Road no. 02-01
SG-536211 Singapore
Tel. +65 630 890 88 (Singapore)
Tel. +60 322 875 010 (Malaysia)
info@khlmktg.com

Turkey:

HACK Ltd. Şti.
Tekstil Kent Koza Plaza
A-Blok Kat: 11 No: 40
34235 Esenler/İstanbul, Turkey
Tel: +90 800 211 03 33
info@vzug-tr.com

United Kingdom & Ireland:

V-ZUG Europe BVBA
Evolis 102
8530 Harelbeke, Belgium
Tel. +44 843 289 57 59
info.uk@vzug.com
www.vzug.co.uk

Ukraine:

MIRS Corporation
Osipova street 37, Office 550
65012 Odessa, Ukraine
Tel. +38 482 30 55 33
mirs@tango.com.ua
www.mirs.com.ua

CONTACT IN SWITZERLAND

V-ZUG Ltd
Industriestrasse 66, 6301 Zug
Switzerland

Service & Support International

Tel. +41 58 767 67 78
service-support@vzug.com

