

**INDUCTION/
TOPTRONIC**



**Flush, new cut-out
dimensions as of
april 2013**

International market



Contents

1	Worktop cut-outs	4
1.1	Installation dimension 30	4
1.2	Installation dimension 40	4
1.3	Installation dimension 60	5
1.4	Installation dimension 80	6
1.5	Installation dimension 90	7



Dear Customer

From 2013, the cut-out dimensions will be increased for most flush induction/toptronic hobs. In the planning aid, you will find the dimensions of our existing hobs in the left-hand side column and the new dimensions of hobs that will be delivered as of april 2013 in the right-hand side column.

Of course we will continue to stock hobs with the existing dimensions for replacements.

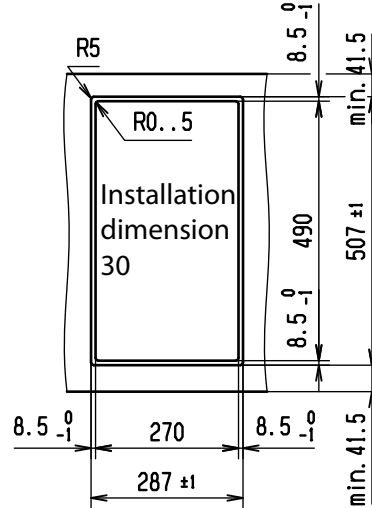
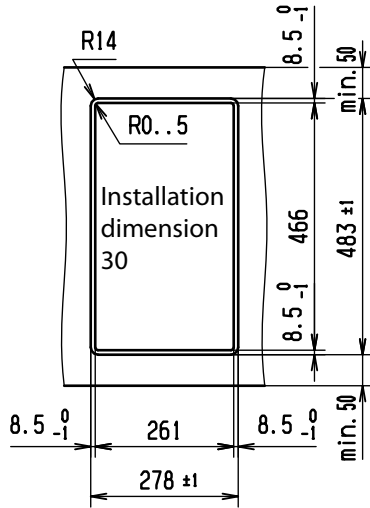
Thank you for reading this information.

Your V-ZUG Ltd



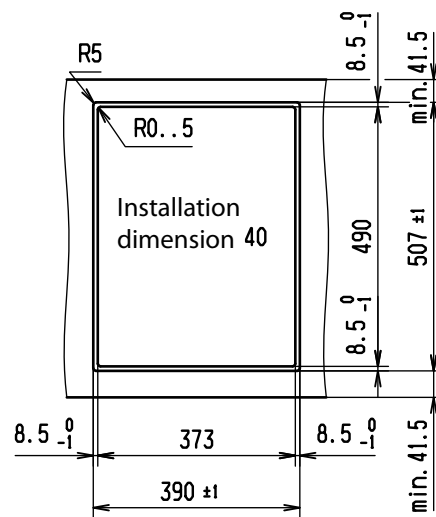
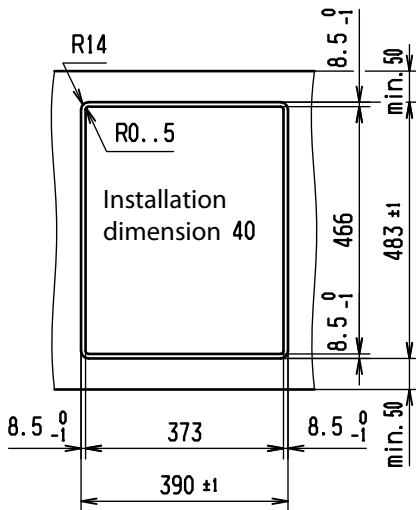
1 Worktop cut-outs

1.1 Installation dimension 30



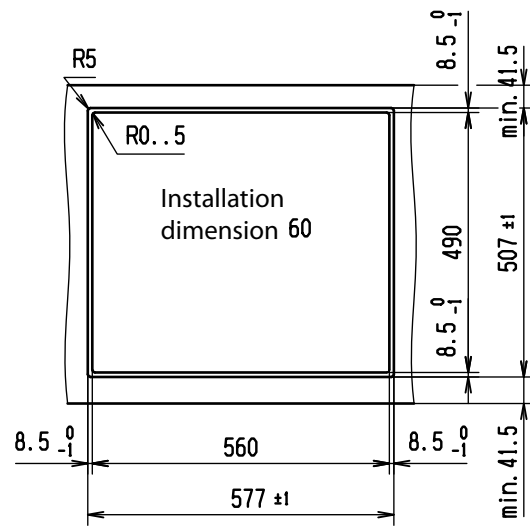
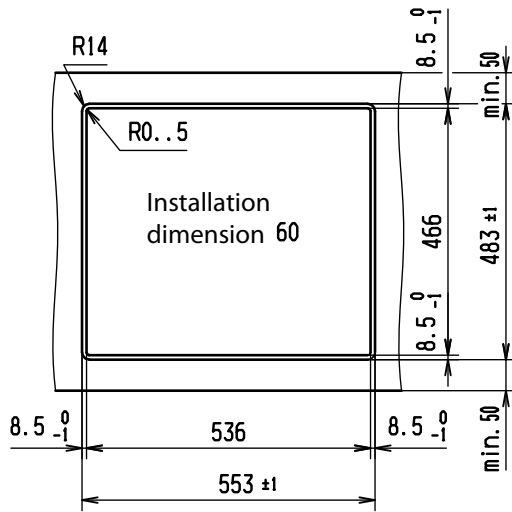
*** Up to march 2013 ***		*** From april 2013 ***		
Model	Type		Model	Type
84A	GK26TIMSF	Induction	31011	GK26TIMS.1F

1.2 Installation dimension 40



*** Up to march 2013 ***		*** From april 2013 ***		
Model	Type		Model	Type
87A	GK16TIWSF	Induction	31010	GK16TIWS.1F
85A	GK16TIYSF	"	31008	GK16TIYS.1F

1.3 Installation dimension 60



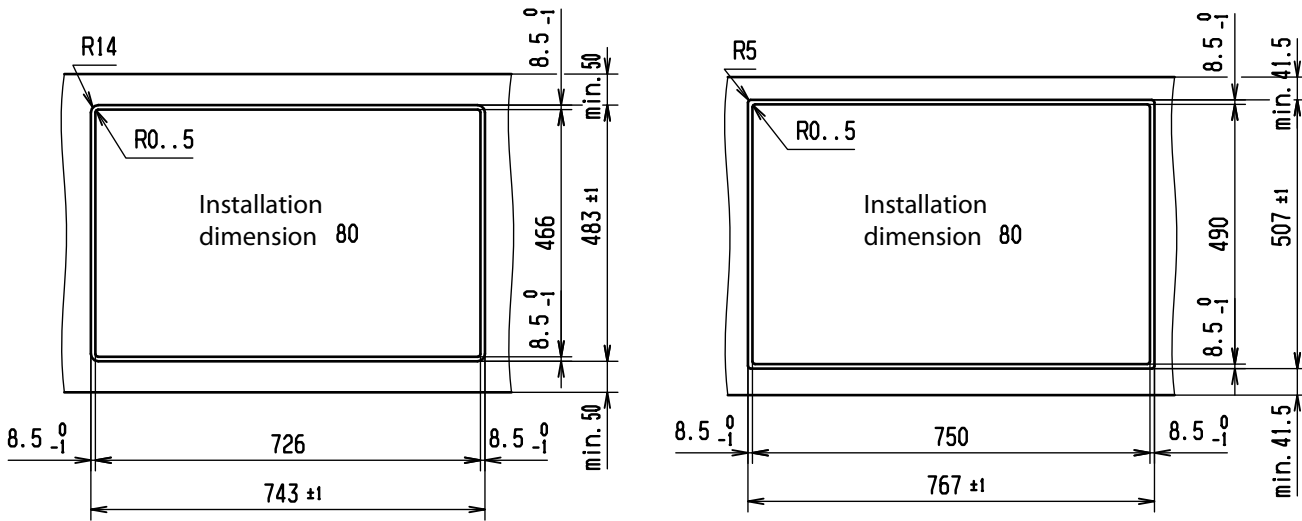
*** Up to march 2013 ***			*** From april 2013 ***	
Model	Type		Model	Type
032	GK46TEBSF.1F	Toptronic	31028	GK45TEBS.2F ¹⁾
86A	GK26TIYSF	Induction	31009	GK26TIYS.1F
008	GK36TIF	"	31013	GK36TIS.1F ²⁾
95A	GK46IDF	"	31021	GK46ID.1F ³⁾
88A	GK46TIF	"	31014	GK46TIMS.1F

¹⁾ not for China

²⁾ not for Israel

³⁾ not for China, Israel, Australia

1.4 Installation dimension 80



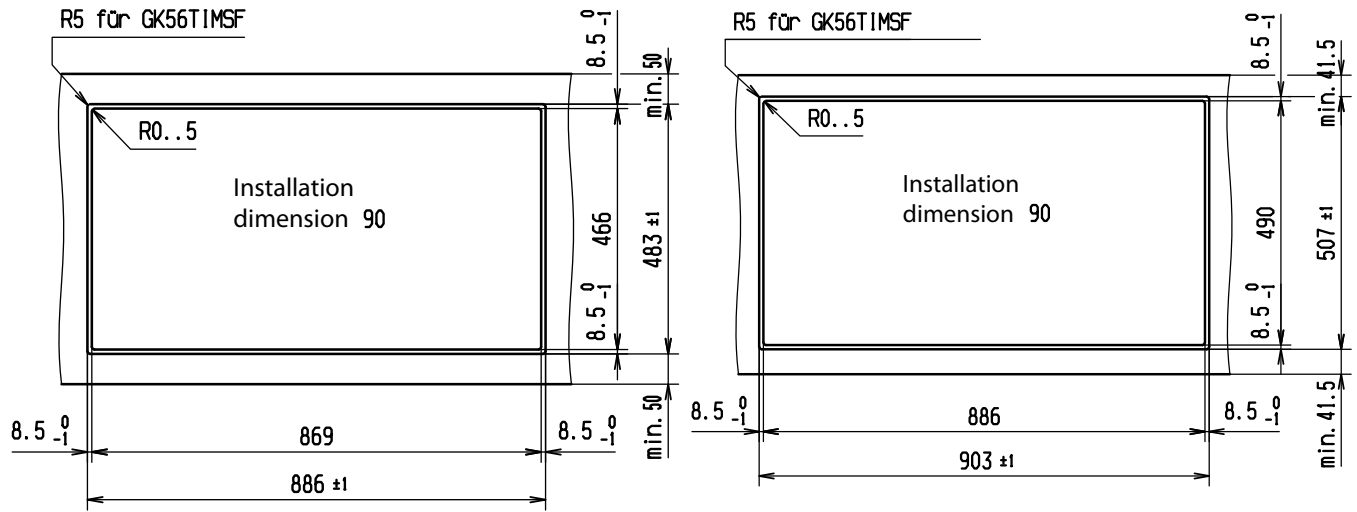
*** Up to march 2013 ***			*** From april 2013 ***	
Model	Type		Model	Type
977	GK45TEASF	Toptronic	31026	GK45TEAS.1F ¹⁾
96A	GK46IABDF	Induction	31022	GK46IABD.1F ²⁾
028	GK46TIABSF	"	31017	GK46TIABS.1F ³⁾

¹⁾ not for Singapore, China

²⁾ not for Australia

³⁾ not for Singapore

1.5 Installation dimension 90



*** Up to march 2013 ***		*** From april 2013 ***	
Model	Type	Model	Type
89A	GK56TIMSF	Induction	31020 GK56TIMS.1F

