

Planning aid

International collection
Laundry room appliances
2024/2025

Note on content

Please note

This planning aid applies to the specified model numbers only. Older planning aids for earlier generation models may be requested in electronic form from our Customer Services.

This planning aid is not to be used as installation instructions! The regulations and instructions binding for the appliance installation are to be obtained from the installation instructions packed with the appliances. The installation instructions can also be downloaded from the internet from www.vzug.com/b2b.

Changes

Text, diagrams and data correspond to the technical standard of the appliances at the time this planning aid went to press. The right to make technical modifications for the purpose of the further development of the appliances is reserved. The German, English, French and Italian versions are binding. V-ZUG accepts no liability for translations in other languages.

Symbols used



Symbol ISO 7010 W021

WARNING: Risk of fire / Flammable materials



Denotes important safety precautions.

Failure to observe said precautions can result in injury or in damage to the appliance or fittings!

- ▶ Indicates an instruction.
- Indicates a list.



Information and precautions that should be observed.

Supplementary documents

In this planning aid, occasional reference is made to supplementary documents. These documents can be requested from the Head Office in Zug by sending an e-mail to service-support@vzug.com.

Useful links

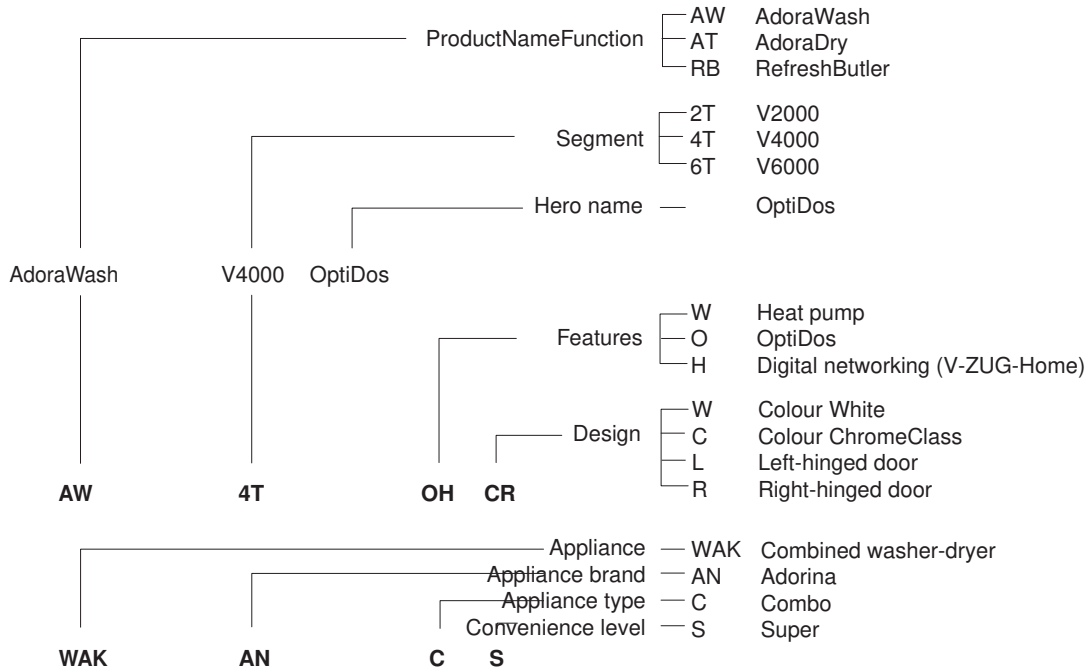
- www.vzug.com
- www.vzug.com/b2b/
- www.lifestyle.vzug.com

Key to country groups

Country group	Country code (in accordance with ISO 3166)
A	EU European Union, TR Turkey, IL Israel, LB Lebanon, NO Norway
B	GB Great Britain
C	HK Hong Kong, MO Macao, SG Singapore, TH Thailand, VN Vietnam
D	AU Australia, NZ New Zealand
E	RU Russia, UA Ukraine
F	CN China



Explanation of terms





Contents

1 Appliance overview	5
1.1 Validity	5
1.2 Installation plate	5
1.3 Washer-dryer towers	6
1.4 Convenient storage drawer	6
2 Electrical connections	7
2.1 General operating conditions	7
2.2 Using residual current devices in house wiring system / fault current	7
3 Plumbing in	8
3.1 Washing machines	8
3.2 Tumble dryers	10
3.3 Washer-dryer combination	10
3.4 Combined washer-dryer	13
4 Installation plate (W40653)	14
4.1 General condition	14
4.2 Fastening to the floor	14
5 Washing machines	15
5.1 Electrical connection data	15
5.2 Dimensions	15
5.3 Installation space	16
5.4 Positioning	16
6 Tumble dryers	19
6.1 Electrical connection data	19
6.2 Dimensions	19
6.3 Installation space	20
6.4 Positioning	21
7 Washer-dryer towers	25
7.1 Installation space	25
7.2 Positioning	25
8 Convenient storage drawer	29
8.1 Dimensions	29
9 Combined washer-dryer	30
9.1 Electrical connection data	30
9.2 Dimensions	30
9.3 Installation space	31
9.4 Positioning	32
10 Textile care system	33
10.1 Electrical connection data	33
10.2 Dimensions	33
10.3 Installation space	34
10.4 Positioning	35
11 Accessories	39
11.1 General accessories	39
11.2 Washing machines	39
11.3 Tumble dryers	39
11.4 Textile care system	39
11.5 Combined washer-dryer	40
12 V-ZUG-Home	41
12.1 Internet access	41
12.2 Scope of delivery	41
12.3 Connecting to the home network	41
Index	42
13 Notes	43

1 Appliance overview

1.1 Validity

The model number corresponds to the first alphanumeric characters of the serial number SN (or FN) on the identification plate.



Fire hazard! Models 12017, 12019 contain the refrigerant R290, an environmentally friendly but flammable refrigerant. Keep open fire, ignition and/or heat sources such as burning candles, incense sticks, room heaters and the like away from the appliances.

Excellence Line

Product	Model number	Product	Model number
Washing machines		Tumble dryers	
AdoraWash V2000	11021, 11041	AdoraDry V2000	12011
AdoraWash V4000	11023, 11042	AdoraDry V2000	12017 *
AdoraWash V6000	11025, 11043	AdoraDry V6000	12013
		AdoraDry V6000	12019 *
Textile care system			
RefreshButler V6000	14003		

* Model contains the flammable refrigerant R290.

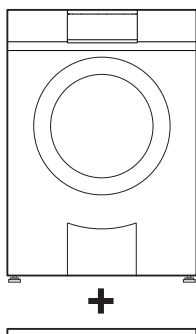
Advanced Line

Product	Model number
Combined washer-dryer	
Adorina CS	11018

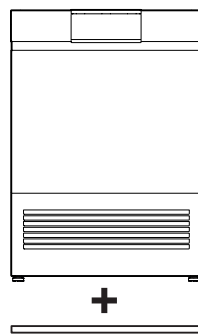
1.2 Installation plate

The installation plate W40653 supplied must be used with all Excellence Line appliances (see page 14).

AdoraWash

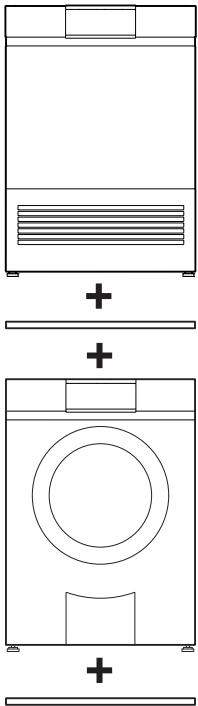


AdoraDry



1.3 Washer-dryer towers

Washing machines and tumble dryers from the Excellence Line can be combined to form a washer-dryer tower (see page 25), in which case the installation plate W40653 must be used.

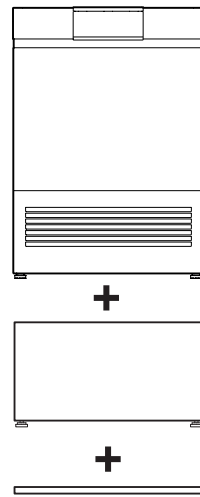
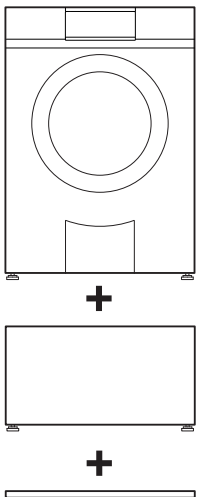


1.4 Convenient storage drawer

Appliances from the Excellence Line can be combined with a convenient storage drawer (see page 29), in which case the installation plate W40653 must be used (see page 14).

AdoraWash
V4000, V6000

AdoraDry
V2000, V6000



All the necessary installation accessories are supplied with the convenient storage drawer.



2 Electrical connections



Electrical connections must be carried out by qualified personnel in accordance with the guidelines and standards for low-voltage installations and the specifications of the local electricity supply companies.

A plug-in appliance may only be connected to a socket outlet with earthing contact, installed according to specifications. An all-pole mains isolating device with 3 mm contact opening should be provided in the house wiring system. Switches, plug and socket devices, circuit breakers and fusible cut-outs which are accessible after installation and which have all-poles switching are permissible as isolating devices. Effective earthing and separately installed neutral and earth conductors ensure safe and fault-free operation. After installation, live parts and cables with basic insulation must not be accessible. Check old installations.



Before connecting the appliance ensure that the installation is designed for appliances with a rated current of over 13 A. If you are unsure, consult an authorized electrician.

2.1 General operating conditions



Detailed information on the electrical connection data can be found at the beginning of each section.

Value	Country group *	Nominal value	Minimum	Maximum
Voltage	A, B, E	230 V	207 V	253 V
	C, D, F	220–240 V	198 V	
Frequency	A, B, C, D, E, F	50 Hz sinusoidal	49 Hz sinusoidal	51 Hz sinusoidal

* Key (see page 2)

- Short duration frequency variation in the mains: ± 1 Hz
- Long duration frequency stability in the mains (for synchronous clocks): ± 10 ppm
- Protection type IP: IP-X4
- Operating height: Electrical safety is guaranteed up to 2,000 m above sea level.

2.2 Using residual current devices in house wiring system / fault current

Washing machines have an inherently high fault current. The values can be affected by various factors and vary widely. In accordance with the norm, fault currents of up to approximately 10 mA per appliance are permissible. The values are measured in the warm operating state.

If residual current devices (RCDs) are used in the house wiring system, we recommend that the above-mentioned appliances have their own RCD protection, separate from the power supply for the rest of the system. The tripping current of the RCD should be selected to be 30 mA or higher.

3 Plumbing in

3.1 Washing machines

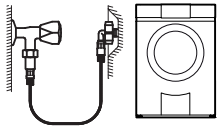
Comply with the regulations laid down by the local water supply authority for the layout of the supply pipe and drainage.

General operating conditions

Value		Nominal value	Minimum	Maximum
Mains pressure (0.1 MPa = 1 bar)	Static	0.3 MPa	0.1 MPa	1.0 MPa
	Flowing	–	0.08 MPa	1.0 MPa
Water hardness *		–	0.5 °fH	50 °fH
Water inlet temperature	Cold water	–	5 °C	35 °C
Water inlet		G ³ / ₄ "	–	–
Drainage cross-section		ø internal 57 mm (on-site)	ø internal min. 19 mm	–

* For special cases with water hardness in excess of 50 °fH, an external water softener is recommended.

Water inlet



Appliance	Hose	Length	Connection	Optimal working pressure	Possible pressure range
AdoraWash V2000–V6000	Inlet hose with Aquastop	1.5 m	G ³ / ₄ "	0.3 MPa (3 bar)	0.1–1.0 MPa (1–10 bar)



Connection to a mixer tap or a continuous flow heater is not permitted!

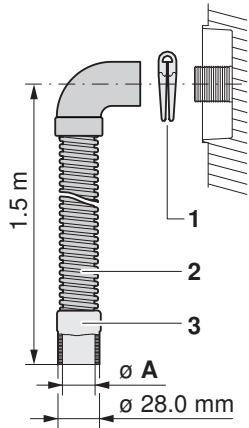


Special lengths must be connected directly to the appliance. Using extensions to lengthen the inlet and drain hoses is not permitted. The connection point is the responsibility of the owner.

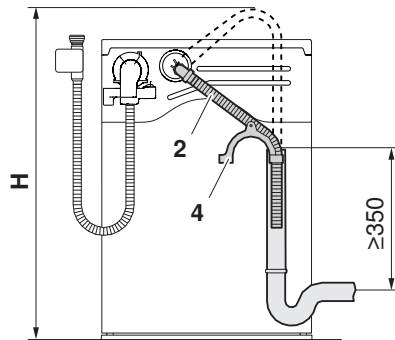
Water outlet



V-ZUG does not supply or install drain-traps. Follow the drain-trap manufacturer's instructions.

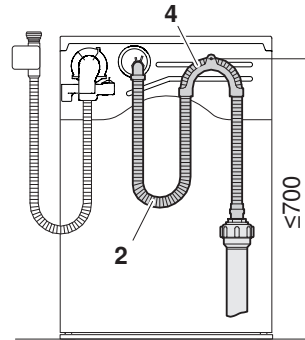


Drainage into fixed upright outflow pipe



► Shorten drain hose 2 to necessary length.

Drainage into a bath tub or sink, etc.



► Drain hose 2 may not be shortened!

- 1 Hose clamp
- 2 Drain hose
- 3 Rubber connection
- 4 Hose support

Appliance	Drain hose material	Hose length	Connection A	Pumping height H of drain pump from floor
AdoraWash V2000-V6000	Corrugated plastic hose	1.5 m	ø internal 21.5 mm	≤1200 mm

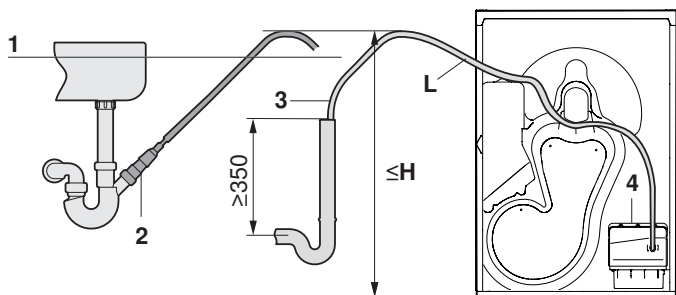
3.2 Tumble dryers

V-ZUG does not supply or install drain-traps. Follow the drain-trap manufacturer's instructions.

Direct drainage

- Use a drain trap with an open-top fixed upright outflow pipe.
- For a connection to a sink drain trap, position the drain hose above the overflow line 1.

AdoraDry



- 1 Overflow line
- 2 Connection to sink drain trap, set W53070 (see page 39)
- 3 Condensate drain kit W56298 (series standard)
- 4 Drain pump

Appliance	Drain hose material	Hose length L	Connection	Pumping height H of drain pump 4 from floor
AdoraDry V2000, V6000	Smooth PVC hose	2.5 m	ø external 10.5 mm	≤1200 mm

3.3 Washer-dryer combination

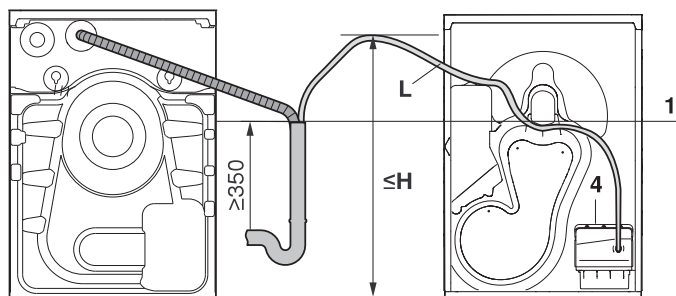
V-ZUG does not supply or install drain-traps. Follow the drain-trap manufacturer's instructions.

Connection to drain trap with open-top fixed upright outflow pipe

Appliances installed side by side with separately routed drainage pipe

- Position the drain hose from the tumble dryer above the overflow line 1.

AdoraWash & AdoraDry

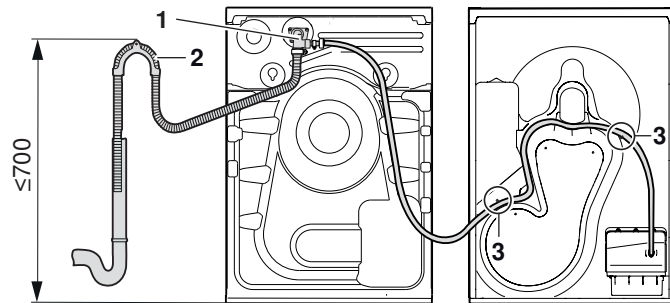


Appliance	Drain hose material	Hose length L	Connection	Pumping height H of drain pump 4 from floor
AdoraDry V2000, V6000	Smooth PVC hose	2.5 m	ø external 10.5 mm	≤1200 mm

Appliances installed side by side with combi drainage set W55969

- ▶ Fix hose end with hose support 2.
- ▶ Secure drain hose to lugs 3 on the tumble dryer so that it cannot kink.

AdoraWash & AdoraDry

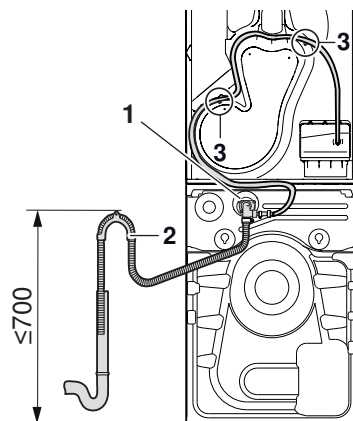


- 1 Combi drainage set W55969 (see page 39)
- 2 Hose support
- 3 Lugs

Washer-dryer tower with combi-drainage set W55969

- ▶ Fix hose end with hose support 2.
- ▶ Secure drain hose to lugs 3 on the tumble dryer so that it cannot kink.

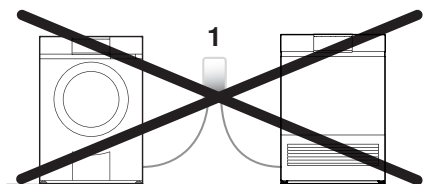
AdoraWash & AdoraDry



- 1 Combi drainage set W55969 (see page 39)
- 2 Hose support
- 3 Lugs

Connection to concealed drain-trap

V-ZUG does not supply or install concealed drain traps. Unused connections to the concealed drain trap must be sealed off. Where possible, the washing machine and tumble dryer should be connected to a separate concealed drain trap. Secure drain hoses with a clamp (included in the scope of delivery).



Water must be prevented from flowing from the washing machine into the tumble dryer!

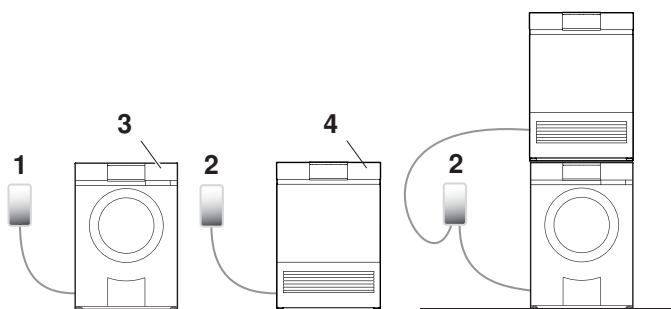


A washing machine and tumble dryer may only be connected to the same concealed drain trap 1 if the two appliances remain hydraulically separate from one another.

Without combi drainage set

Appliances installed side by side

Washer-dryer towers



Appliances installed side by side

If a tumble dryer and washing machine are installed side by side, each appliance must be connected to a separate concealed drain trap.

Tip: The combi drainage set 5 may be used if there is only one concealed drain trap 1.

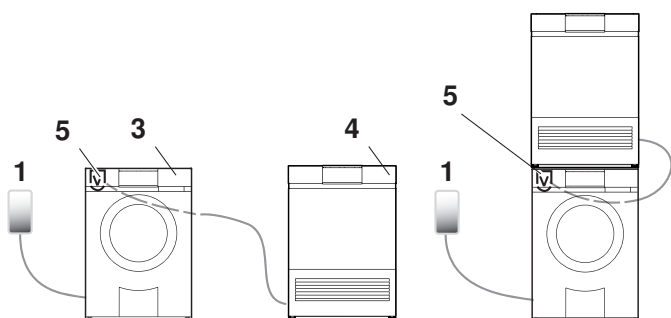
Washer-dryer towers

If a washing machine and tumble dryer from the Excellence Line without a combi drainage set are combined to form a washer-dryer tower, a concealed double drain trap can be used.

With combi drainage set W55969

Appliances installed side by side

Washer-dryer towers



Tumble dryers from the Excellence Line can be retrofitted with the accessory combi drainage set W55969 (5). It permits the water outlet of a washing machine and a tumble dryer into one water outlet (concealed drain trap 1). The water from the tumble dryer is pumped by the pump into the water outlet of the washing machine.

- 1 Concealed drain trap
- 2 Concealed double drain trap
- 3 Washing machine
- 4 Tumble dryer
- 5 Combi drainage set W55969

3.4 Combined washer-dryer

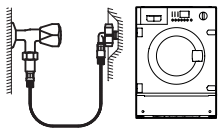
Comply with the regulations laid down by the local water supply authority for the layout of the supply pipe and drainage.

General operating conditions

Value		Nominal value	Minimum	Maximum
Mains pressure (0.1 MPa = 1 bar)	Static	0.3 MPa	0.05 MPa	0.9 MPa
	Flowing	–	–	0.9 MPa
Water hardness ¹		–	0.5 °fH	50 °fH
Water inlet temperature	Cold water	–	5 °C	35 °C
Water inlet		G ³ / ₄ "	–	–
Drainage cross-section		ø internal 57 mm (on-site)	ø internal min. 19 mm	–

¹ For special cases with water hardness in excess of 50 °fH, an external water softener is recommended.

Water inlet



Appliance	Hose	Length	Connection	Optimal working pressure	Possible pressure range
Adorina CS	Inlet hose with Aquastop	2.2 m	G ³ / ₄ "	0.3 MPa (3 bar)	0.05–0.9 MPa (0.5–9 bar)

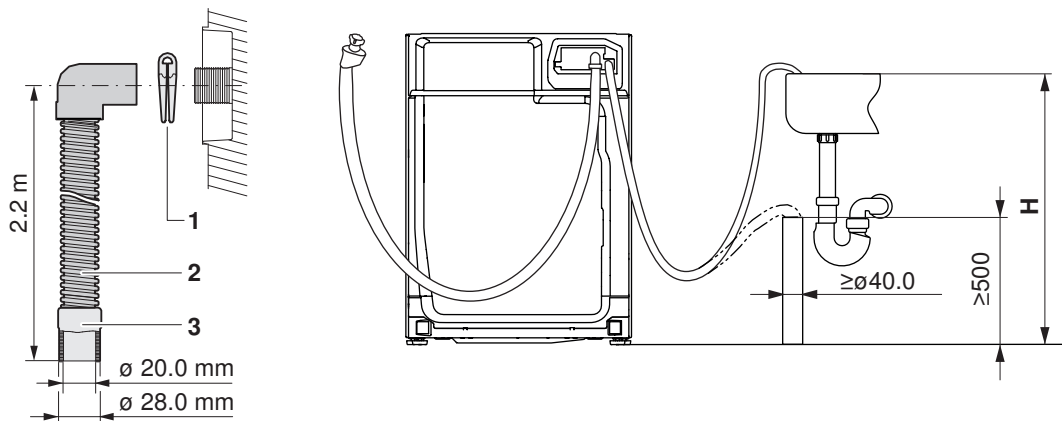


Connection to a mixer tap or a continuous flow heater is not permitted!

Water outlet



V-ZUG does not supply or install drain-traps. Follow the drain-trap manufacturer's instructions.




- 1 Hose clamp
- 2 Drain hose
- 3 Rubber connection

Appliance	Drain hose material	Hose length	Connection	Pumping height H of drain pump from floor
Adorina CS	Corrugated plastic hose	2.2 m	ø internal 20 mm	≤900 mm

4 Installation plate (W40653)

4.1 General condition


 **The installation plate is used as an installation aid and its use is obligatory. It can be fixed to the floor with double-sided adhesive tape or it can be screwed to the floor.**

Failure to observe said precautions can result in injury or in damage to the appliance or fittings!

It must be used with the following models, both stand-alone and washer-dryer tower:

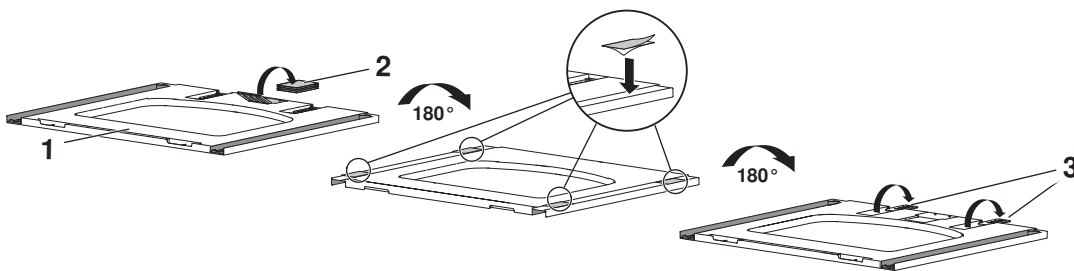
- AdoraWash
- AdoraDry
- AdoraCombiDry

4.2 Fastening to the floor

 **If a room has underfloor heating the installation plate may only be adhered (fastening material is included in the scope of delivery).**

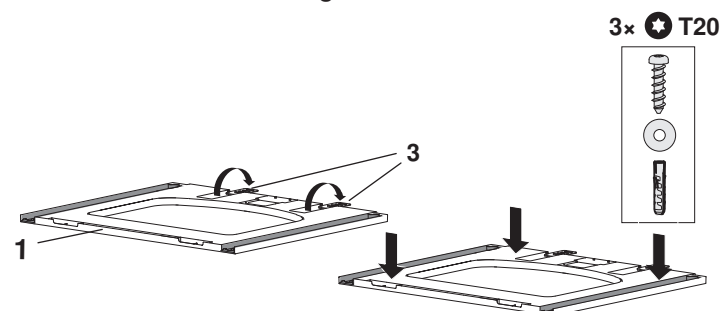
Failure to observe said precautions can result in injury or in damage to the appliance or fittings!

With underfloor heating



- ▶ Remove the double-sided adhesive tape **2**.
- ▶ Turn the installation plate **1** over so that the underside is facing upwards.
- ▶ Adhere the adhesive tape **2** to the underside of the installation plate **1**.
- ▶ Turn the installation plate **1** back over on its front.
- ▶ Fold out spacers **3**.
- ▶ Position and **adhere** the installation plate **1** to the floor according to the dimension specifications.

Without underfloor heating



- ▶ Fold out spacers **3**.
- ▶ Position and **screw** the installation plate **1** to the floor according to the dimension specifications.



5 Washing machines

5.1 Electrical connection data



General information on the electrical connections and an overview of the positions can be found in the Electrical connections (see page 7) section.



The fixed adapter (article no. 1245010) must be used in conjunction with the type K socket to ensure the safety of the product (earthing). Is supplied with appliances for Denmark (see page 39).

Appliance	Country group *	Mains connection	Rated load	Fuse	Mains connection cable
AdoraWash V6000	A	230 V~ 50 Hz	3500 W	16 A	1.8 m, with plug
	B, E	230 V~ 50 Hz	2100 W	10 A	
	C, D, F	220–240 V~ 50 Hz	2100 W	10 A	
AdoraWash V4000	A	230 V~ 50 Hz	3500 W	16 A	1.8 m, with plug
	C (SG), E	230 V~ 50 Hz	2300 W	10 A	
	C (HK), D	220–240 V~ 50 Hz	2300 W	10 A	
	F	220–240 V~ 50 Hz	2100 W	10 A	
AdoraWash V2000	A, B, E	230 V~ 50 Hz	2300 W	10 A	1.8 m, with plug
	C, D	220–240 V~ 50 Hz	2300 W	10 A	
	F	220–240 V~ 50 Hz	2100 W	10 A	

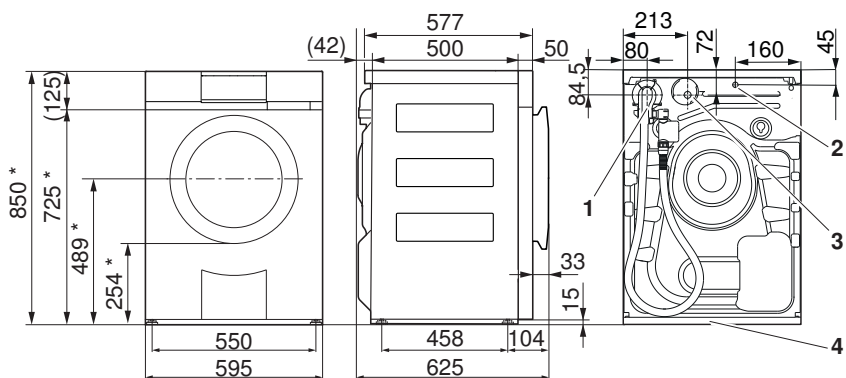
* Key (see page 2)

5.2 Dimensions

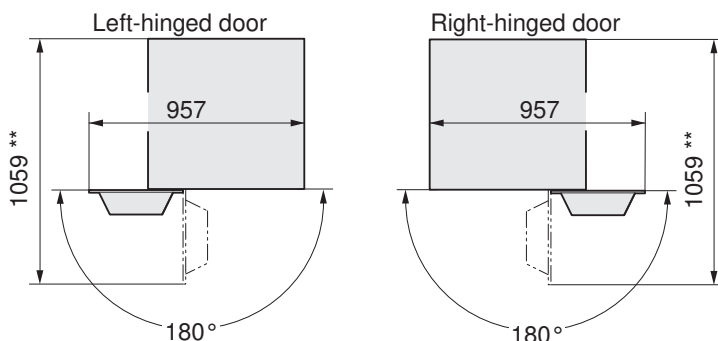


The stated dimensions do not include distances from walls. To prevent disturbing noise and vibration the appliances must not come into contact with the surrounding walls of their installation location.

AdoraWash V2000, V4000, V6000



- 1 Cold water connection
 - Length of inlet hose with Aquastop: 1.5 m
 - Connection G³/₄"
- 2 Outlet mains connection cable
 - Length: 1.8 m, with plug
- 3 Drain hose connection with elbow
 - Length of drain hose: 1.5 m
 - Pumping height of drain pump: ≤1200 mm
- 4 Installation plate



- * Incl. installation plate
- ** In order that the detergent dispenser drawer can be used without obstruction and be taken out for cleaning, the clearance space must be observed across the entire front of the appliance.

5.3 Installation space

General condition

! All Adora appliances are delivered with a transport lock fitted. It must be removed when installing and before using the appliance for the first time.

Damage to the appliance and surrounding equipment or furniture cannot otherwise be ruled out! Any costs incurred will not be borne by the appliance manufacturer.

! All Adora appliances must be mounted on the installation plate supplied. Only in this case is problem-free operation guaranteed. The appliances must be levelled by means of adjustable feet.

! The appliance actively balances unbalanced loads during spinning. To ensure problem-free operation, no soft, sound insulating underlay may be used.

Room temperature

Permissible room temperature: 5 °C to 35 °C

5.4 Positioning

! To prevent disturbing noise and vibration the appliance must not come into contact with the surrounding walls of its installation location. It is imperative to comply with the supplied installation instructions for positioning the appliance.

- ▶ The appliance must stand level and stable. Check with a spirit level.
- ▶ The appliance must not wobble in case of a crosswise load.

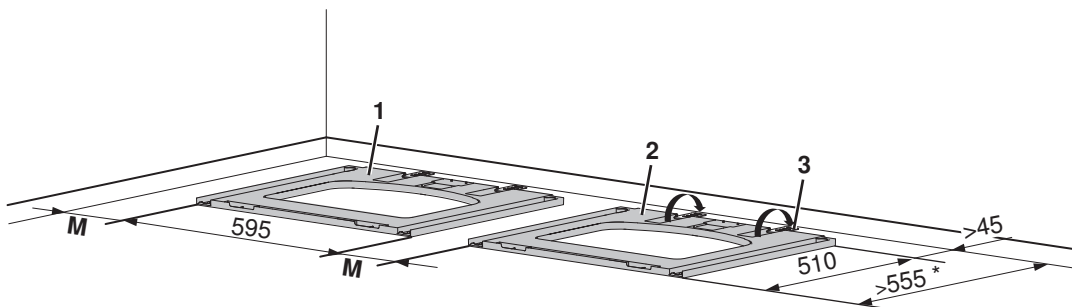
Installation plate (W40653)

! The installation plate is used as an installation aid and its use is obligatory (see page 14). It can be fixed to the floor with double-sided adhesive tape or it can be screwed to the floor.

Failure to observe said precautions can result in injury or in damage to the appliance or fittings!

Free-standing position

! The minimum distances to the side and back walls as well as between the two installation plates must be observed. The installation plates for washing machines and tumble dryers are the same.



Appliance on installation plate 1	Appliance on installation plate 2	Lateral distance M
Washing machine / Tumble dryer	Washing machine / Tumble dryer	≥5 mm
Convenient storage drawer	Washing machine / Tumble dryer	≥10 mm

* Dimensions only apply if no plumbing fittings are to be installed behind the appliance.

- ▶ Fold out spacers **3**.
- ▶ Position the installation plate **1/2** to the floor according to the dimension specifications.
- ▶ In the case of underfloor heating adhere the installation plate **1/2** into place, otherwise screw it into place (see page 14).
- ▶ Slide the appliances in.

! The condensed water hose and connection cable must not be crushed between the rear of the appliance and the wall or kinked during installation.

Installing in a niche

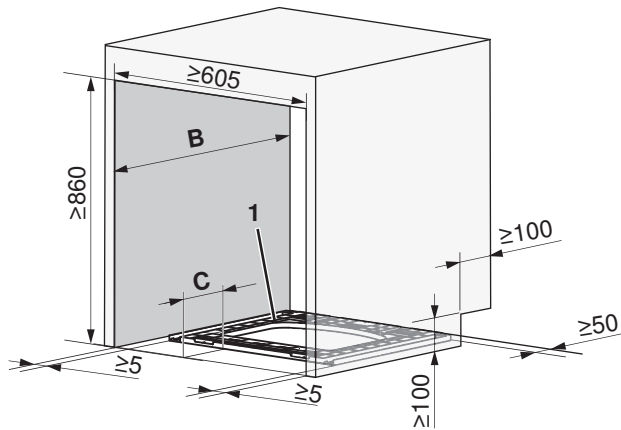


Do not install in closed niches or in cabinets with doors. If no programme selection is made, the appliance door opens automatically after 5 minutes and this can cause damage to the washing machine door and/or the niche door.

V-ZUG accepts no responsibility for any bacteria/germs and odours that form or any damage that may arise as a result.

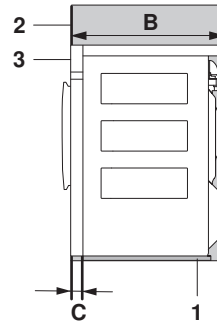
Open niche

Niche



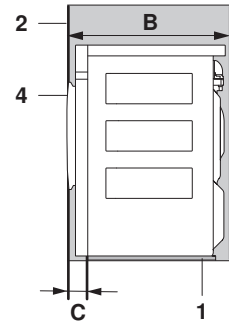
Niche front variants 2

Washing machine front 3



B ≥605
C ≥50

Washing machine door 4



B ≥638
C ≥83

Openings that must be provided in the side wall of the niche

- For connections and fresh air supply: Provide an opening of $\geq 100 \times 100$ mm in the left or right side wall of the niche.

Installing

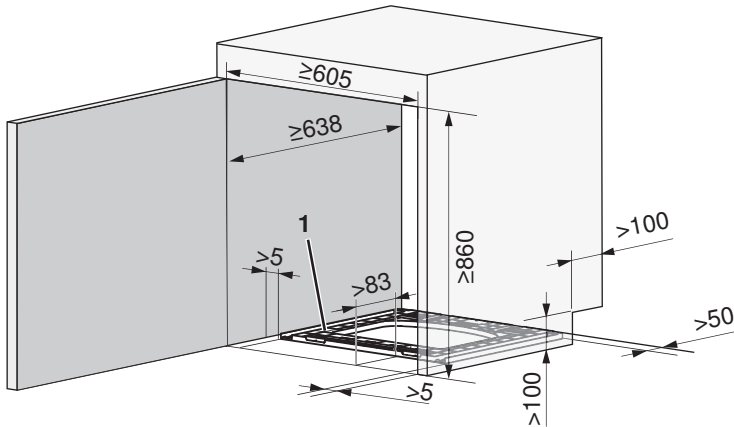
- Centre and position the installation plate **1** in the niche according to the niche dimensions.
- In the case of underfloor heating adhere the installation plate **1** into place, otherwise screw it into place (see page 14).
- Slide the appliance in.



The condensed water hose and connection cable must not be crushed between the rear of the appliance and the wall or kinked during installation.

Closed niche (variant A)

In the case of niche variant A, the niche door must be left open when the appliance is in operation.



Openings that must be provided in the side wall of the niche

- For connections and fresh air supply: Provide an opening of $\geq 100 \times 100$ mm in the left or right side wall of the niche.

Installing

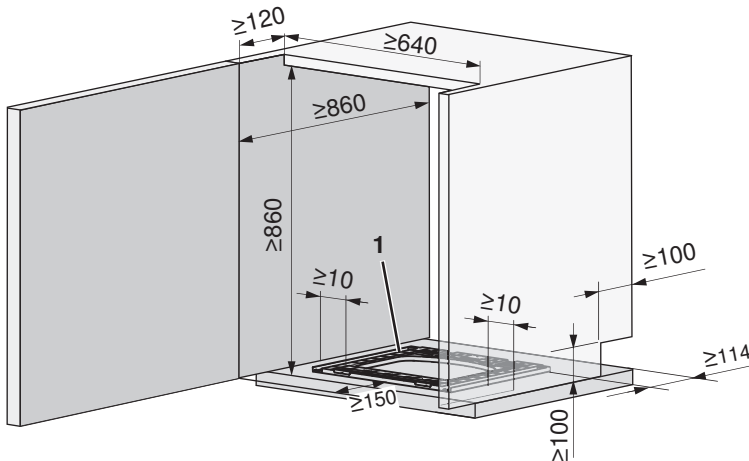
- Centre and position the installation plate 1 in the niche according to the niche dimensions.
- In the case of underfloor heating adhere the installation plate 1 into place, otherwise screw it into place (see page 14).
- Slide the appliance in.



The condensed water hose and connection cable must not be crushed between the rear of the appliance and the wall or kinked during installation.

Closed niche (variant B)

In the case of niche variant B, the niche door may be left closed at all times.



Openings that must be provided in the side wall of the niche

- For connections and fresh air supply: Provide an opening of $\geq 100 \times 100$ mm in the left or right side wall of the niche.
- For fresh air supply: Provide an opening of $\geq 120 \times 640$ mm (= 800 cm^2) across the entire width of the niche between the niche door and the appliance.

Installing

- Centre and position the installation plate 1 in the niche according to the niche dimensions.
- In the case of underfloor heating adhere the installation plate 1 into place, otherwise screw it into place (see page 14).
- Slide the appliance in.



The condensed water hose and connection cable must not be crushed between the rear of the appliance and the wall or kinked during installation.



6 Tumble dryers

The following tumble dryers are condenser dryers with a heat pump. The process circuit of the heat pump dryer is completely closed. The hot humid air is cooled and condensed in the 1st heat exchanger and then re-heated in the 2nd heat exchanger.

The heat pump dryer has roughly half the energy consumption of conventional tumble dryers, a higher air flow rate and a lower drying temperature. This results in particularly gentle drying, especially suitable for heat-sensitive textiles such as synthetics and blended fabric.

6.1 Electrical connection data



General information on the electrical connections and an overview of the positions can be found in the Electrical connections (see page 7) section.



The fixed adapter (article no. 1245010) must be used in conjunction with the type K socket to ensure the safety of the product (earthing). Is supplied with appliances for Denmark (see page 39).

Appliance	Country group *	Mains connection	Rated load	Fuse	Mains connection cable
AdoraDry V6000	A, B, D, E	220–240 V~ 50 Hz	1050 W	10 A	1.8 m, with plug
	C, F	220–240 V~ 50 Hz	1050 W	10 A	1.8 m, with plug
AdoraDry V2000	A, B, D, E	220–240 V~ 50 Hz	750 W	10 A	1.8 m, with plug
	C, F	220–240 V~ 50 Hz	750 W	10 A	1.8 m, with plug

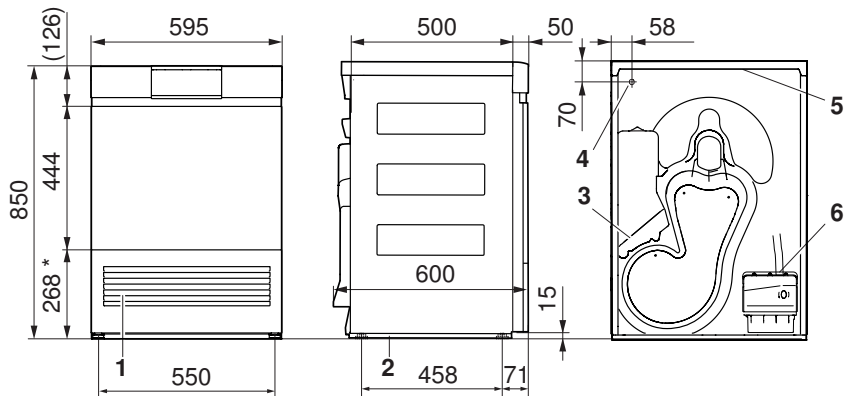
* Key (see page 2)

6.2 Dimensions



The stated dimensions do not include distances from walls. To prevent disturbing noise and vibration the appliances must not come into contact with the surrounding walls of their installation location.

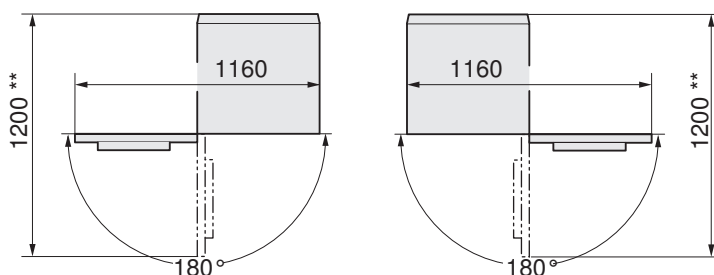
AdoraDry V2000, V6000



- 1 Cooling air inlet
- 2 Installation plate
- 3 Cooling air outlet
- 4 Outlet mains connection cable
 • Length: 1.8 m, with plug
- 5 Tower panel
- 6 Condensate drain
 • Drain connection: ø10.5 mm
 • Length of drain hose: 2.5 m
 • Pumping height of drain pump: ≤1200 mm

Left-hinged door

Right-hinged door



- * Incl. installation plate
- ** Clearance space across the whole width of the front

6.3 Installation space

General condition



To prevent an impermissible rise in temperature and humidity, inlet and outlet openings to an adjacent room or to the outside must be available (open windows, ventilation grilles or slots in the door, ventilation systems). On the other hand there is the possibility of using the waste heat.

Normal bathroom extractor fans are not adequate for optimal room ventilation. They switch off with the light after a preset after-running time.

Heat pump dryers affect their environment like a heater blower with a heat output of approx. 700 W.



All Adora appliances must be mounted on the installation plate supplied. Only in this case is problem-free operation guaranteed. The appliances must be levelled by means of adjustable feet.

The room must be kept free of dust and fluff.

Room temperature

Permissible room temperature: 5 °C to 35 °C



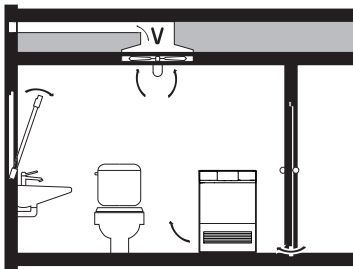
The room temperature must be kept between the range of 15–25 °C to ensure the economic running of the appliance. A room temperature of over 35 °C is critical and extends the duration of the individual programmes. High temperatures can also result in error messages and impair the service life of the appliance.

Ventilation

As a general rule, rooms containing heat pump dryers should be ventilated as these produce a small amount of moisture. For each heat pump dryer, the passage of exhaust and intake air must be guaranteed. EXHAUST AIR requires INTAKE AIR. At least the same amount of air must be supplied to as is being extracted from the room.

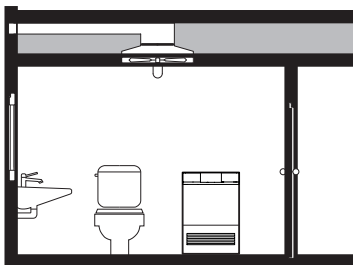
Ventilation concepts

Installation room volume <math><20\text{ m}^3</math>



- ▶ There must be air inlet and outlet openings (open window, ventilation grille or slits in the door, ventilation system) to the adjacent room or to the outside.
- ▶ Operation is trouble-free with an air circulation rate from 15 m³/h.

Installation room volume $\geq 20\text{ m}^3$, room kept closed



- ▶ Condensation may form on thermal bridges!
- ▶ The room must be aired (by opening the door to or a window in the room) between consecutive drying programmes!

6.4 Positioning



To prevent disturbing noise and vibration the appliance must not come into contact with the surrounding walls of its installation location. It is imperative to comply with the supplied installation instructions for positioning the appliance.

- ▶ The appliance must stand level and stable. Check with a spirit level.
- ▶ The appliance must not wobble in case of a crosswise load.

Installation plate (W40653)



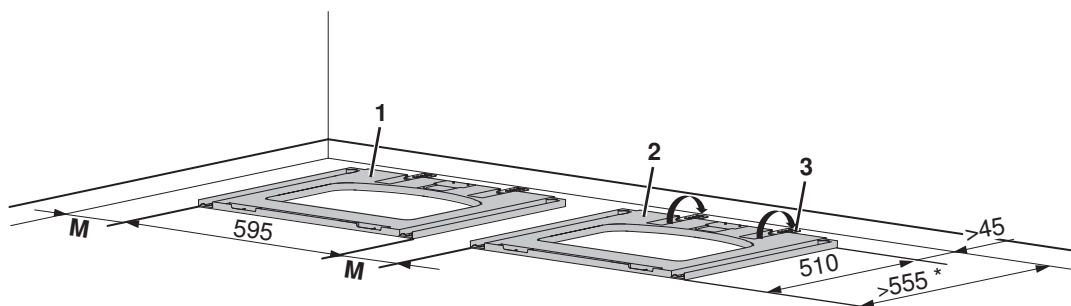
The installation plate is used as an installation aid and its use is obligatory (see page 14). It can be fixed to the floor with double-sided adhesive tape or it can be screwed to the floor.

Failure to observe said precautions can result in injury or in damage to the appliance or fittings!

Free-standing position



The minimum distances to the side and back walls as well as between the two installation plates must be observed. The installation plates for washing machines and tumble dryers are the same.



Appliance on installation plate 1	Appliance on installation plate 2	Lateral distance M
Washing machine / Tumble dryer	Washing machine / Tumble dryer	≥5 mm
Convenient storage drawer	Washing machine / Tumble dryer	≥10 mm

* Dimensions only apply if no plumbing fittings are to be installed behind the appliance.

- ▶ Fold out spacers 3.
- ▶ Position the installation plate 1/2 to the floor according to the dimension specifications.
- ▶ In the case of underfloor heating adhere the installation plate 1/2 into place, otherwise screw it into place (see page 14).
- ▶ Slide the appliances in.



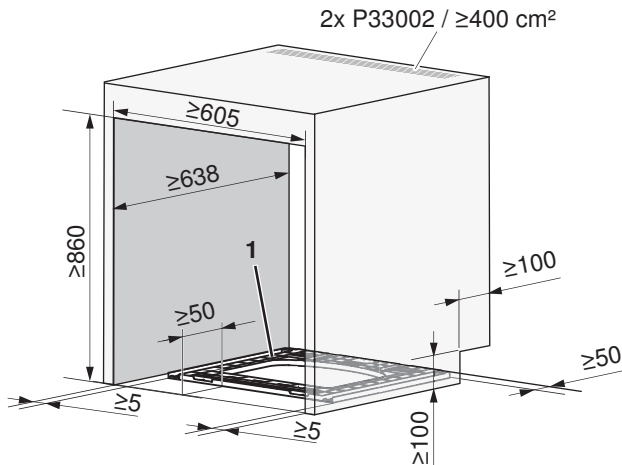
The condensed water hose and connection cable must not be crushed between the rear of the appliance and the wall or kinked during installation.

Installing in a niche

Open niche



If a tumble dryer is installed in a niche, a 130° door stop must be provided (article no. W54086).



Openings that must be provided in the side wall of the niche

- ▶ For connections and fresh air supply: Provide an opening of $\geq 100 \times 100$ mm in the left or right side wall of the niche.
- ▶ For heat dissipation: Provide a ventilation cross-section of ≥ 400 cm² or use two ventilation grilles P33002 in the niche ceiling to conduct away the heat that is emitted from the rear of the appliance.

Installing

- ▶ Centre and position the installation plate **1** in the niche according to the niche dimensions.
- ▶ In the case of underfloor heating adhere the installation plate **1** into place, otherwise screw it into place (see page 14).
- ▶ Slide the appliance in.



The condensed water hose and connection cable must not be crushed between the rear of the appliance and the wall or kinked during installation.

Closed niche (variant A)

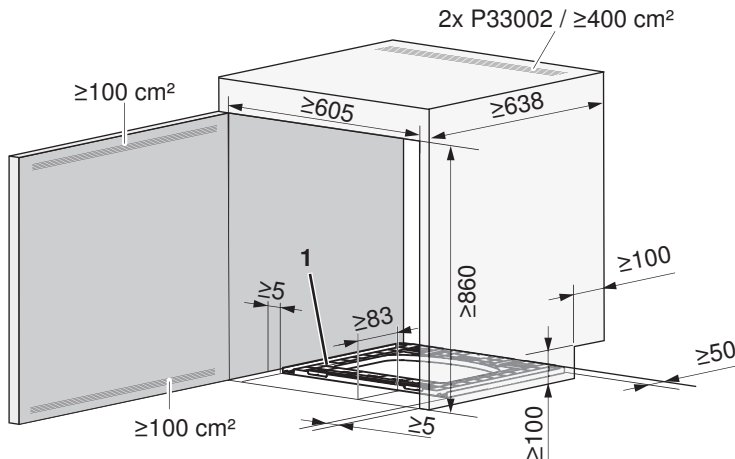
In the case of niche variant A, the niche door must be left open when the appliance is in operation.



If a tumble dryer is installed in a niche, a 130° door stop must be provided (article no. W54086).



If a tumble dryer is installed in a niche with a niche door, then both the niche door and the appliance door must be hinged on the same side.



Openings that must be provided in the side wall of the niche

- ▶ For connections and fresh air supply: Provide an opening of $\geq 100 \times 100$ mm in the left or right side wall of the niche.
- ▶ For heat dissipation: Provide a ventilation cross-section of ≥ 400 cm² or use two ventilation grilles P33002 in the niche ceiling to conduct away the heat that is emitted from the rear of the appliance.
- ▶ For fresh air supply with models 12017, 12019: Provide a ventilation opening of ≥ 100 cm² in both the upper and lower area of the niche door.

Installing

- ▶ Centre and position the installation plate **1** in the niche according to the niche dimensions.
- ▶ In the case of underfloor heating adhere the installation plate **1** into place, otherwise screw it into place (see page 14).
- ▶ Slide the appliance in.



The condensed water hose and connection cable must not be crushed between the rear of the appliance and the wall or kinked during installation.

Closed niche (variant B)

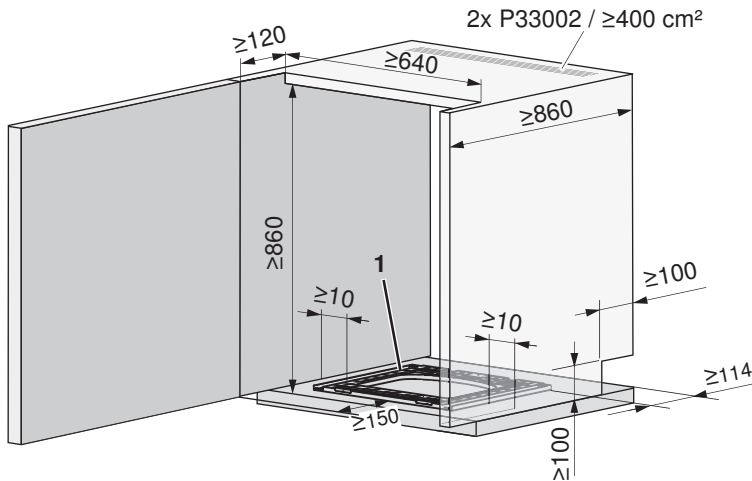
In the case of niche variant B, the niche door may be left closed at all times.



If a tumble dryer is installed in a niche, a 130° door stop must be provided (article no. W54086).



If a tumble dryer is installed in a niche with a niche door, then both the niche door and the appliance door must be hinged on the same side.



Openings that must be provided in the side wall of the niche

- ▶ For connections and fresh air supply: Provide an opening of $\geq 100 \times 100$ mm in the left or right side wall of the niche.
- ▶ For heat dissipation: Provide a ventilation cross-section of ≥ 400 cm² or use two ventilation grilles P33002 in the niche ceiling to conduct away the heat that is emitted from the rear of the appliance.
- ▶ For fresh air supply: Provide an opening of $\geq 120 \times 640$ mm (= 800 cm²) across the entire width of the niche between the niche door and the appliance.

Installing

- ▶ Centre and position the installation plate **1** in the niche according to the niche dimensions.
- ▶ In the case of underfloor heating adhere the installation plate **1** into place, otherwise screw it into place (see page 14).
- ▶ Slide the appliance in.



The condensed water hose and connection cable must not be crushed between the rear of the appliance and the wall or kinked during installation.

7 Washer-dryer towers



For safety reasons, tumble dryers standing upon washing machines are never to be mounted and operated without the associated installation plate (see page 14).

Disconnection points must be provided for the water supply and electrical connection, which must be capable of being actuated without moving the appliances.

7.1 Installation space

For washer-dryer towers, both the room conditions for washing machines and those for tumble dryers apply.

Washing machines

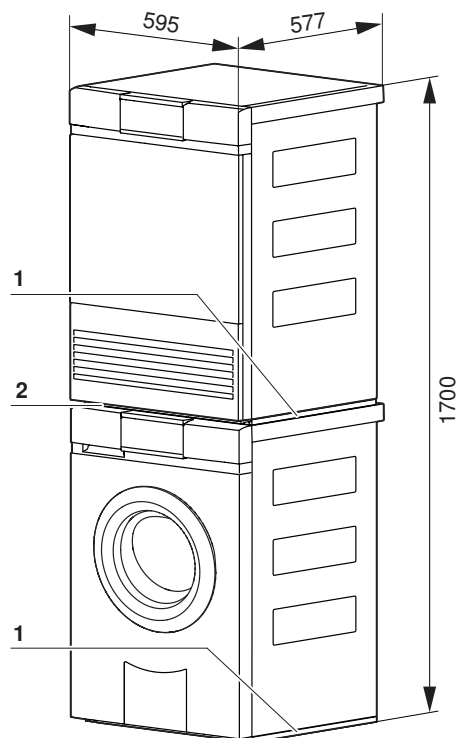
Follow the instructions in the section on the installation space (see page 16).

Tumble dryers

Follow the instructions in the section on the installation space (see page 20).

7.2 Positioning

Free-standing position



- 1 Installation plate
- 2 Tower panel (when delivered, attached to the cover plate at the back of the tumble dryer)

Installing in a niche



Do not install in closed niches or in cabinets with doors. If no programme selection is made, the appliance door opens automatically after 5 minutes and this can cause damage to the washing machine door and/or the niche door.

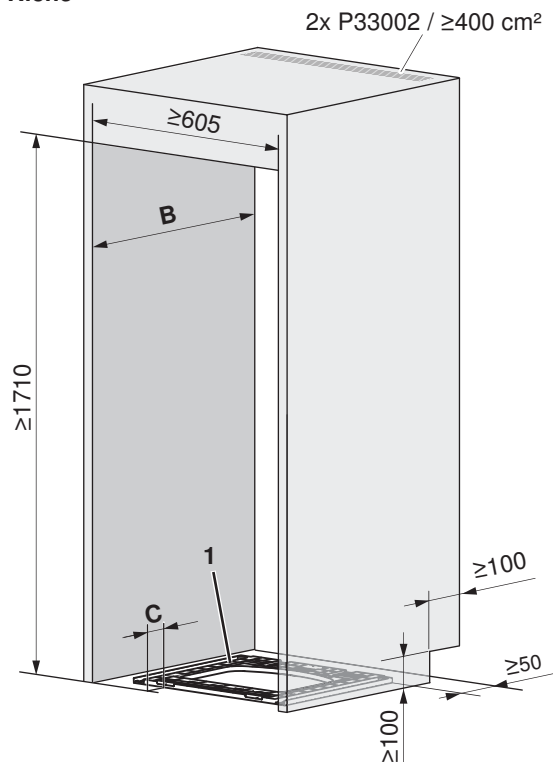
V-ZUG accepts no responsibility for any bacteria/germs and odours that form or any damage that may arise as a result.

Open niche



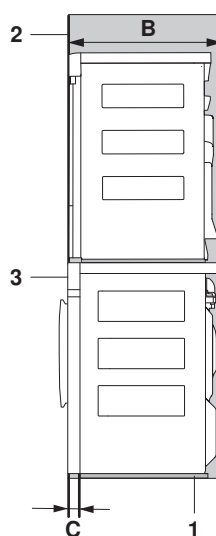
If a tumble dryer is installed in a niche, a 130° door stop must be provided (article no. W54086).

Niche



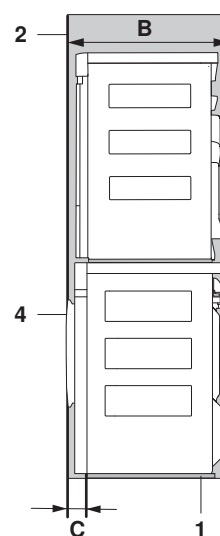
Niche front variants 2

Tumble dryer front 3



B ≥605
C ≥50

Washing machine door 4



B ≥638
C ≥83

Openings that must be provided in the side wall of the niche

- ▶ For connections and fresh air supply: Provide an opening of $\geq 100 \times 100$ mm in the left or right side wall of the niche.
- ▶ For heat dissipation: Provide a ventilation cross-section of ≥ 400 cm² or use two ventilation grilles P33002 in the niche ceiling to conduct away the heat that is emitted from the rear of the appliance.

Installing

- ▶ Centre and position the installation plate **1** in the niche according to the niche dimensions.
- ▶ In the case of underfloor heating adhere the installation plate **1** into place, otherwise screw it into place (see page 14).
- ▶ Slide the appliance in.



The condensed water hose and connection cable must not be crushed between the rear of the appliance and the wall or kinked during installation.

Closed niche (variant A)

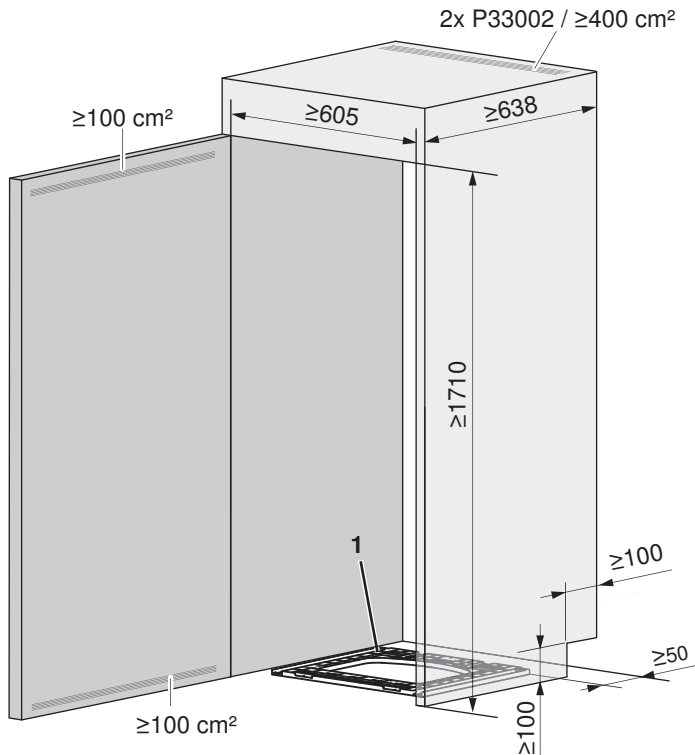
In the case of niche variant A, the niche door must be left open when the appliance is in operation.



If a tumble dryer is installed in a niche, a 130° door stop must be provided (article no. W54086).



If a tumble dryer is installed in a niche with a niche door, then both the niche door and the appliance door must be hinged on the same side.



Openings that must be provided in the side wall of the niche

- ▶ For connections and fresh air supply: Provide an opening of $\geq 100 \times 100$ mm in the left or right side wall of the niche.
- ▶ For heat dissipation: Provide a ventilation cross-section of ≥ 400 cm² or use two ventilation grilles P33002 in the niche ceiling to conduct away the heat that is emitted from the rear of the appliance.
- ▶ For fresh air supply with models 12017, 12019: Provide a ventilation opening of ≥ 100 cm² in both the upper and lower area of the niche door.

Installing

- ▶ Centre and position the installation plate **1** in the niche according to the niche dimensions.
- ▶ In the case of underfloor heating adhere the installation plate **1** into place, otherwise screw it into place (see page 14).
- ▶ Slide the appliance in.



The condensed water hose and connection cable must not be crushed between the rear of the appliance and the wall or kinked during installation.

Closed niche (variant B)

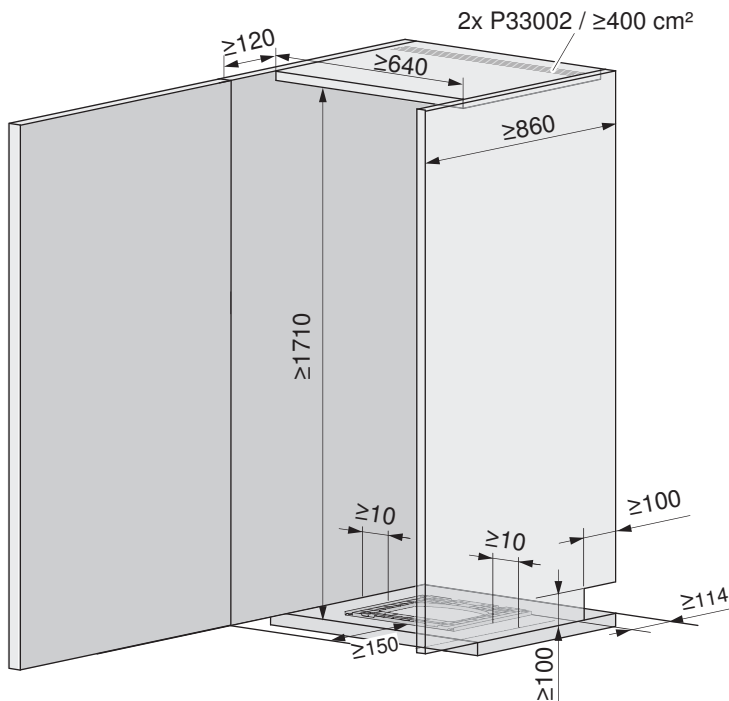
In the case of niche variant B, the niche door may be left closed at all times.



If a tumble dryer is installed in a niche, a 130° door stop must be provided (article no. W54086).



If a tumble dryer is installed in a niche with a niche door, then both the niche door and the appliance door must be hinged on the same side.



Openings that must be provided in the side wall of the niche

- ▶ For connections and fresh air supply: Provide an opening of $\geq 100 \times 100$ mm in the left or right side wall of the niche.
- ▶ For heat dissipation: Provide a ventilation cross-section of ≥ 400 cm² or use two ventilation grilles P33002 in the niche ceiling to conduct away the heat that is emitted from the rear of the appliance.
- ▶ For fresh air supply: Provide an opening of $\geq 120 \times 640$ mm (= 800 cm²) across the entire width of the niche between the niche door and the appliance.

Installing

- ▶ Centre and position the installation plate 1 in the niche according to the niche dimensions.
- ▶ In the case of underfloor heating adhere the installation plate 1 into place, otherwise screw it into place (see page 14).
- ▶ Slide the appliance in.



The condensed water hose and connection cable must not be crushed between the rear of the appliance and the wall or kinked during installation.

8 Convenient storage drawer



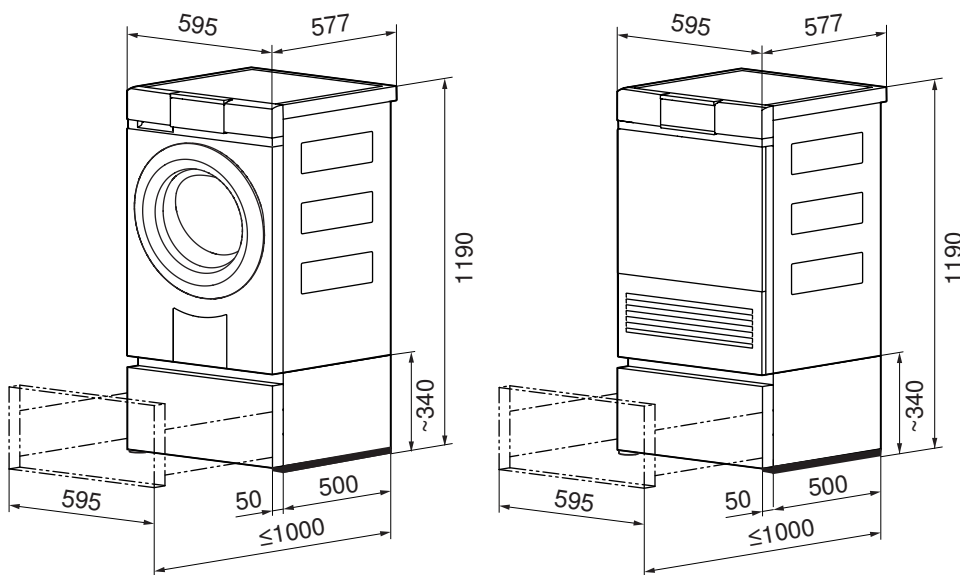
Do not stand a washer-dryer tower on a convenient storage drawer.

With appliances from the Excellence Line, a convenient storage drawer – by raising the height of the tumble dryer or washing machine – makes for comfortable use of the appliance. The drawer can also be used for storing washing detergent, accessories, etc.

8.1 Dimensions



The stated dimensions do not include distances from walls. To prevent disturbing noise and vibration the appliances must not come into contact with the surrounding walls of their installation location.



Only safe from tipping over when drawer fully loaded (max. load 25 kg) if installation plate is in place and secured with screws.

For adhered installation plates and installation on an uneven base, the maximum load guaranteed is only up to 8 kg.

9 Combined washer-dryer

9.1 Electrical connection data



General information on the electrical connections and an overview of the positions can be found in the Electrical connections (see page 7) section.

Appliance	Country group *	Mains connection	Rated load	Fuse	Mains connection cable
Adorina CS	B, C	220–240 V~ 50 Hz	2200 W	13 A	2.2 m, with plug (BS 1363)
	F	220–240 V~ 50 Hz	2200 W	10 A	2.2 m, with plug (CH2-16P)

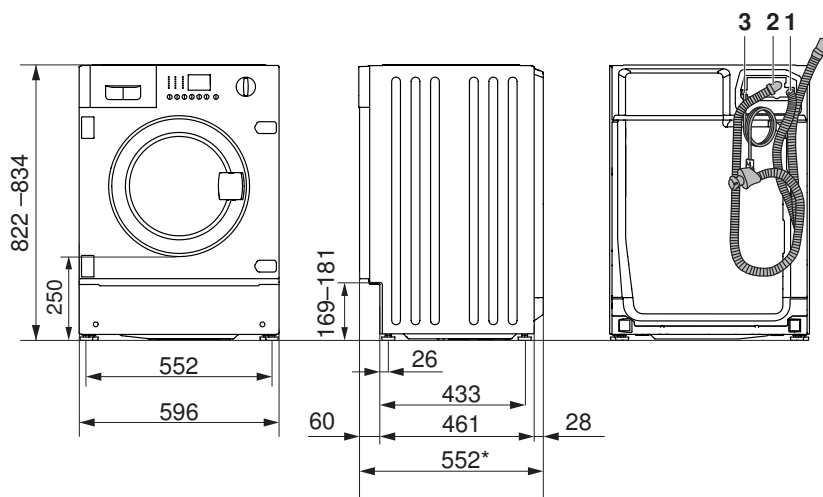
* Key (see page 2)

9.2 Dimensions



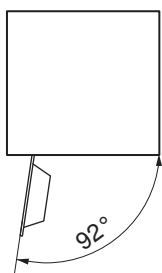
The stated dimensions do not include distances from walls. To prevent disturbing noise and vibration the appliances must not come into contact with the surrounding walls of their installation location.

Adorina CS



- 1 Drain hose connection with elbow, length 2.2 m
Pumping height of drain pump from floor: ≤ 900 mm
- 2 Cold water connection, inlet hose with Aquastop included in the scope of delivery
Length: 2.2 m
Connection: G $\frac{3}{4}$ "
- 3 Outlet mains connection cable, Length: 2.2 m, with plug

Left-hinged door



* For measurement with Aquastop, add another 14 mm

Decor panel

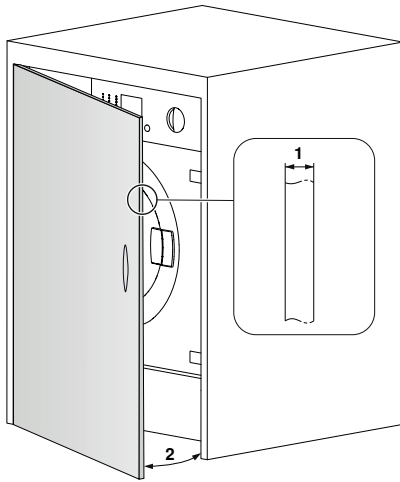
The decor panel may be fastened to the appliance or the cabinetry.



When using a decor panel fixed to the cabinetry, the openings in the front of the appliance for hinges, magnetic locks and push-push locks must be sealed with closing covers (article 1022309, not included in the scope of delivery).

Hinges, magnetic locks and push-push locks for mounting the decor panel are included in the scope of delivery (see page 39).

The decor panel can be hinged to the left or right (see document 1017089).



- 1 Thickness of decor panel 16–21 mm
- 2 Opening angle: $\leq 110^\circ$

9.3 Installation space

General condition

The Adorina appliances have 4 adjustable feet to correct for uneven or sloped floors. The height adjustment allows for a 6–15 mm gap from the bottom side of appliance to the floor.

9.4 Positioning

- ▶ The appliance must stand level and stable. Check with a spirit level.
- ▶ The appliance must not wobble in case of a crosswise load.
- ▶ The floor surface must be clean, dry, free of floor wax residue and other lubricating coatings so that the appliance does not slide away!
- ▶ Do not use pieces of wood, cardboard or the like to compensate for any small irregularities in the floor surface (a floor attachment plate set no. 81131132 may be used to secure the appliance).
- ▶ If, for reasons of space, it is not possible to avoid installing the appliance directly next to a gas or coal-fired appliance: install a thermal insulation panel between the cooker and the appliance (85 × 57 cm) which must have an aluminium film on the side against the cooker.

Installing in a niche

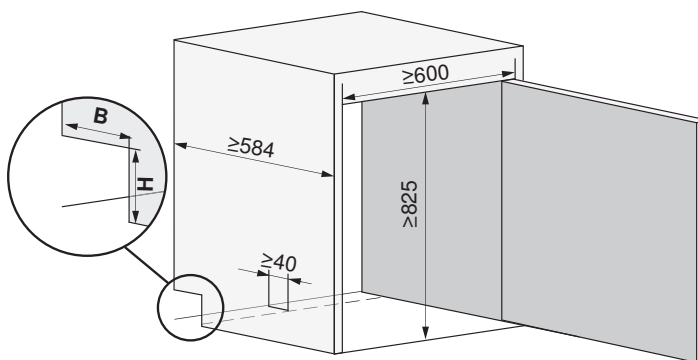
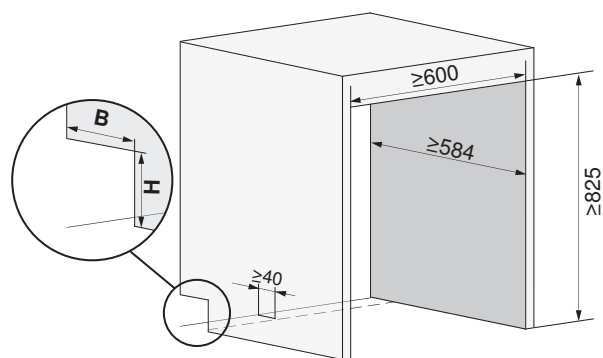
Do not install in closed niches or in cabinets with doors.
 If the appliance is not ventilated sufficiently, bacteria/germs and odour can form.

The Adorina appliances have 4 adjustable feet to correct for uneven or sloped floors. The height adjustment allows for a 6–15 mm gap from the bottom side of appliance to the floor.

Open niche

Closed niche

The niche door must be left open when the appliance is in operation.



	Opening variant 1	Opening variant 2
B	≥50	≥80
H	≥100	≥80

Openings that must be provided in the side wall of the niche

- ▶ For connections and fresh air supply: Provide one of the two opening variants in the left or right side wall of the niche.

Installing

- ▶ Set up niche according to the illustration.
- ▶ Slide in the appliance, observing the distance to the back wall.
 - Niche front and appliance decor panel / appliance panel are flush.

10 Textile care system

10.1 Electrical connection data



General information on the electrical connections and an overview of the positions can be found in the Electrical connections (see page 7) section.



The fixed adapter (article no. 1245010) must be used in conjunction with the type K socket to ensure the safety of the product (earthing). Is supplied with appliances for Denmark (see page 39).

Appliance	Country group *	Mains connection	Rated load	Fuse	Mains connection cable
RefreshButler V6000	A, B, C, E	230 V~ 50 Hz	1200 W	10 A	2.2 m, with plug
	D, F	220–240 V~ 50 Hz	1200 W	10 A	2.2 m, with plug

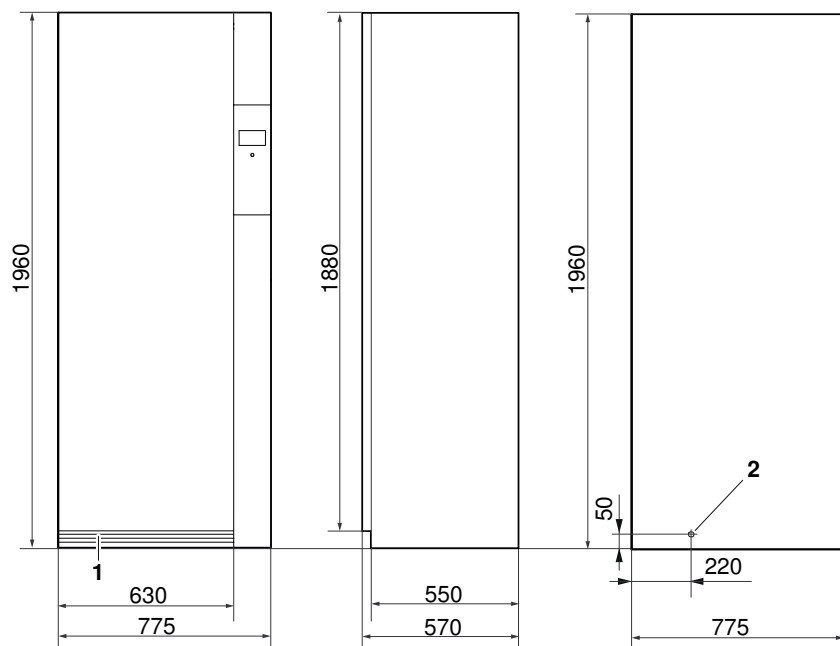
* Key (see page 2)

10.2 Dimensions



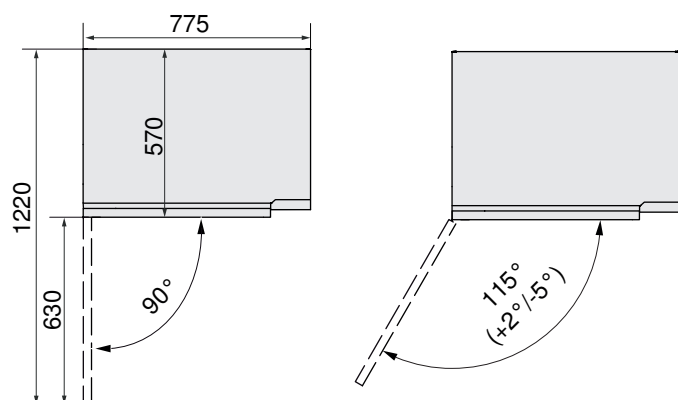
The stated dimensions do not include distances from walls. To prevent disturbing noise and vibration the appliances must not come into contact with the surrounding walls of their installation location.

RefreshButler V6000

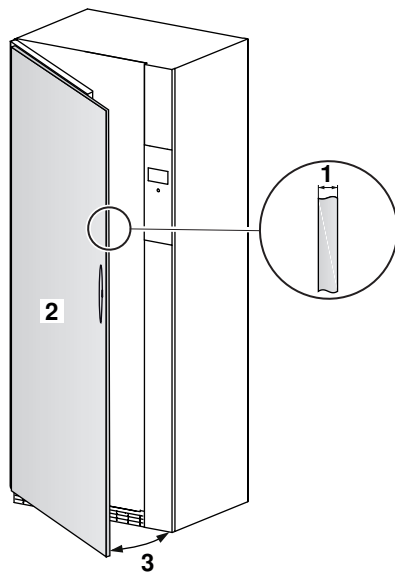


- 1 Cooling air inlet
- 2 Outlet mains connection cable
 - Length: 2.2 m, with plug

Left-hinged door



Decor panel



- 1 Thickness of decor panel: 10–19 mm, recommendation: 16 mm
- 2 Maximum permissible weight of decor panel according to hinge manufacturer: 35 kg
- 3 Opening angle: 115° (+2° / -5°)

10.3 Installation space

General condition



To prevent an impermissible rise in temperature and humidity, the room must be min. 20 m³ in size and sufficiently large inlet and outlet openings to an adjacent room or to the outside must be available (open windows, ventilation grilles or slots in the door, ventilation systems). On the other hand there is the possibility of using the waste heat. Normal bathroom extractor fans are not adequate for optimal room ventilation. They switch off with the light after a preset after-running time.

Heat pump dryers affect their environment like a heater blower with a heat output of approx. 700 W.

The appliance can be levelled by means of adjustable feet. The room must be kept free of dust and fluff.

Room temperature

Permissible room temperature: 5 °C to 30 °C



The room temperature should be kept as low as possible to ensure the economic running of the appliance. A room temperature of over 30 °C is critical and extends the duration of the individual programmes. High temperatures can also result in error messages and impair the service life of the appliance.

Ventilation

As a general rule, rooms containing a textile care appliance must be ventilated as these produce some humidity. For each heat pump dryer, the passage of exhaust and intake air must be guaranteed. EXHAUST AIR requires INTAKE AIR. At least the same amount of air must be supplied to as is being extracted from the room. If the room is kept closed, the installation room volume must be min. 20 m³.

10.4 Positioning



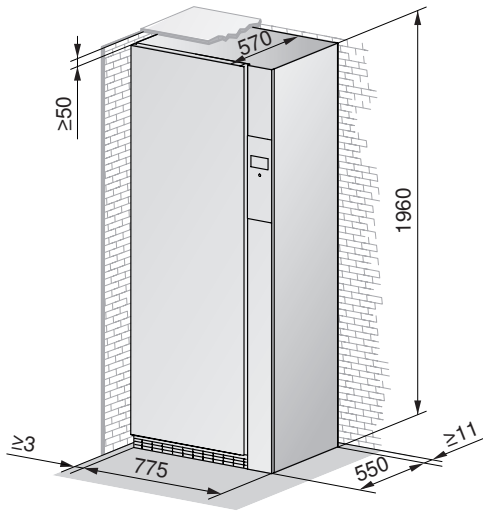
To prevent disturbing noise and vibration the appliance must not come into contact with the surrounding walls of its installation location. It is imperative to comply with the supplied installation instructions for positioning the appliance.

- ▶ The appliance must stand level and stable. Check with a spirit level.
- ▶ The appliance must not wobble in case of a crosswise load.

Free-standing position



When positioning a RefreshButler so that it is free-standing, a distance of min. 3 mm must be kept to the walls to the left and right.

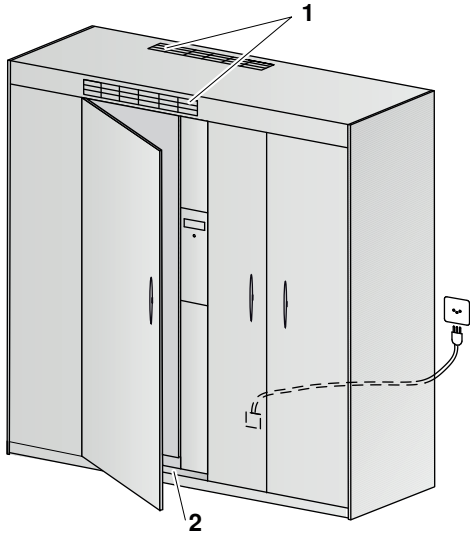


Positioning in a niche (without decor panel)

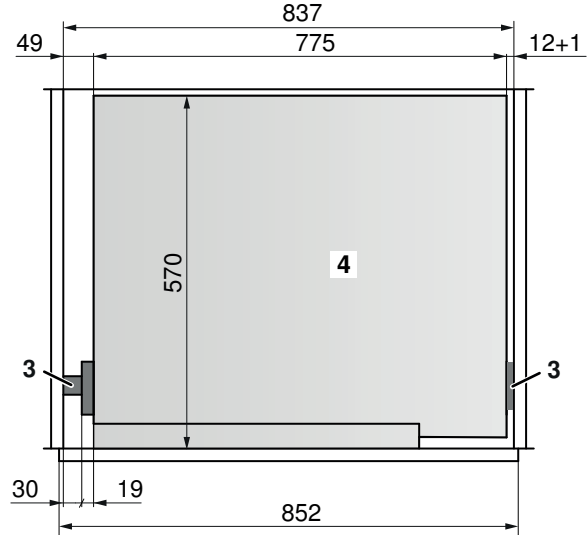
The cabinet door extends across entire width of opening. There is no connection to the RefreshButler door.

! If the niche is fitted with a door, hinge the niche door on the same side as the appliance door. Ensure that the niche door is left open during the process.

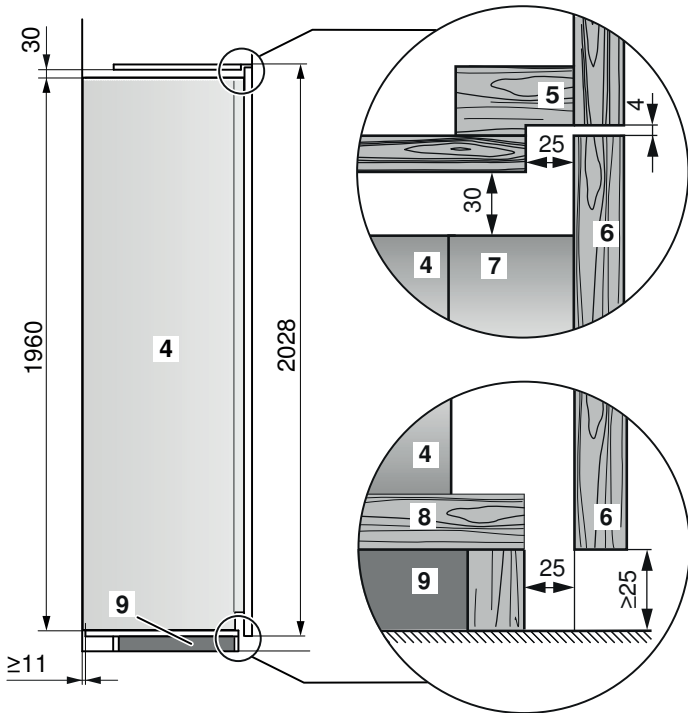
Niche



Floor plan



Elevation view



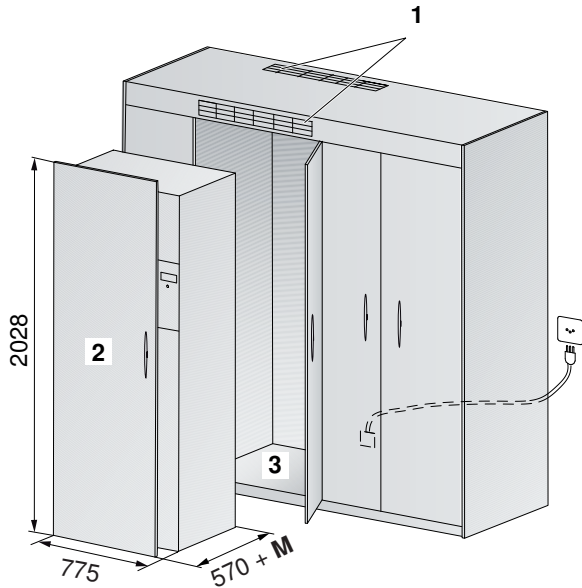
- ▶ Provide a ventilation slit **1** of $\geq 200 \text{ cm}^2$ on the top at the back or above the cabinet door.
- ▶ Observe load-bearing capacity of cabinet floor **2** (min. 170 kg).
- ▶ Set the cabinet ceiling **5** and cabinet base **8** back 25 mm for air circulation.
- ▶ Provide base reinforcement **9** for appliance.
- ▶ If required, mount filler strip **3** before installing the appliance.

- 1** Ventilation slit
- 2** Cabinet floor
- 3** Filler strip
- 4** RefreshButler
- 5** Cabinet ceiling
- 6** Cabinet door
- 7** RefreshButler door
- 8** Cabinet base
- 9** Base reinforcement

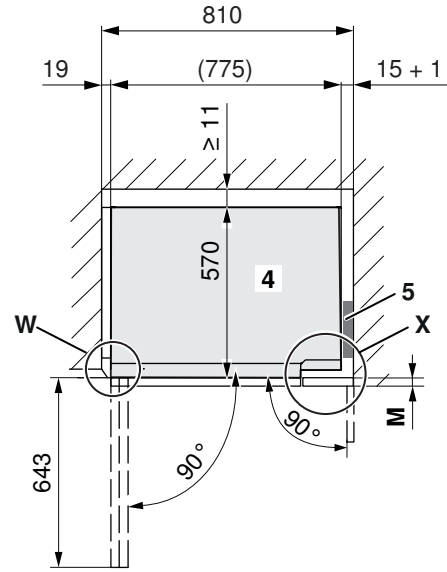
Positioning in a niche (with decor panel)

The decor panel 2 is fastened to the RefreshButler door 6.

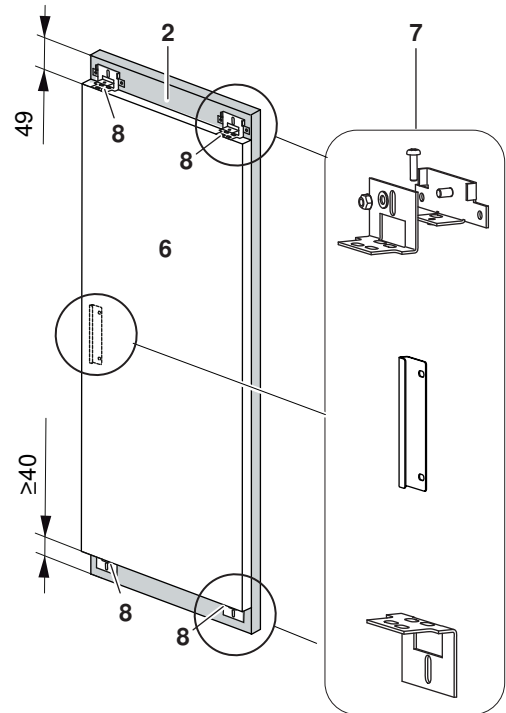
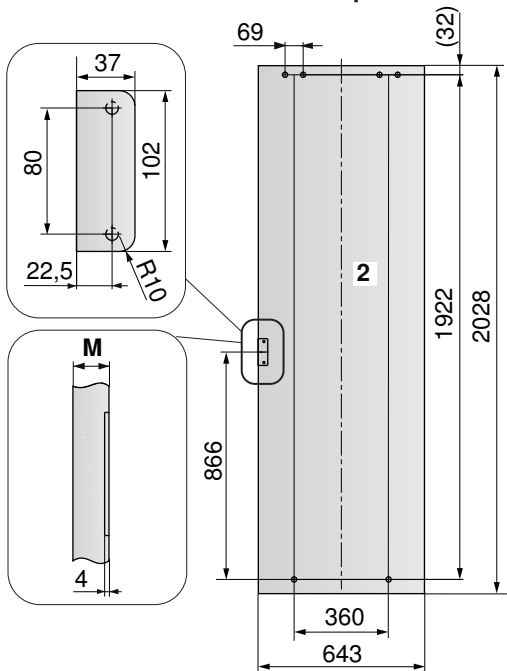
Niche



Floor plan



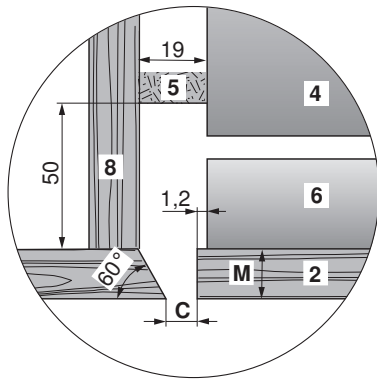
RefreshButler door and decor panel



- ▶ Provide a ventilation slit 1 of $\geq 200 \text{ cm}^2$ on the top at the back or above the cabinet door.
- ▶ Load-bearing capacity of cabinet floor 3: min. 170 kg + weight of decor panel 2 (max. 35 kg)
- ▶ Determine the thickness **M** of the decor panel 2 (recommendation: 16 mm).
- ▶ Fasten the decor panel 2 to the RefreshButler door 6 with the angle brackets 5. Two threaded holes (M4) are pre-drilled in the RefreshButler door per angle bracket.
- ▶ If required, mount filler strip 5 before installing the appliance.

- 1 Ventilation slit
- 2 Decor panel (max. 35 kg)
- 3 Cabinet floor
- 4 RefreshButler
- 5 Filler strip
- 6 RefreshButler door
- 7 5 angle brackets, included in the scope of delivery (see installation set W56295)
- 8 Pre-drilled with metric screw holes for mounting the lower/upper angle brackets 7

Detail W: RefreshButler door



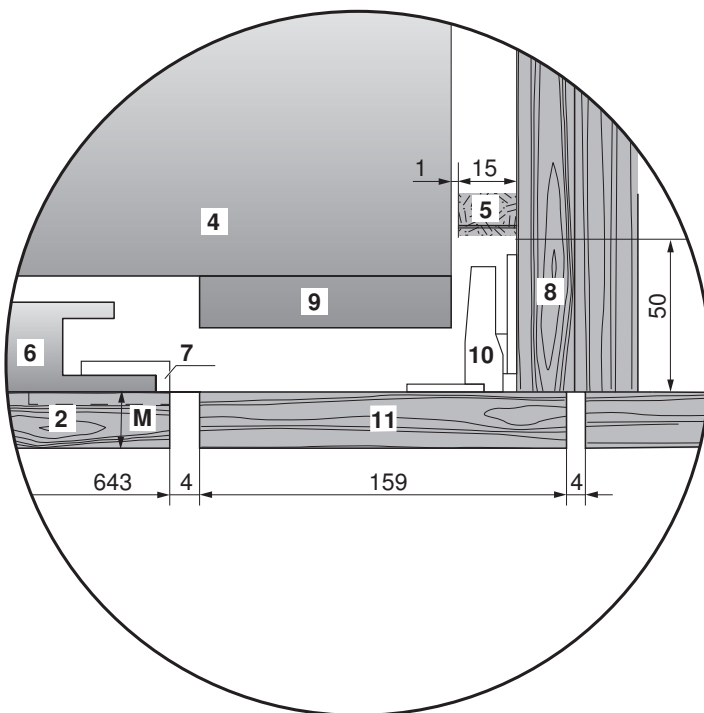
- 2 Decor panel
- 4 RefreshButler
- 5 Filler strip
- 6 RefreshButler door
- 8 Cabinet inside panel

Variants	Thickness M of decor panel 2	Min. gap dimension C
Permissible	<10 mm	4 mm
Permissible	10-19 mm	$((M-10)/1.5) + 3$
Recommended	16 mm	7 mm
Not recommended	>19 mm	$(3*(M-20)/2) + 11$



Decor panel thicknesses over 19 mm are not recommended, as gap dimension C also increases with increasing decor panel thickness M. An installation test must be performed in any case.

Detail X: Door of RefreshButler display



- 2 Decor panel
- 4 RefreshButler
- 5 Filler strip
- 6 RefreshButler door
- 7 Middle angle bracket
- 8 Cabinet inside panel
- 9 RefreshButler display
- 10 Hinge
- 11 Door of RefreshButler display



11 Accessories

11.1 General accessories

Designation	Remark	Article no.	Suitable for use with following models
Fixed adapter	For use in conjunction with a type E plug in a type K socket, with protective contact. 250 V 16 A	1245010	AdoraWash V2000–V6000 AdoraDry V2000, V6000 RefreshButler V6000

11.2 Washing machines

Designation	Remarks	Article no.	Suitable for use with following models
Convenient storage drawer		W31357	AdoraWash V4000, V6000
4 m drain hose set	can be shortened: max. permissible drain height ≤ water outlet out of appliance ~80 cm	W33543	AdoraWash V2000–V6000
Hose support	1 hose support is included in the 4 m drain hose set	80868039	AdoraWash V2000–V6000

11.3 Tumble dryers

Designation	Remarks	Article no.	Suitable for use with following models
Convenient storage drawer		W31357	AdoraDry V2000, V6000
Ventilation grille		P33002	AdoraDry V2000, V6000
Fixing discs	1 set of 2 discs	81131132	AdoraDry V2000, V6000
Combi drainage set		W55969	AdoraDry V2000, V6000
Condensate drain kit	1 kit is supplied with the appliance.	W56298	AdoraDry V2000, V6000
Non-return valve set		W50028	AdoraDry V2000, V6000
Drying basket set		W55884	AdoraDry V2000, V6000
Tower panel	1 tower panel is supplied with the appliance.	W55687	AdoraDry V2000, V6000
130° door hinge	for niche installation	W54086	AdoraDry V2000, V6000
Set containing connection for sink drain trap		W53070	AdoraDry V2000, V6000

11.4 Textile care system

Designation	Remarks	Article no.	Suitable for use with following model
1 clothes hanger	5 clothes hangers are supplied with the appliance.	W54789	RefreshButler V6000
1 basket	1 basket is supplied with the appliance. Appliance can accommodate max. 2 baskets.	W56746	RefreshButler V6000
1 durgol swiss steamer descaler	1 bottle of descaler is supplied with the appliance.	B28006	RefreshButler V6000



11.5 Combined washer-dryer

Designation	Remarks	Article no.	Suitable for use with following model
Accessories set for decor panel, cpl., left/right	1 set is supplied with the appliance.	1022304	Adorina CS
4 m drain hose set		1034496	Adorina CS
Closing covers, decor panel		1022309	Adorina CS

12 V-ZUG-Home

12.1 Internet access



Internet access is required for use of V-ZUG-Home.

12.2 Scope of delivery

For appliances with V-ZUG-Home, the V-ZUG-Home module is integrated in the appliance and ready for operation. Models with a V-ZUG-Home module are connected to the home network via WLAN/Wi-Fi.



V-ZUG-Home is not available in all countries.

Type of appliance	Model designation	Model number
Washing machines	AdoraWash V2000–V6000	11021, 11023, 11025, 11041, 11042, 11043
Tumble dryers	AdoraDry V2000, V6000	12011, 12013, 12017, 12019

12.3 Connecting to the home network

WLAN/Wi-Fi connection



Establishing a connection between an appliance and a wireless network is described in the operating instructions for «V-ZUG-Home». These can be found at home.vzug.com.



Index

A

Advanced Line 5

C

Combi drainage set 11, 12, 39

Concealed drain trap 12

Condensate drain kit..... 10, 39

Country groups 2

D

Decor panel for Adorina CS..... 31

Decor panel for RefreshButler 34, 37

Dimensions of AdoraDry..... 19

Dimensions of AdoraWash 15

Dimensions of Adorina CS 30

Dimensions of convenient storage drawer 29

Dimensions of RefreshButler..... 33

Door hinge for AdoraDry..... 19

Door hinge for AdoraWash 15

Door hinge for RefreshButler..... 33

Drain trap with an open-top fixed upright outflow pipe 10

E

Electrical connections..... 7

Fault current 7

Residual current device (RCD)..... 7

Excellence Line 5

Explanation of terms..... 3

F

Fault current 7

Frequency stability..... 7

H

Hose support 11, 39

I

Installation plate..... 5, 16, 21

M

Mains pressure 8

N

Niche positioning for Adorina CS..... 32

Notes 43

P

Plumbing in..... 8

Protection type IP 7

R

Residual current device (RCD)..... 7

S

Sink drain trap 10, 39

Supplementary documents..... 2

Symbols used 2

U

Useful links 2

V

Validity 5

Ventilation..... 20

Ventilation concepts 20

W

Water hardness 8

Water inlet 8



13 Notes

CONTACT IN SWITZERLAND

V-ZUG Ltd
Industriestrasse 66
6302 Zug/Switzerland
www.vzug.com

Service & Support International
service-support@vzug.com

