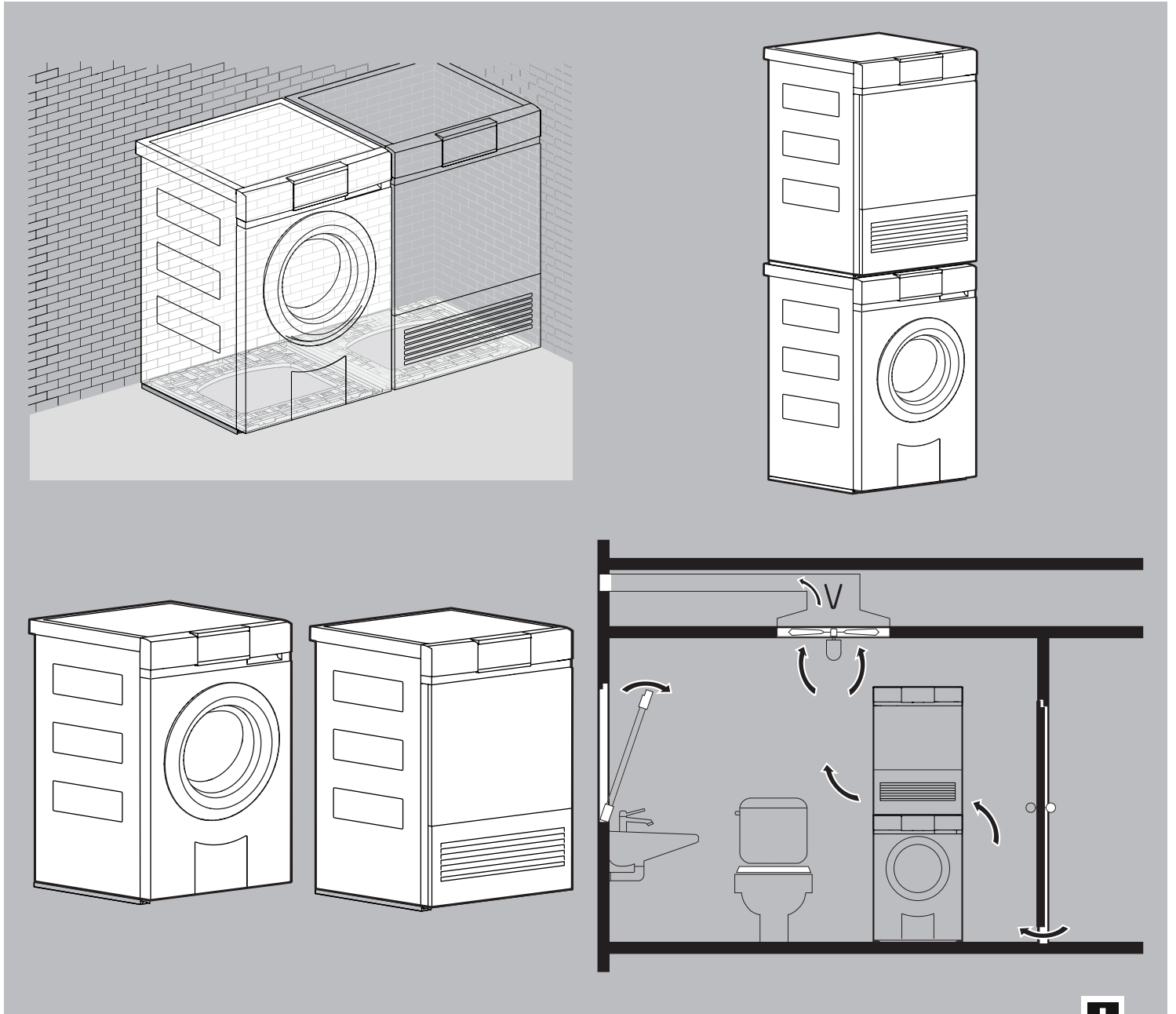




Swiss perfection for your home



Planning aid

International collection
Laundry room appliances
2019



Note on content

Please note

This planning aid applies to the specified model numbers only. Older planning aids for earlier generation models may be requested in electronic form from our Customer Services.

This planning aid is not to be used as installation instructions! The regulations and instructions binding for the appliance installation are to be obtained from the installation instructions packed with the appliances. The installation instructions can also be downloaded from the internet from www.vzug.com/b2b.

Modifications

Text, diagrams and data correspond to the technical standard of the appliances at the time this planning aid went to press. The right to make technical modifications for the purpose of the further development of the appliances is reserved. The German, English, French and Italian versions are binding. V-ZUG accepts no liability for translations in other languages.

Symbols used



Denotes important safety precautions.

Failure to observe said precautions can result in injury or in damage to the appliance or fittings!

► Indicates an instruction.

• Indicates a list.



Information and precautions that should be observed.

Supplementary documents

In this planning aid, occasional reference is made to supplementary documents. These documents can be requested from the Head Office in Zug by sending an e-mail to service-support@vzug.com.

Useful links

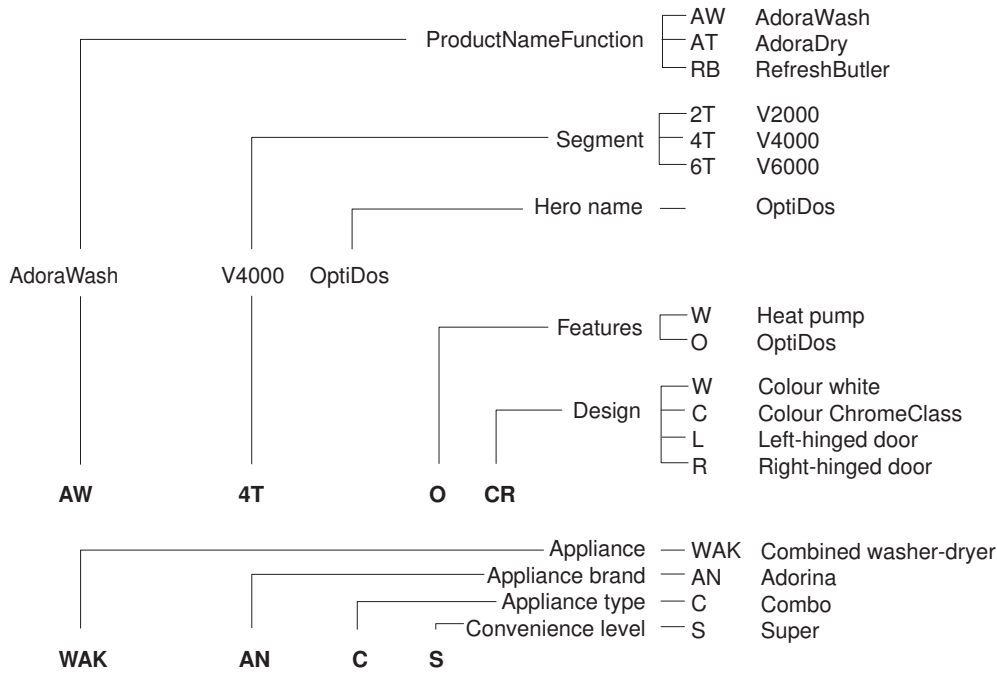
- www.vzug.com
- www.vzug.com/b2b
- www.lifestyle.vzug.com

Key to country groups

Country group	Country code (in accordance with ISO 3166)	Country group	Country code (in accordance with ISO 3166)
A	EU European Union TR Turkey IL Israel LB Lebanon	D	AU Australia NZ New Zealand
B	GB Great Britain	E	RU Russia UA Ukraine
C	HK Hong Kong SG Singapore	F	CN China



Explanation of terms





Contents

1 Appliance overview	5
1.1 Validity.....	5
1.2 Washer-dryer towers.....	5
2 Electrical connections	6
2.1 General operating conditions	6
2.2 Using residual current devices in house wiring system / fault current.....	6
3 Plumbing in	7
3.1 Washing machines.....	7
3.2 Tumble dryers	8
3.3 Washer-dryer combination	9
3.4 Combined washer-dryer.....	12
4 Washing machines	13
4.1 Electrical connection data	13
4.2 Dimensions	13
4.3 Installation	14
4.4 Positioning.....	14
5 Tumble dryers	16
5.1 Electrical connection data	16
5.2 Dimensions	16
5.3 Installation	17
5.4 Positioning.....	18
6 Washer-dryer towers	20
6.1 Installation	20
6.2 Positioning.....	20
7 Combined washer-dryer	22
7.1 Electrical connection data	22
7.2 Dimensions	22
7.3 Installation	23
7.4 Positioning.....	24
8 Textile care system	25
8.1 Electrical connection data	25
8.2 Dimensions	25
8.3 Installation	26
8.4 Positioning.....	26
9 Accessories	31
9.1 Washing machines.....	31
9.2 Tumble dryers	31
9.3 Textile care system	31
9.4 Combined washer-dryer.....	31

1 Appliance overview

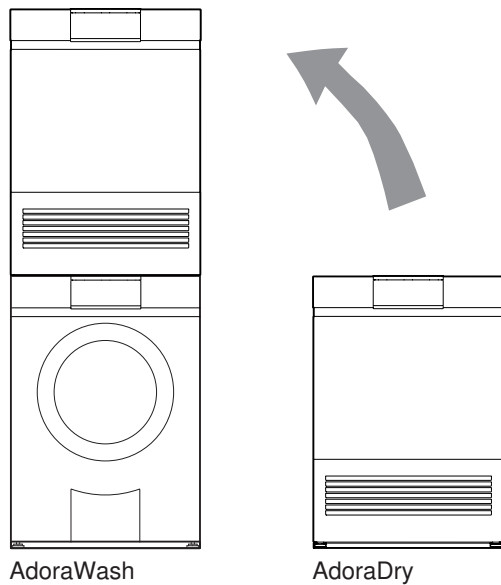
1.1 Validity

The model number corresponds to the first alphanumeric of the serial number SN (or FN) on the identification plate.

Product	Model number	Product	Model number
Washing machines		Tumble dryers	
AdoraWash V2000	11021	AdoraDry V2000	12011
AdoraWash V4000	11023	AdoraDry V6000	12013
AdoraWash V6000	11025		
		Textile care system	
Combined washer-dryer		RefreshButler V6000	14003
Adorina CS	11018		

1.2 Washer-dryer towers

Washing machines and tumble dryers with the same level of convenience can be combined to form a washer-dryer tower.





2 Electrical connections



Electrical connections must be carried out by qualified experts in accordance with the guidelines and standards for low-voltage installations and the specifications of the local electricity supply companies.

A plug-in appliance may only be connected to a socket outlet with earthing contact, installed according to specifications. An all-pole mains isolating device with 3 mm contact opening should be provided in the house wiring system. Switches, plug and socket devices, circuit breakers and fusible cut-outs which are accessible after installation and which have all-poles switching are permissible as isolating devices. Effective earthing and separately installed neutral and earth conductors ensure safe and fault-free operation. After installation, live parts and cables with basic insulation must not be accessible. Check old installations.



Electrical connections must be made by qualified personnel.

2.1 General operating conditions



Detailed information on the electrical connection data can be found at the beginning of each section.

Value	Country group *	Nominal value	Minimum	Maximum
Voltage	A, B, C (SG), D, E	230 V	207 V	253 V
	C (HK), F	220 V–240 V	198 V	
Voltage	A, B, C (SG), D, E	400 V	360 V	440 V
	C (HK), F	380 V–413 V	342 V	
Frequency	A, B, C, D, E, F	50 Hz sinusoidal	49 Hz sinusoidal	51 Hz sinusoidal

* Key (see page 2)

- Short duration frequency variation in the mains: ± 1 Hz
- Long duration frequency stability in the mains (for synchronous clocks): ± 10 ppm
- Protection type IP: IP-X4
- If used at an altitude of over 2,000 metres, a reduced performance must be expected.

2.2 Using residual current devices in house wiring system / fault current

Washing machines have an inherently high fault current. The values can be affected by various factors and vary widely. In accordance with the norm, fault currents of up to approximately 10 mA per appliance are permissible. The values are measured in the warm operating state.

If residual current devices (RCDs) are used in the house wiring system, we recommend that the above-mentioned appliances have their own RCD protection, separate from the power supply for the rest of the system. The tripping current of the RCD should be selected to be 30 mA or higher.

3 Plumbing in

3.1 Washing machines

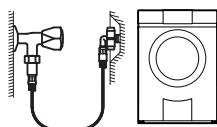
Comply with the regulations laid down by the local water supply authority for the layout of the supply pipe and drainage.

General operating conditions

Value		Nominal value	Minimum	Maximum
Mains pressure (0.1 MPa = 1 bar)	Static	0.3 MPa	0.1 MPa	1.0 MPa
	Flowing	–	0.08 MPa	1.0 MPa
Water hardness ¹		–	0.5 °fH	50 °fH
Water inlet temperature	Cold water	–	5 °C	35 °C
Water inlet		G $\frac{3}{4}$ "	–	–
Drainage cross-section		ø internal 57 mm (on-site)	ø internal min. 19 mm	–

¹ For special cases with water hardness in excess of 50 °fH, an external water softener is recommended.

Water inlet



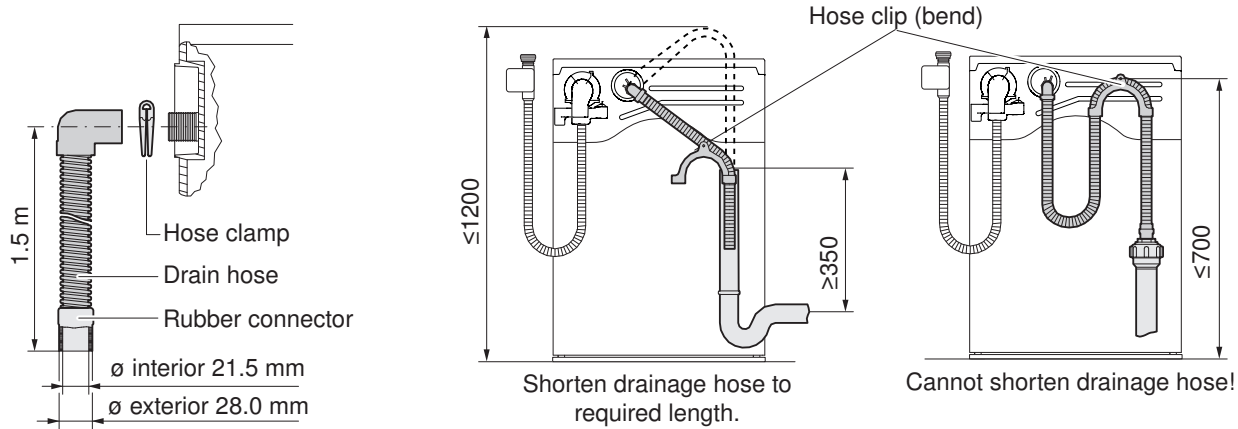
Appliance	Hose	Length	Connection	Optimal working pressure	Possible pressure range
AdoraWash V2000–V6000	Inlet hose with Aquastop	1.25 m	G $\frac{3}{4}$ "	0.3 MPa (3 bar)	0.1–1.0 MPa (1–10 bar)



Connection to a mixer tap or a continuous flow heater is not permitted!

Water outlet

V-ZUG does not supply or install drain-traps. Follow the drain-trap manufacturer's instructions.



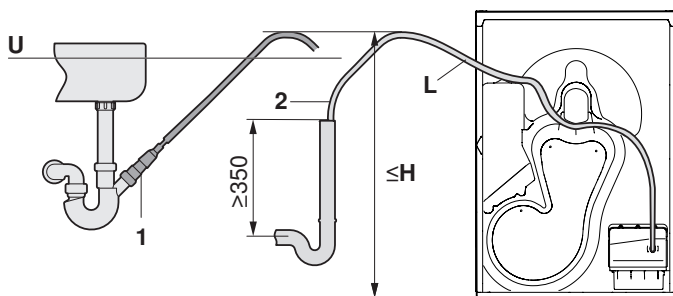
Appliance	Hose	Length	Connection	Pumping height of drain pump from floor
AdoraWash V2000–V6000	Corrugated plastic hose	1.5 m	ø internal 21.5 mm	≥1200 mm

3.2 Tumble dryers

V-ZUG does not supply or install drain-traps. Follow the drain-trap manufacturer's instructions.

Direct drainage

AdoraDry



- 1 Connection to sink drain trap, set W53070
- 2 Condensate drain kit W56298 (series standard)

- ▶ Use a drain trap with an open-top fixed upright outflow pipe.
- ▶ For a connection to sink drain trap, position the drain hose above the overflow line **U**.

AdoraDry V2000, V6000	
L: Hose length from pump to H	≤1.5 m
H: Pumping height of drain pump from floor	≤1200 mm

3.3 Washer-dryer combination

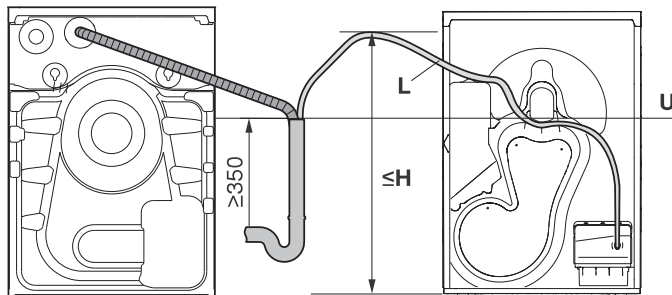


V-ZUG does not supply or install drain-traps. Follow the drain-trap manufacturer's instructions.

Connection to drain trap with open-top fixed upright outflow pipe

Appliances installed side by side with separately routed drainage pipe

AdoraWash & AdoraDry

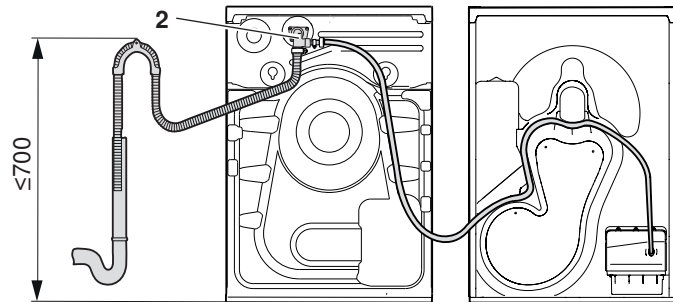


► Position the drain hose from the tumble dryer above the overflow line **U**.

	AdoraDry V2000, V6000
L: Hose length from pump to H	≤1.5 m
H: Pumping height of drain pump from floor	≤1200 mm

Appliances installed side by side with combi drainage set

AdoraWash & AdoraDry

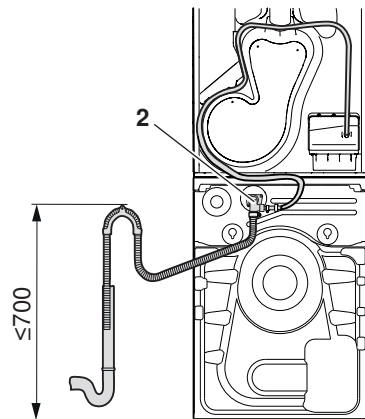


2 Combi drainage set W55969

- ▶ Fix hose end with hose support.
- ▶ Secure drain hose on tumble dryer so that it cannot kink.

Washer-dryer tower with combi drainage set

AdoraWash & AdoraDry



2 Combi drainage set W55969

- ▶ Fix hose end with hose support.



Connection to concealed drain-trap

V-ZUG does not supply or install concealed drain-traps. Unused connections to the concealed drain-trap must be sealed off. Where possible, the washing machine and tumble dryer should be connected to a separate concealed drain-trap. Secure drain hoses with a clamp (not included in the scope of delivery).



Water must be prevented from flowing from the washing machine into the tumble dryer!



1 A washing machine and tumble dryer may only be connected to the same concealed drain-trap if the two appliances remain hydraulically separate from one another.

2

Washer-dryer tower or washing machine and tumble dryer installed side by side with combi drainage set

The AdoraDry V2000, V6000 tumble dryers can be retrofitted with the accessory combi drainage set (article no. W55969). It permits the water outlet of a washing machine and a tumble dryer into one water outlet (concealed drain-trap). The water from the tumble dryer is pumped by the pump into the water outlet of the washing machine.

3

Washing machine and tumble drying installed side by side

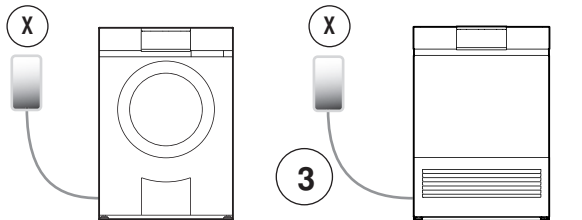
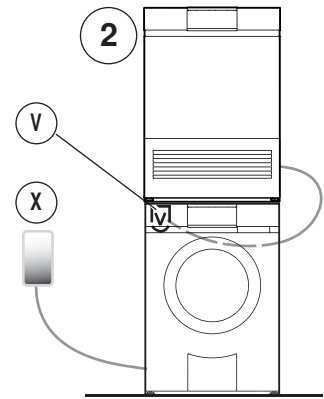
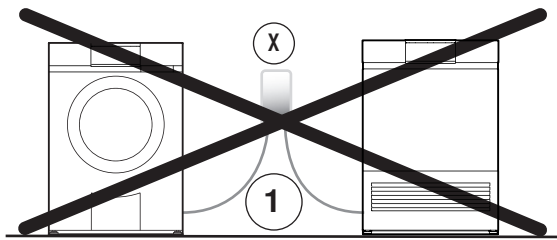
If a tumble dryer is installed side by side with the appropriate washing machine, each appliance must be connected to a separate concealed drain-trap.



The combi drainage set **V** may be used if there is only one concealed drain-trap **X**.

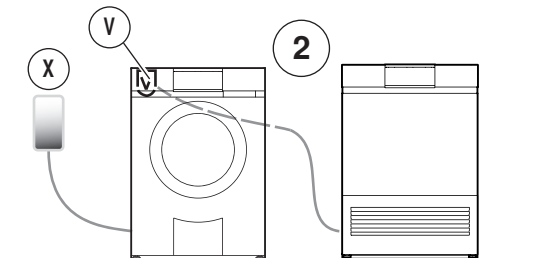
V Combi drainage set
 W55969

X Concealed drain-trap



Washing machine

Tumble dryer



3.4 Combined washer-dryer

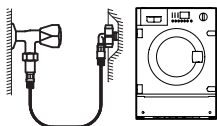
Comply with the regulations laid down by the local water supply authority for the layout of the supply pipe and drainage.

General operating conditions

Value		Nominal value	Minimum	Maximum
Mains pressure (0.1 MPa = 1 bar)	Static	0.3 MPa	0.05 MPa	0.9 MPa
	Flowing	–	–	0.9 MPa
Water hardness ¹		–	0.5 °fH	50 °fH
Water inlet temperature	Cold water	–	5 °C	35 °C
Water inlet		G ³ / ₄ "	–	–
Drainage cross-section		ø internal 57 mm (on-site)	ø internal min. 19 mm	–

¹ For special cases with water hardness in excess of 50 °fH, an external water softener is recommended.

Water inlet



Appliance	Hose	Length	Connection	Optimal working pressure	Possible pressure range
Adorina CS	Inlet hose with Aquastop	2.2 m	G ³ / ₄ "	0.3 MPa (3 bar)	0.05–0.9 MPa (0.5–9 bar)

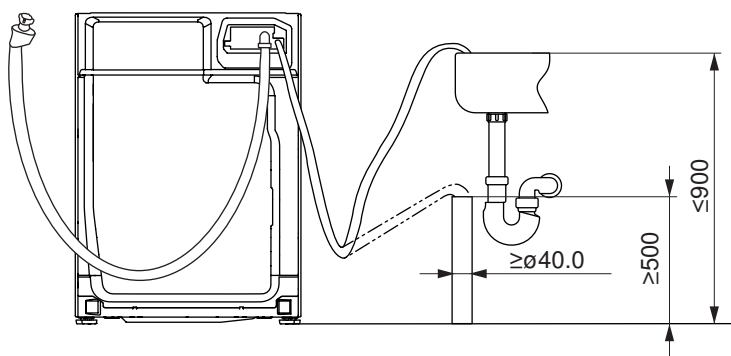
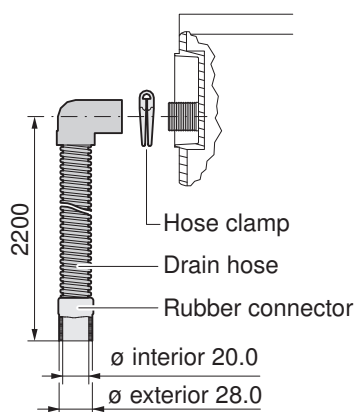


Connection to a mixer tap or a continuous flow heater is not permitted!

Water outlet



V-ZUG does not supply or install drain-traps. Follow the drain-trap manufacturer's instructions.



Appliance	Hose	Length	Connection	Pumping height of drain pump from floor
Adorina CS	Corrugated plastic hose	2.2 m	ø internal 20 mm	≥900 mm

4 Washing machines

4.1 Electrical connection data

Appliance	Country group *	Mains connection	Rated load	Fuse	Mains cable
AdoraWash V6000	A	230 V~ 50 Hz	3500 W	16 A	with plug 1.8 m
	C (SG), E	230 V~ 50 Hz	2100 W	10 A	
	C (HK), D, F	220–240 V~ 50 Hz	2100 W	10 A	
AdoraWash V4000	A	230 V~ 50 Hz	3500 W	16 A	with plug 1.8 m
	E	230 V~ 50 Hz	2300 W	10 A	
AdoraWash V2000	A, C (SG), E	230 V~ 50 Hz	2300 W	10 A	with plug 1.8 m
	C (HK), D	220–240 V~ 50 Hz	2300 W	10 A	

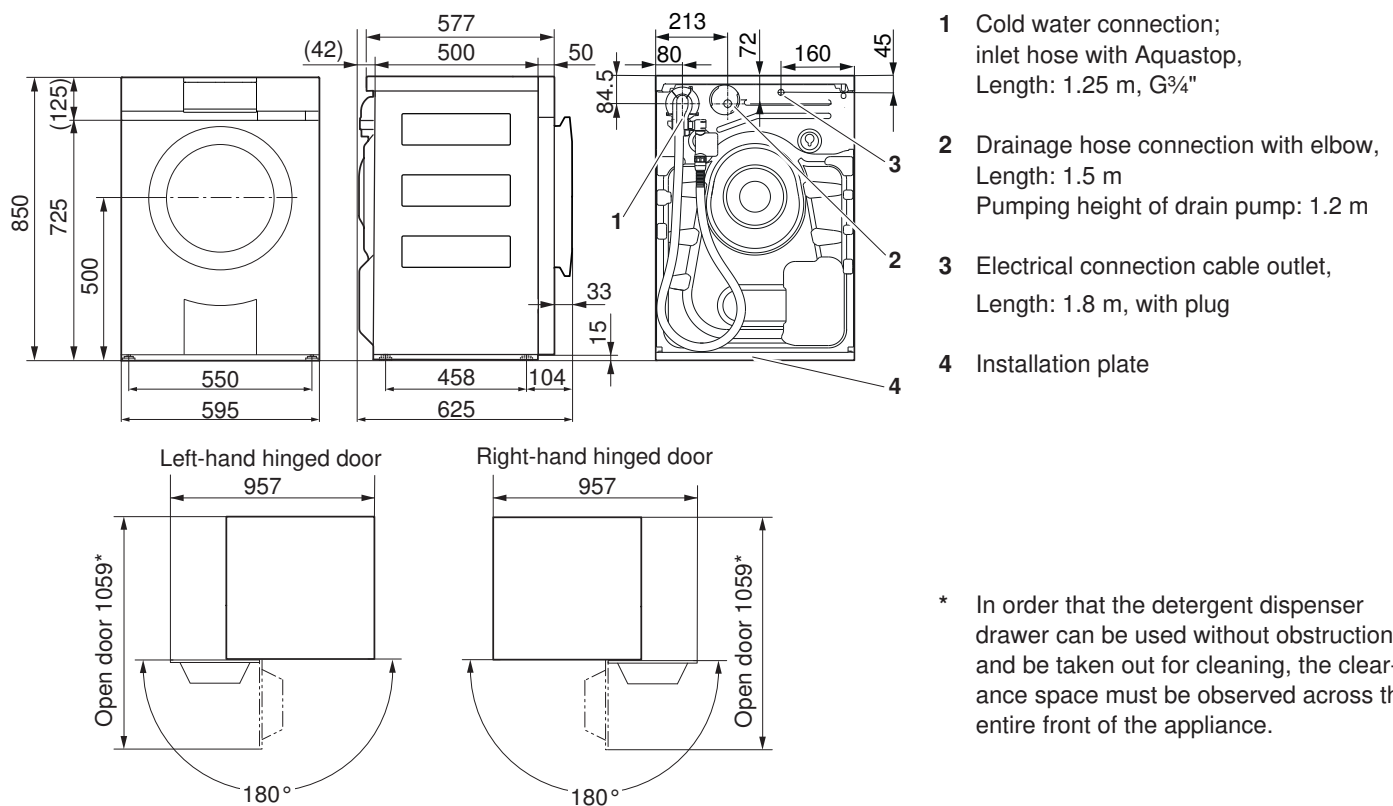
* Key (see page 2)

4.2 Dimensions






The stated dimensions do not include distances from walls. To prevent disturbing noise and vibration the appliances must not come into contact with the surrounding walls of their installation location.

AdoraWash V2000, V4000, V6000



4.3 Installation


General condition

-  All Adora appliances are delivered with mounted transport lock. It must be removed when the appliance is installed. Damage to the appliance and surrounding equipment or furniture cannot otherwise be ruled out! Any costs incurred will not be borne by the appliance manufacturer.
-  All Adora appliances must be mounted on the installation plate supplied. Only in this case is problem-free operation guaranteed. The appliances can be levelled by means of adjustable feet.
-  The appliance actively balances unbalanced loads during spinning. To ensure problem-free operation, no soft, sound insulating underlay may be used.

Room temperature



Permissible room temperature: 5 °C to 35 °C

4.4 Positioning

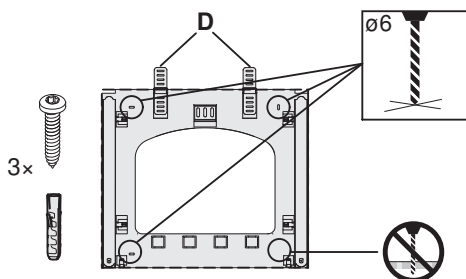
-  To prevent disturbing noise and vibration the appliance must not come into contact with the surrounding walls of its installation location. It is imperative to comply with the supplied installation instructions for positioning the appliance.
- ▶ The appliance must stand level and stable. Check with a spirit level.
- ▶ The appliance must not wobble in case of a crosswise load.

Installation plate (W40653)

General condition

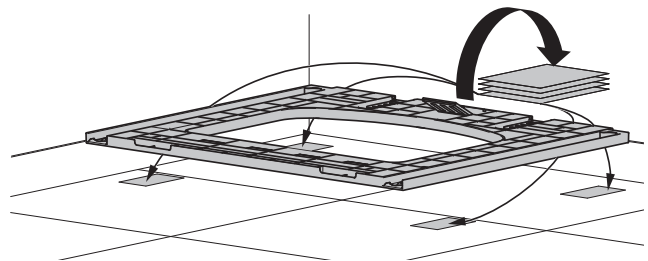
-  The installation plate is used as an installation aid and its use is obligatory. It can be fixed to the floor with double-sided adhesive tape or it can be screwed to the floor. Failure to observe said precautions can result in injury or in damage to the appliance or fittings!
-  If a room has underfloor heating the installation plate may only be adhered (fastening material is included in the scope of delivery). Failure to observe said precautions can result in injury or in damage to the appliance or fittings!

Without underfloor heating



- ▶ Fold out spacers **D**.
- ▶ Screw installation plate into place.

With underfloor heating



- ▶ Fold out spacers **D**.
- ▶ Adhere installation plate into place.



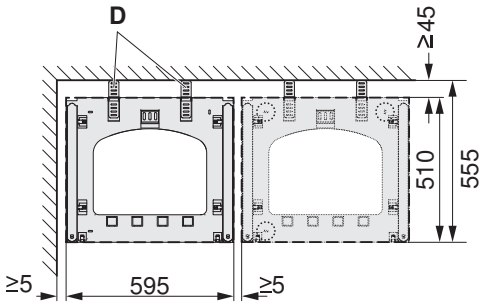
Free-standing position



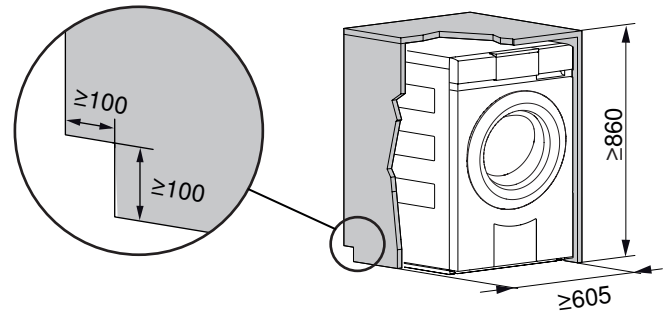
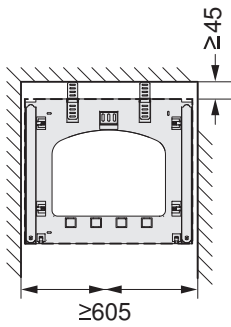
If a tumble dryer and a washing machine are positioned side by side, keep a distance of min. 5 mm between the installation plates and to the walls at the side and min. 45 mm to the back wall. The installation plates for the washing machine and tumble dryer are the same.



Dimensions 45 and 555 only apply if no plumbing fittings are to be installed behind the appliance.



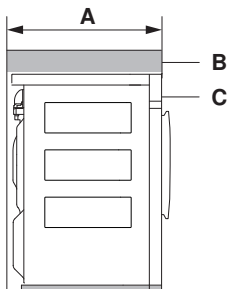
Positioning in a niche



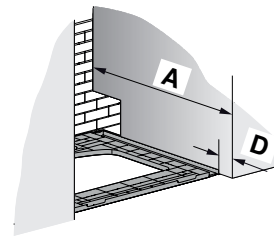
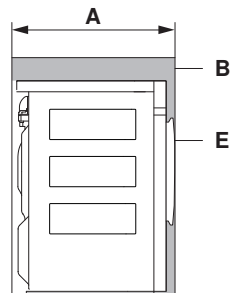
- ▶ Centre the installation plate in the niche.
- ▶ Niche width: ≥ 605 mm
- ▶ Distance to the back wall: ≥ 45 mm

- ▶ Cut-out for connections (left or right): $\geq 100 \times 100$ mm
- ▶ Niche height: ≥ 860 mm

Variant 1



Variant 2



Variant	Positioning	Niche depth A	Installation offset for installation plate D
1	Niche front B and appliance front C are flush	≥ 605 mm	50 mm
2	Niche front B appliance door E are flush	≥ 645 mm	83 mm

5 Tumble dryers

The following tumble dryers are condenser dryers with a heat pump. The process circuit of the heat pump dryer is completely closed. The hot humid air is cooled and condensed in the 1st heat exchanger and then re-heated in the 2nd heat exchanger.

The heat pump dryer has roughly half the energy consumption of conventional tumble dryers, a higher air flow rate and a lower drying temperature. This results in particularly gentle drying, especially suitable for heat-sensitive textiles such as synthetics and blended fabric. The heat pump dryers satisfy the stringent requirements of the Minergy (minimum energy) standard.

5.1 Electrical connection data

Appliance	Country group *	Mains connection	Rated load	Fuse	Mains cable
AdoraDry V6000	A, D, E	220–240 V~ 50 Hz	1050 W	10 A	with plug 2.3 m
	C, F	220–240 V~ 50 Hz	1050 W	10 A	with plug 2.2 m
AdoraDry V2000	A, D, E	220–240 V~ 50 Hz	750 W	10 A	with plug 2.3 m
	C	220–240 V~ 50 Hz	750 W	10 A	with plug 2.2 m

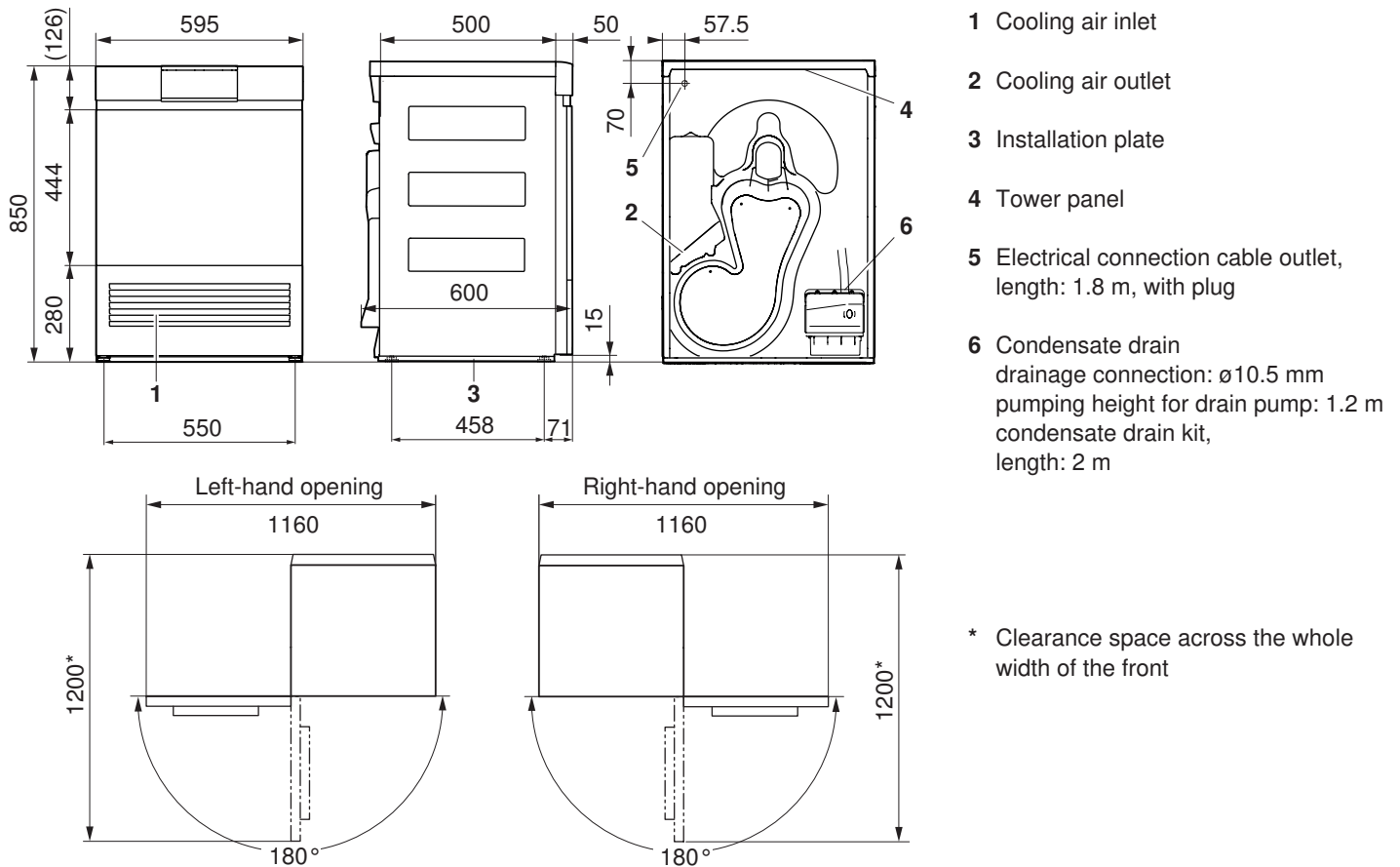
* Key (see page 2)

5.2 Dimensions



The stated dimensions do not include distances from walls. To prevent disturbing noise and vibration the appliances must not come into contact with the surrounding walls of their installation location.

AdoraDry V2000, V6000



5.3 Installation

General condition



To prevent an impermissible rise in temperature and humidity, the room must be min. 20 m³ in size and sufficiently large inlet and outlet openings to an adjacent room or to the outside must be available (open windows, ventilation grilles or slits in the door, ventilation systems). On the other hand there is the possibility of using the waste heat. Normal bathroom extractor fans are not adequate for optimal room ventilation. They switch off with the light after a preset after-running time.

Through the heat recovery of the heat pump dryer, heat dissipation is greatly reduced, resulting in the imposition of far fewer demands on the installation room. Heat pump dryers affect their environment like a heater blower with a heat output of approx. 700 W.



All Adora appliances must be mounted on the installation plate supplied. Only in this case is problem-free operation guaranteed. The appliances can be levelled by means of adjustable feet.

The room must be kept free of dust and fluff.

Room temperature

Permissible room temperature: 5 °C to 35 °C

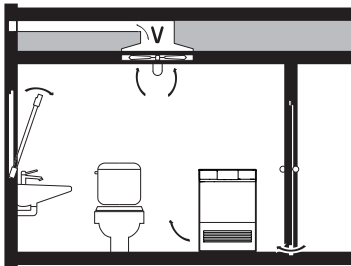


The room temperature must be kept between the range of 15–25 °C to ensure the economic running of the appliance. A room temperature of over 35 °C is critical and extends the duration of the individual programmes. High temperatures can also result in error messages and impair the service life of the appliance.

Ventilation

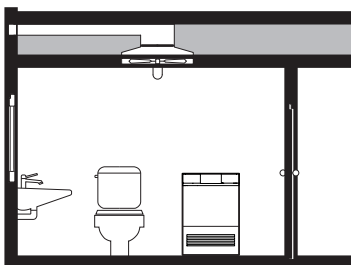
As a general rule, rooms containing heat pump dryers should be ventilated as these produce a small amount of moisture. For each heat pump dryer, the passage of exhaust and intake air must be guaranteed. EXHAUST AIR requires INTAKE AIR. At least the same amount of air must be supplied to as is being extracted from the room.

Ventilation concepts



Installation room volume <20 m³:

- ▶ There must be air inlet and outlet openings (open window, ventilation grille or slits in the door, ventilation system) to the adjacent room or to the outside.
- ▶ Operation is trouble-free with an air circulation rate from 15 m³/h.



Installation room volume ≥20 m³, room kept closed:

- ▶ Condensation may form on thermal bridges!
- ▶ The room must be aired (by opening the door to or a window in the room) between consecutive drying programmes!

5.4 Positioning

To prevent disturbing noise and vibration the appliance must not come into contact with the surrounding walls of its installation location. It is imperative to comply with the supplied installation instructions for positioning the appliance.

- ▶ The appliance must stand level and stable. Check with a spirit level.
- ▶ The appliance must not wobble in case of a crosswise load.

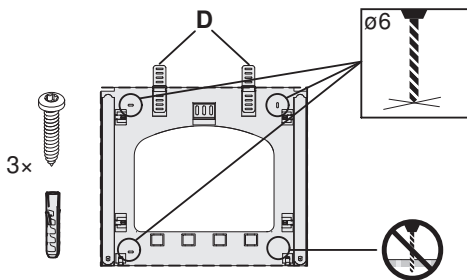
Installation plate (W40653)

General condition

The installation plate is used as an installation aid and its use is obligatory. It can be fixed to the floor with double-sided adhesive tape or it can be screwed to the floor. Failure to observe said precautions can result in injury or in damage to the appliance or fittings!

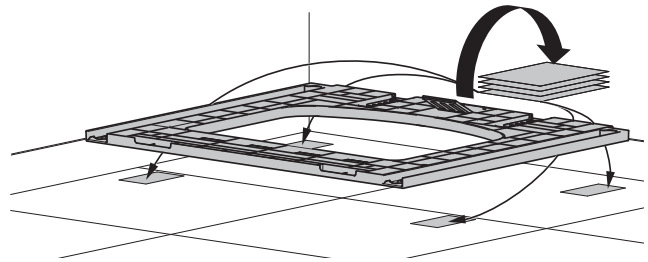
If a room has underfloor heating the installation plate may only be adhered (fastening material is included in the scope of delivery). Failure to observe said precautions can result in injury or in damage to the appliance or fittings!

Without underfloor heating



- ▶ Fold out spacers **D**.
- ▶ Screw installation plate into place.

With underfloor heating

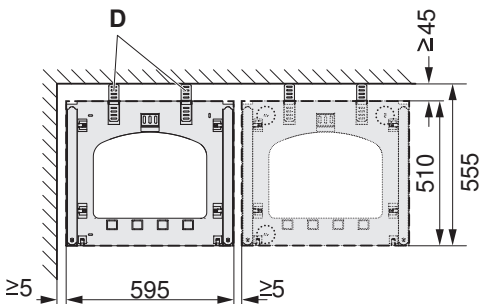


- ▶ Fold out spacers **D**.
- ▶ Adhere installation plate into place.





Free-standing position

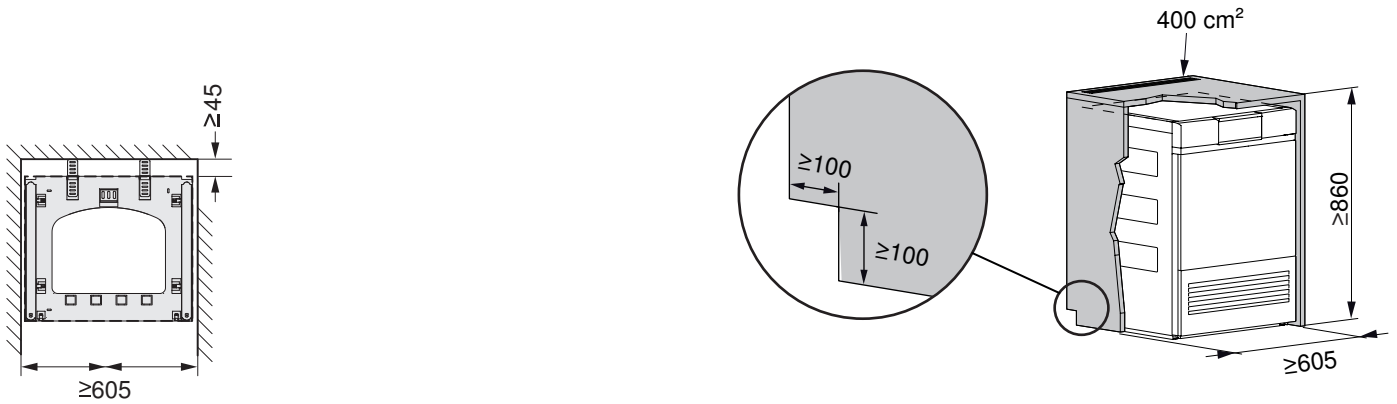
If a tumble dryer and a washing machine are positioned side by side, keep a distance of min. 5 mm between the installation plates and to the walls at the side and min. 45 mm to the back wall. The installation plates for the washing machine and tumble dryer are the same.

Dimensions 45 and 555 only apply if no plumbing fittings are to be installed behind the appliance.



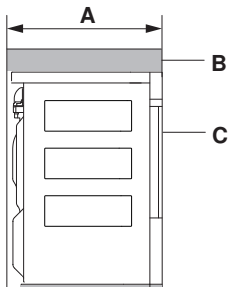
Positioning in a niche

-  If a tumble dryer is installed in a niche, a 130° door stop must be provided (article no. W54086).
-  If the niche is fitted with a door, it must be ensured that the door is left open for the duration of the process. The niche door and the appliance door must be hinged on the same side.
-  The condensed water hose must not be crushed between the rear of the appliance and the building wall.
-  The heat given off from the rear of the appliance must be conducted out of the niche. By means of 2 ventilation grilles P33002 (see page 31) or a ventilation cross-section of min. 400 cm² in the niche cover ensure there is a supply of fresh air via the connection opening.

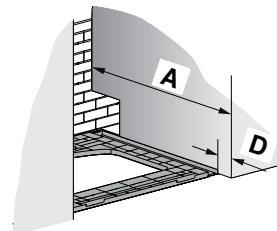
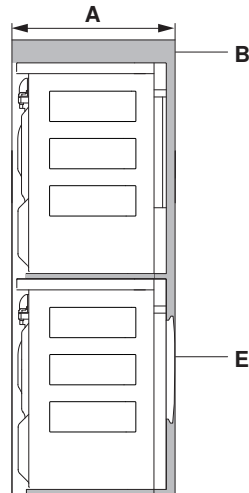


- ▶ Centre the installation plate in the niche.
- ▶ Niche width: ≥605 mm
- ▶ Distance to the back wall: ≥45 mm
- ▶ Cut-out for connections (left or right): ≥100 × 100 mm
- ▶ Niche height: ≥860 mm
- ▶ Ventilation cross-section: ≥400 cm²

Variant 1



Variant 2



Variant	Positioning	Niche depth A	Installation offset for installation plate D
1	Niche front B and tumble dryer front C are flush	≥605 mm	50 mm
2	Niche front B and washing machine door E are flush	≥645 mm	83 mm

6 Washer-dryer towers



For safety reasons, tumble dryers standing upon washing machines are never to be mounted and operated without the associated installation plate.

Disconnection points must be provided for the water supply and electrical connection, which must be capable of being actuated without moving the appliances.

6.1 Installation

Washing machines

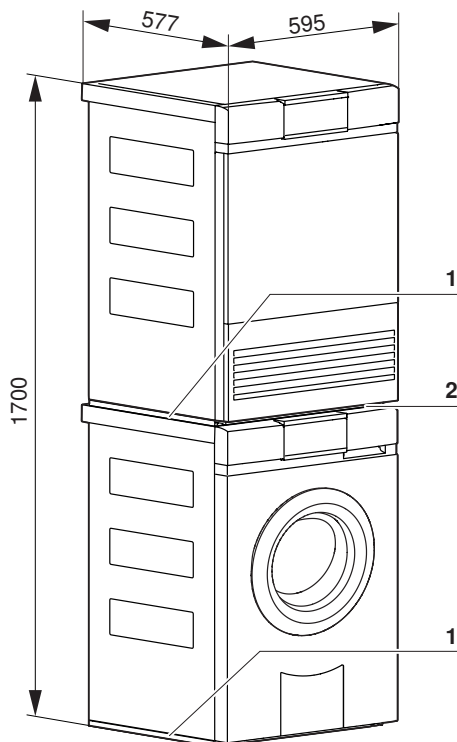
Install the washing machine as per the section on Installation (see page 14).

Tumble dryers

Install the tumble dryer as per the section on Installation (see page 17).





6.2 Positioning

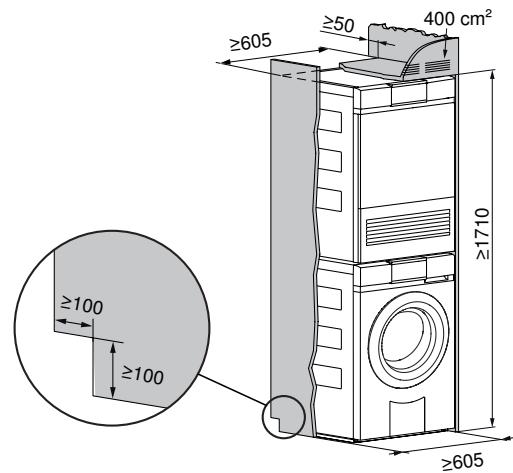
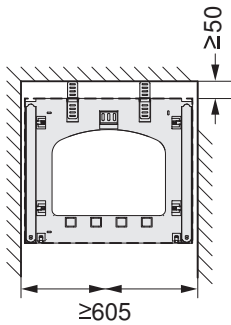
Free-standing position



- 1 Installation plate
- 2 Tower panel (when delivered, attached to the cover plate at the back of the tumble dryer)

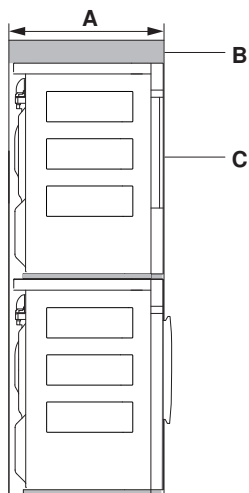
Positioning in a niche

-  If a tumble dryer is installed in a niche, a 130° door stop must be provided (article no. W54086).
-  If the niche is fitted with a door, it must be ensured that the door is left open for the duration of the process. The niche door and the appliance door must be hinged on the same side.
-  The condensed water hose must not be crushed between the rear of the appliance and the building wall.
-  The heat given off from the rear of the appliance must be conducted out of the niche. By means of 2 ventilation grilles P33002 or a ventilation cross-section of min. 400 cm² in the niche cover ensure there is a supply of fresh air via the connection opening.

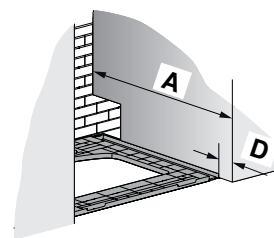
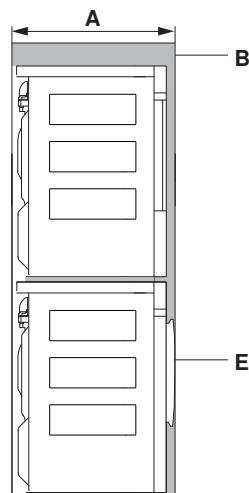


- ▶ Centre the installation plate in the niche.
- ▶ Niche width: ≥605 mm
- ▶ Distance to the back wall: ≥50 mm
- ▶ Cut-out for connections (left or right): ≥100 × 100 mm
- ▶ Niche height: ≥1710 mm
- ▶ Ventilation cross-section: ≥400 cm²

Variant 1



Variant 2



Variant	Positioning	Niche depth A	Installation offset for installation plate D
1	Niche front B and tumble dryer door C are flush	≥605 mm	50 mm
2	Niche front B and washing machine door E are flush	≥645 mm	83 mm

7 Combined washer-dryer

7.1 Electrical connection data

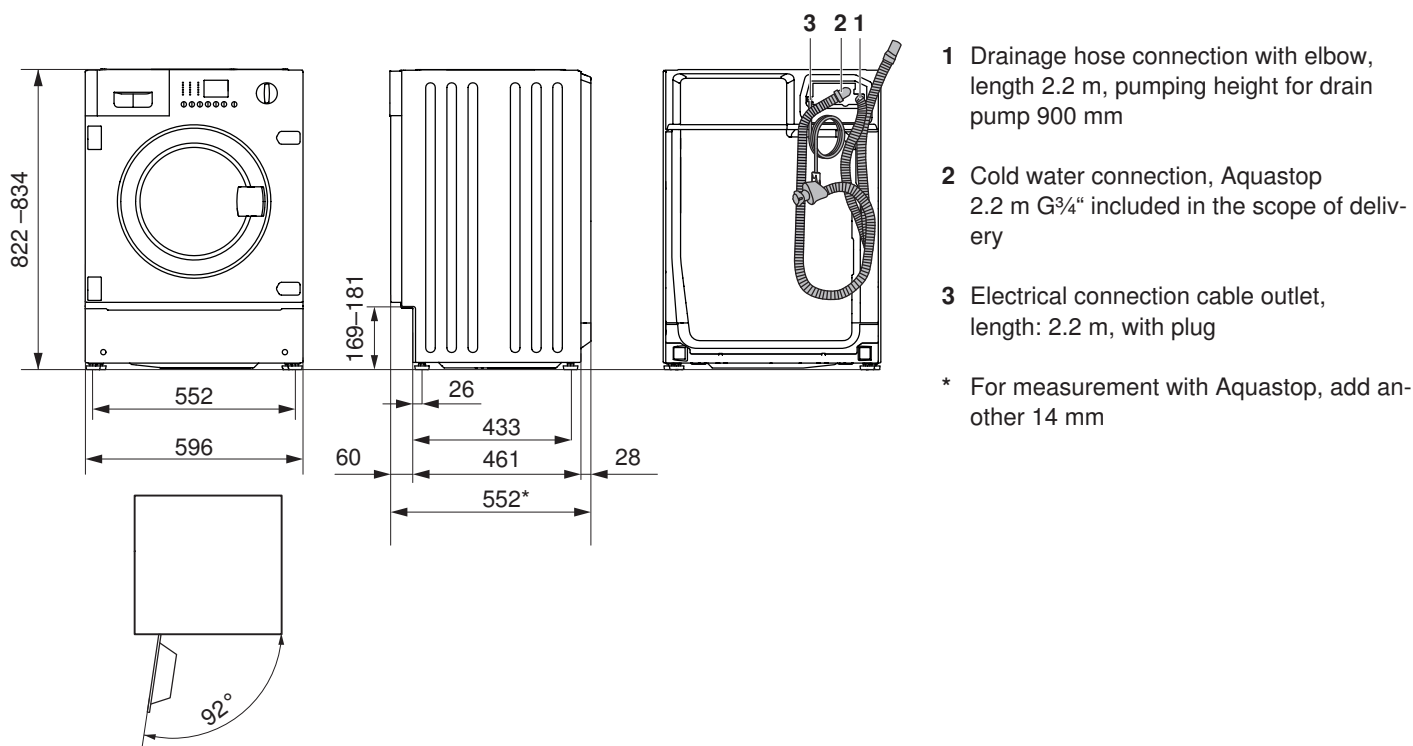
Appliance	Country group *	Mains connection	Rated load	Fuse	Mains cable
Adorina CS	C	220–240 V~ 50 Hz	2200 W	13 A	with plug (BS 1363) 2.2 m
	F	220–240 V~ 50 Hz	2200 W	10 A	with plug (CH2-16P) 2.2 m

* Key (see page 2)

7.2 Dimensions

The stated dimensions do not include distances from walls. To prevent disturbing noise and vibration the appliances must not come into contact with the surrounding walls of their installation location.

Adorina CS (11018)



7.3 Installation

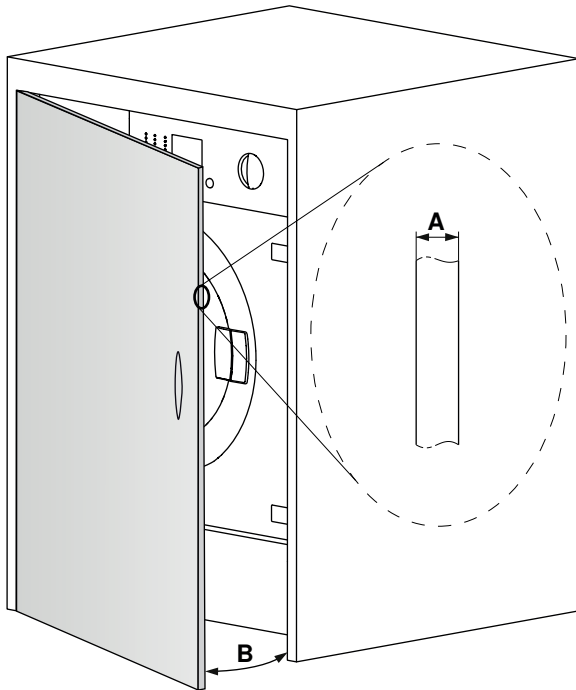
General condition

The Adorina appliances have 4 adjustable feet to correct for uneven or sloped floors. The height adjustment allows for a 6–15 mm gap from the bottom side of appliance to the floor.



The «Adorina combined washer-dryer» may only be used with a decor panel.

Hinges, magnetic locks and and push-pull locks for mounting the decor panel are included in the scope of delivery (see page 31). The decor panel can be mounted to the left or right (see document 1017089).



- A** Thickness of decor panel 16–21 mm
- B** Opening angle: ≥ 110 mm

Room climate and ventilation

Room temperature

Permissible room temperature:

Tower with tumble dryer: 5 °C to 35 °C



The room temperature should be kept as low as possible to ensure the economic running of the appliance. A room temperature of over 35 °C is critical and extends the duration of the individual programmes. High temperatures can also result in error messages and impair the service life of the appliance.

Ventilation

For further details, refer to the section on room climate and ventilation (see page 17). See the installation instructions for further instructions.

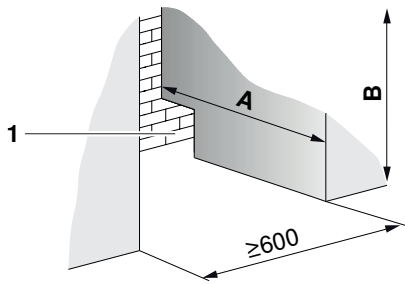
7.4 Positioning

- ▶ The appliance must stand level and stable. Check with a spirit level.
- ▶ The appliance must not wobble in case of a crosswise load.

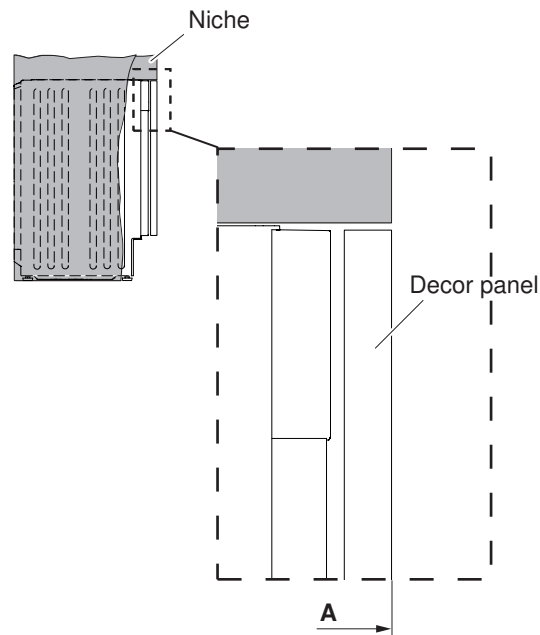
The floor surface must be clean, dry, free of floor wax residue and other lubricating coatings so that the appliance does not slide away! Do not use pieces of wood, cardboard or the like to compensate for any small irregularities in the floor surface (a floor attachment plate set no. 81131132 may be used to secure the appliance). If, for reasons of space, it is not possible to avoid installing the appliance directly next to a gas or coal-fired appliance: install a thermal insulation panel between the cooker and the appliance (85 × 57 cm) which must have an aluminium film on the side against the cooker.

Positioning in a niche

The Adorina appliances have 4 adjustable feet to correct for uneven or sloped floors. The height adjustment allows for a 6–15 mm gap from the bottom side of appliance to the floor.



- ▶ Cut-out for connections **1** (left or right):
≥50 × 100 mm or
≥80 × 80 mm
- ▶ Niche depth **A**: ≥584 mm
- ▶ Niche height **B**: ≥825 mm



- ▶ Appliance decor panel or appliance panel flush with neighbouring appliances/panels



8 Textile care system

8.1 Electrical connection data

Appliance	Country group *	Mains connection	Rated load	Fuse	Mains cable
RefreshButler V6000	A, B, C, E	230 V~ 50 Hz	1200 W	10 A	with plug 2.2 m
	D, F	220–240 V~ 50 Hz	1200 W	10 A	with plug 2.2 m

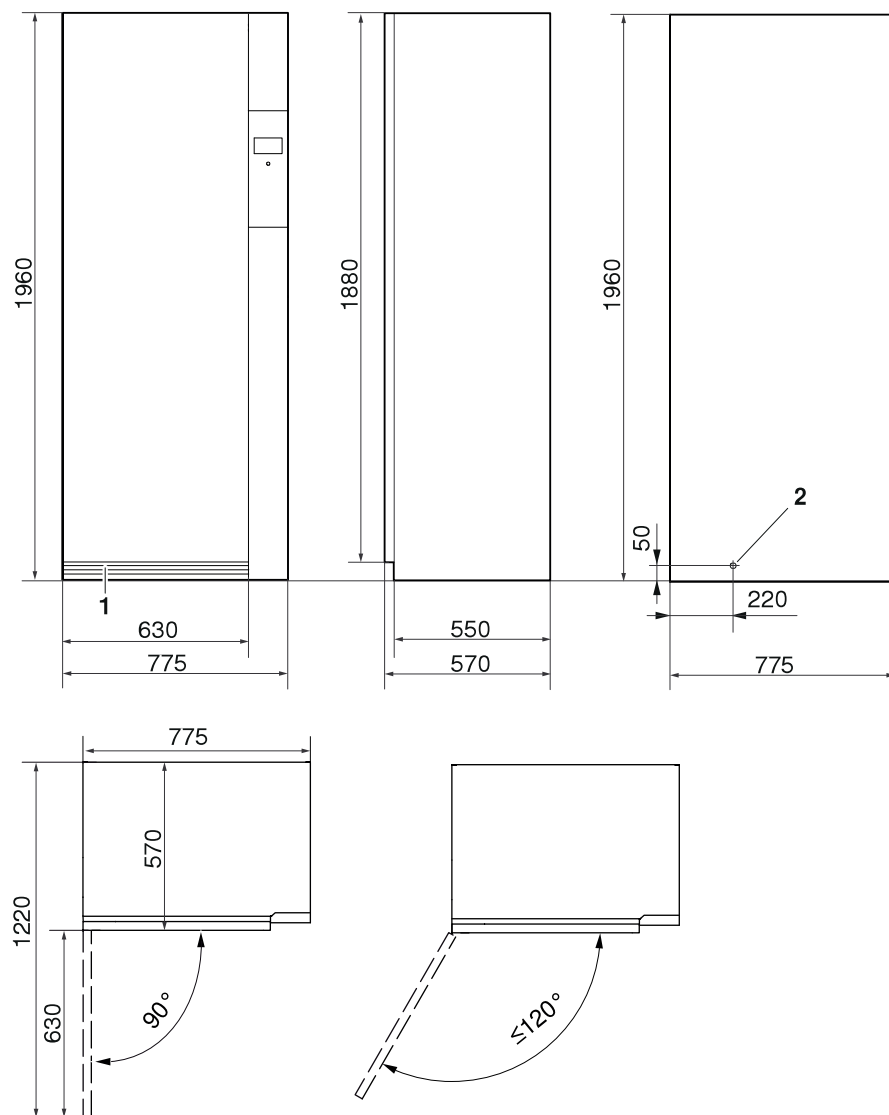
* Key (see page 2)

8.2 Dimensions



The stated dimensions do not include distances from walls. To prevent disturbing noise and vibration the appliances must not come into contact with the surrounding walls of their installation location.

RefreshButler V6000 (14003)



- 1 Cooling air inlet
- 2 Electrical connection cable outlet, length: 2.2 m, with plug

8.3 Installation

General condition



To prevent an impermissible rise in temperature and humidity, the room must be min. 20 m³ in size and sufficiently large inlet and outlet openings to an adjacent room or to the outside must be available (open windows, ventilation grilles or slots in the door, ventilation systems). On the other hand there is the possibility of using the waste heat.

Normal bathroom extractor fans are not adequate for optimal room ventilation. They switch off with the light after a preset after-running time.

Through the heat recovery of the heat pump dryer, heat dissipation is greatly reduced, resulting in the imposition of far fewer demands on the installation room. Heat pump dryers affect their environment like a heater blower with a heat output of approx. 700 W. The appliance can be levelled by means of adjustable feet. The room must be kept free of dust and fluff.

Ventilation

As a general rule, rooms containing a textile care appliance must be ventilated as these produce some humidity. For each heat pump dryer, the passage of exhaust and intake air must be guaranteed. EXHAUST AIR requires INTAKE AIR. At least the same amount of air must be supplied to as is being extracted from the room. If the room is kept closed, the installation room volume must be min. 20 m³.

8.4 Positioning



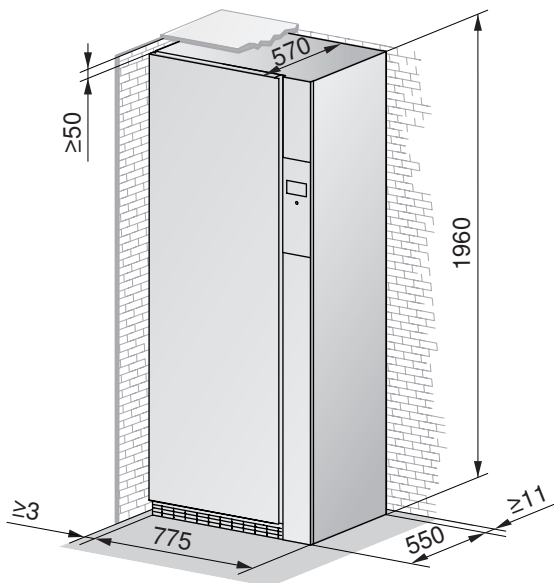
To prevent disturbing noise and vibration the appliance must not come into contact with the surrounding walls of its installation location. It is imperative to comply with the supplied installation instructions for positioning the appliance.

- ▶ The appliance must stand level and stable. Check with a spirit level.
- ▶ The appliance must not wobble in case of a crosswise load.

Free-standing position



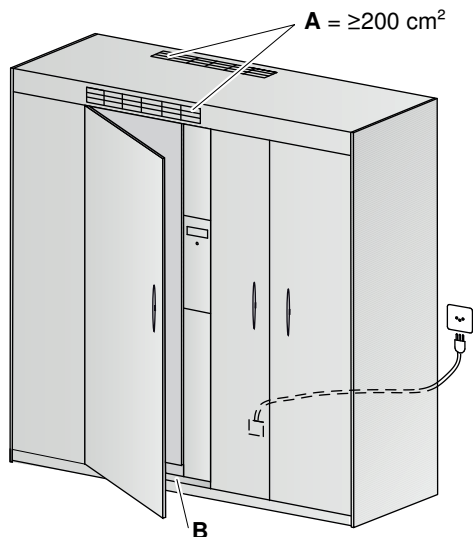
When positioning a RefreshButler so that it is free-standing, a distance of min. 3 mm must be kept to the walls to the left and right.



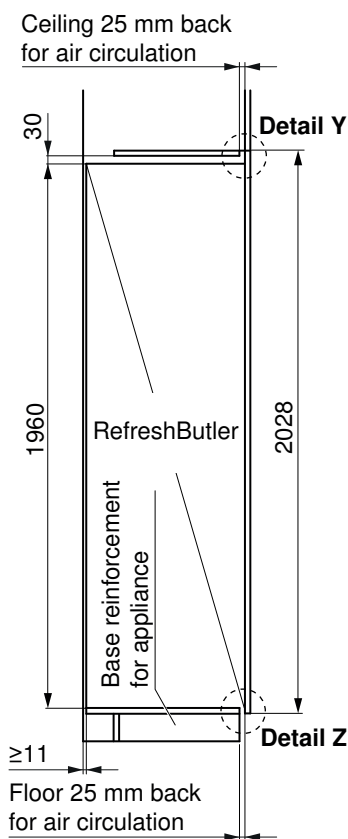
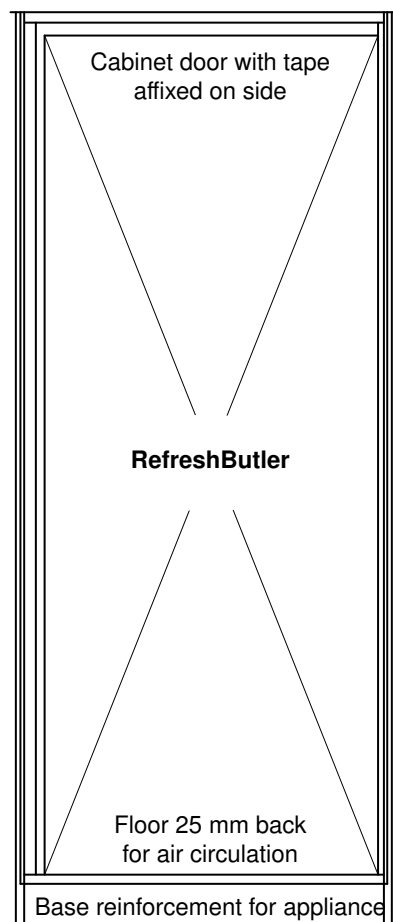
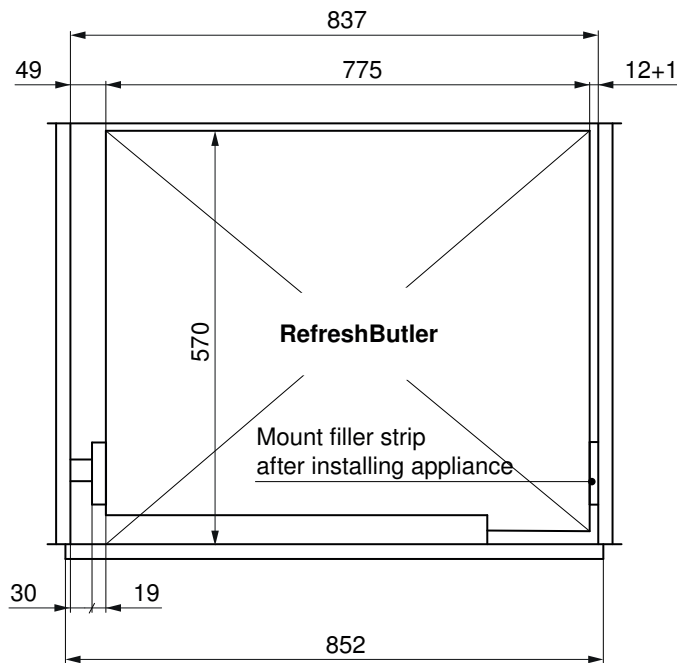
Positioning in a niche (without decor panel)



The door extends across entire width of opening. There is no connection to the RefreshButler door.

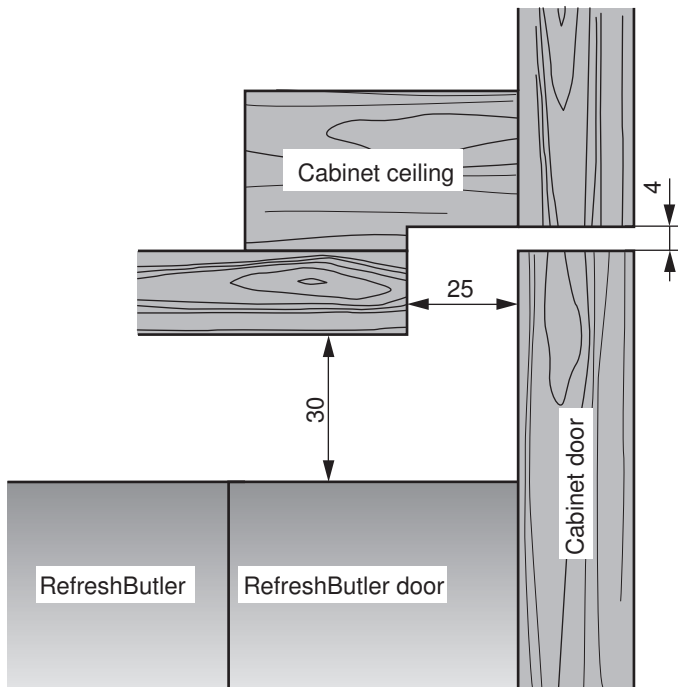


- A** Ventilation slit on the top at the back or above the cabinet door
- B** Load-bearing capacity of cabinet floor: min. 170 kg

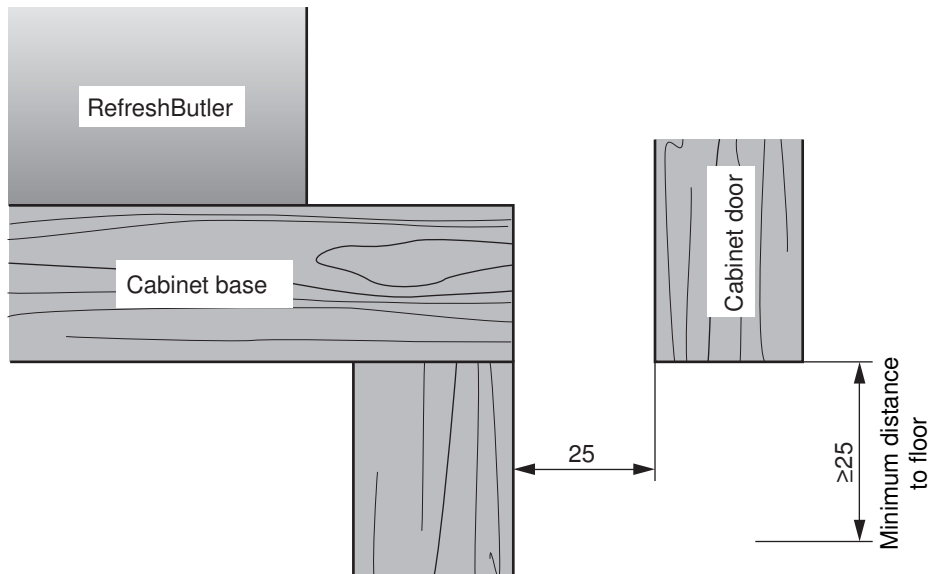




Detail Y



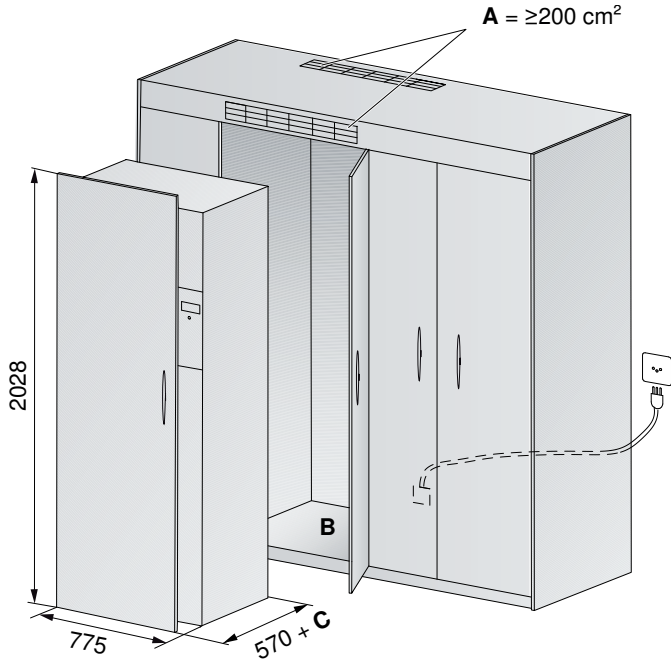
Detail Z



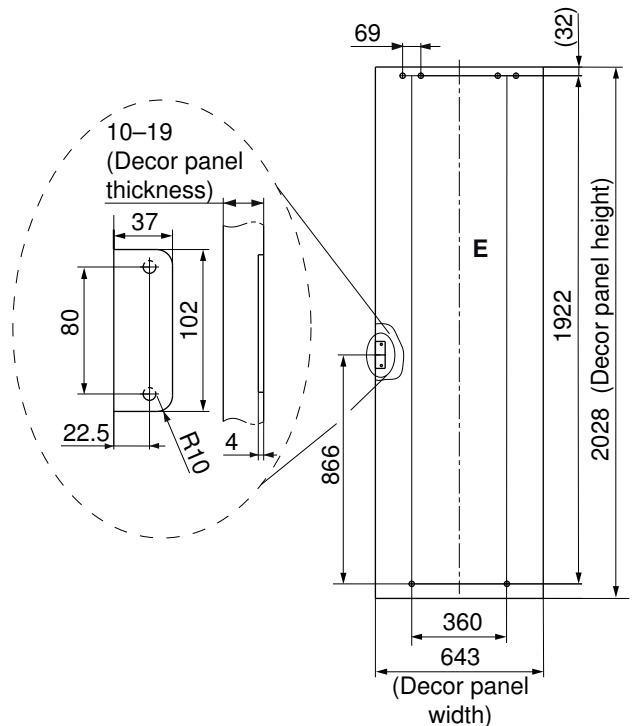
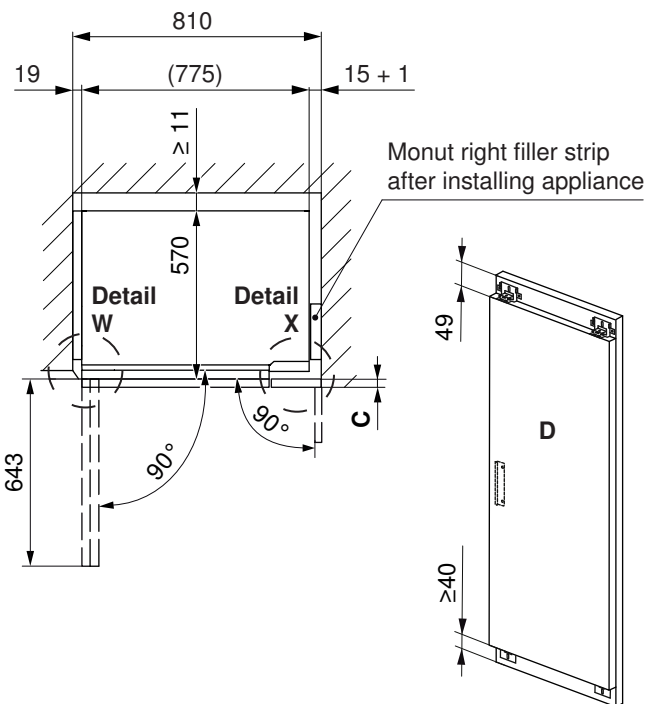
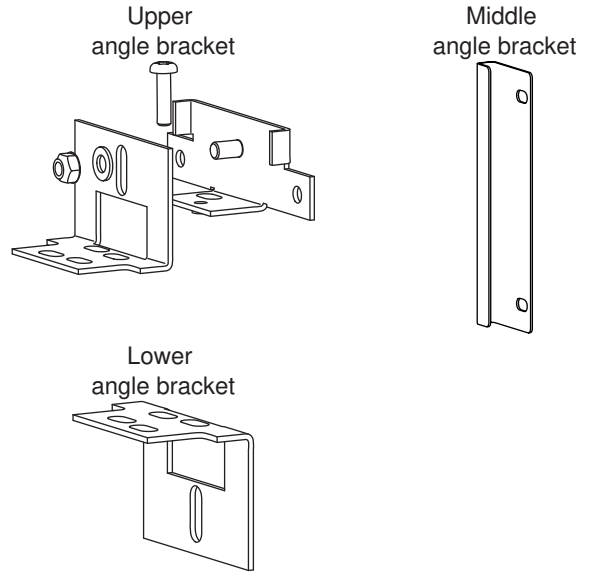
Positioning in a niche (with decor panel)



The decor panel is fastened to the RefreshButler door.



Angle bracket *

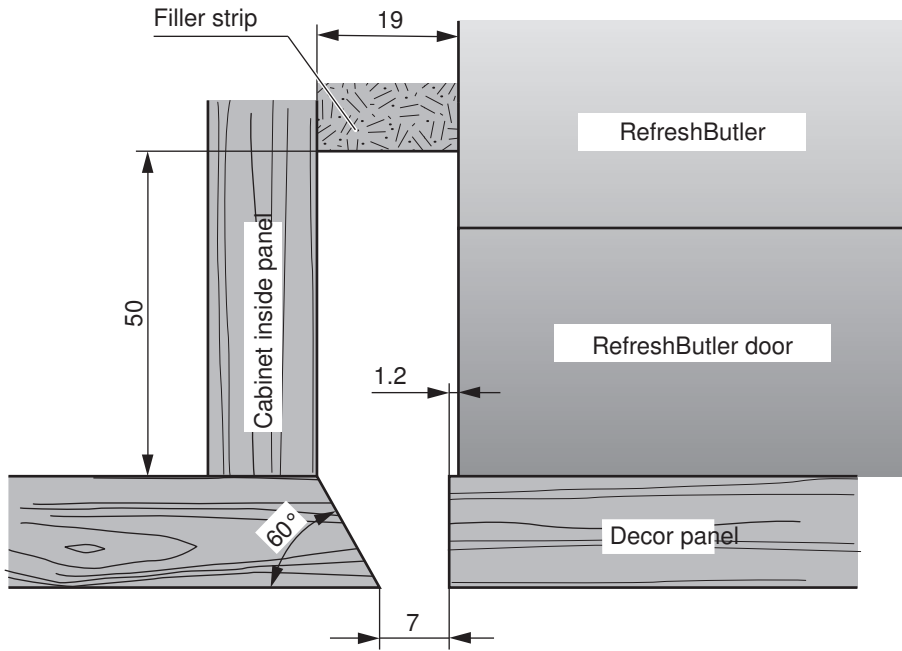


- A** Ventilation slit on the top at the back or above the cabinet door
- B** Load-bearing capacity of cabinet floor:
min. 170 kg + weight of decor panel
- C** Thickness of decor panel

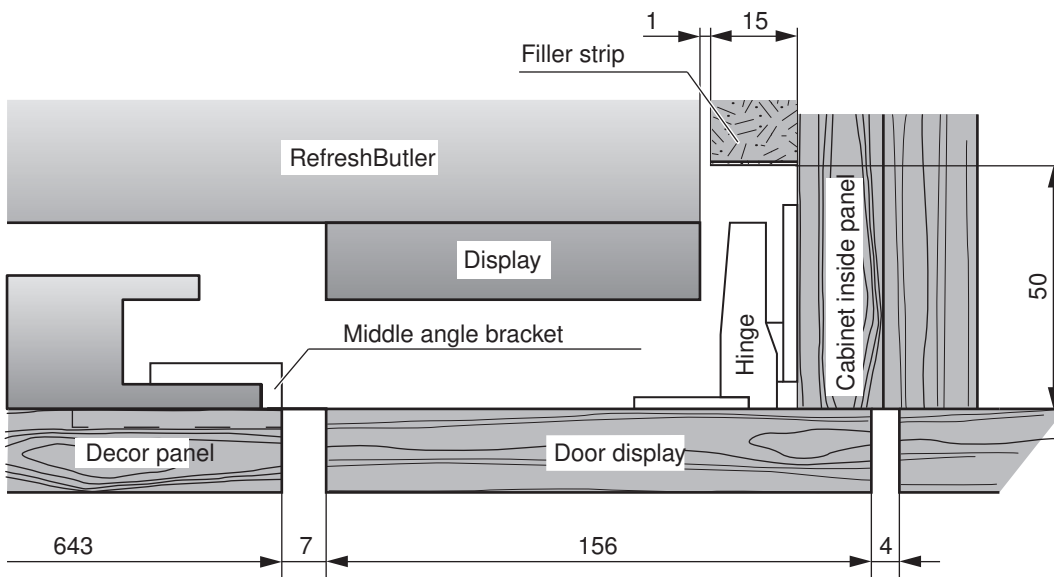
- D** RefreshButler door with decor panel and 5 angle brackets*
Maximum permissible weight of decor panel: 35 kg
- E** Installation drawing for decor panel

* included in the scope of delivery (see installation set W56295)

Detail W



Detail X



9 Accessories



You can order the appropriate accessories for your V-ZUG appliances directly from our accessories shop. Visit vzug.com for more information.

9.1 Washing machines

Designation	Article no.	Model designation
4 m drain hose set, can be shortened: max. permissible drain height ≤ water outlet out of appliance ~80 cm.	W33543	AdoraWash V2000–V6000
Hose support (included in the 4 m drain hose set)	80868039	AdoraWash V2000–V6000
Long hose set (3 m Aquastop hose and 4 m drain hose)	1012989	AdoraWash V2000–V6000

9.2 Tumble dryers

Designation	Article no.	Model designation
Ventilation grille	P33002	AdoraDry V2000, V6000
Fixing discs (set of 2 discs)	81131132	AdoraDry V2000, V6000
Combi drainage set	W55969	AdoraDry V2000, V6000
Condensate drain kit (included in the scope of delivery)	W56298	AdoraDry V2000, V6000
Backflow preventer	W50028	AdoraDry V2000, V6000
Drying basket set	W55884	AdoraDry V2000, V6000
Tower panel (included in the scope of delivery)	W55687	AdoraDry V2000, V6000
130° door stop for niche installation	W54086	AdoraDry V2000, V6000

9.3 Textile care system

Designation	Article no.	Model designation
5 clothes hangers (included in the scope of delivery)	W54789	RefreshButler V6000
1 basket (included in the scope of delivery)	W56746	RefreshButler V6000
durgol swiss steamer descaler	B28006	RefreshButler V6000

9.4 Combined washer-dryer

Designation	Article no.	Model designation
Accessories set for decor panel, cpl., left/right (included in the scope of delivery)	1022304	Adorina CS
4 m drain hose set	1034496	Adorina CS

CONTACT IN SWITZERLAND

V-ZUG Ltd
Industriestrasse 66
CH-6302 Zug/Switzerland
www.vzug.com

Service & Support International
Tel. +41 58 767 67 78
service-support@vzug.com

