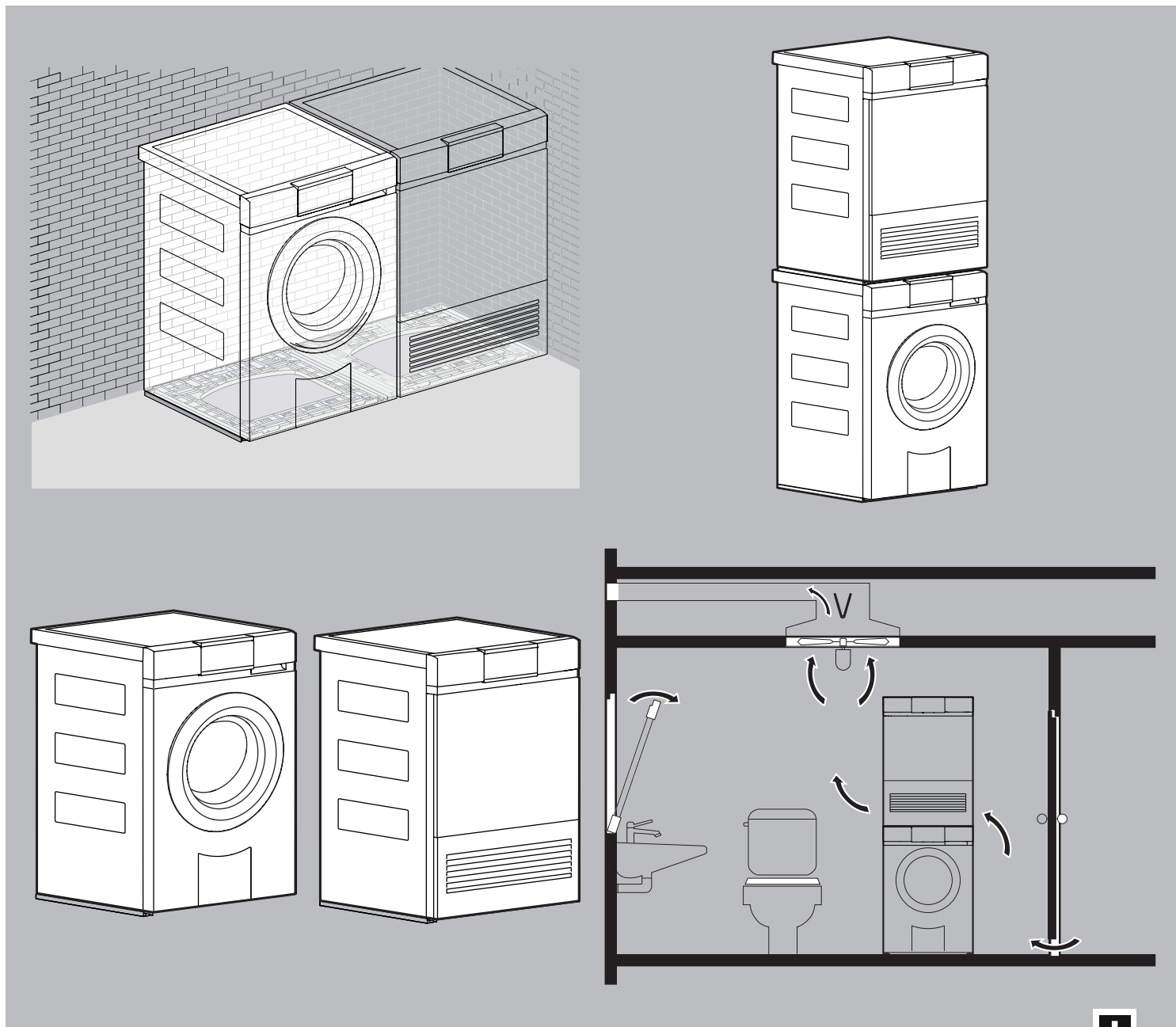




Swiss perfection for your home



Laundry room appliances

Australia collection

Planning aid

2020/2021



Note on content

Please note


This planning aid applies to the specified model numbers only. Older planning aids for earlier generation models may be requested in electronic form from our Customer Services.

This planning aid is not to be used as installation instructions! The regulations and instructions binding for the appliance installation are to be obtained from the installation instructions packed with the appliances. The installation instructions can also be downloaded from the internet from www.vzug.com/b2b.

Modifications

Text, diagrams and data correspond to the technical standard of the appliances at the time this planning aid went to press. The right to make technical modifications for the purpose of the further development of the appliances is reserved. The German, English, French and Italian versions are binding. V-ZUG accepts no liability for translations in other languages.

Symbols used

 **Denotes important safety precautions.**
Failure to observe said precautions can result in injury or in damage to the appliance or fittings!

- ▶ Indicates an instruction.
- Indicates a list.

 **Information and precautions that should be observed.**

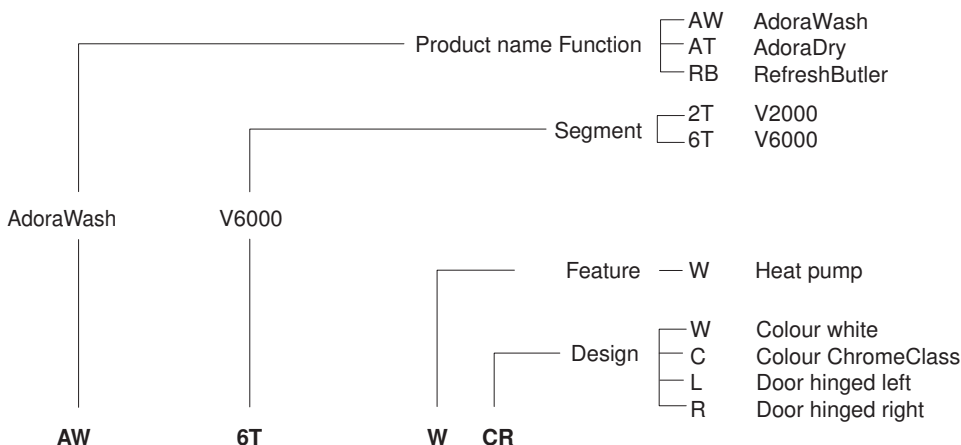
Supplementary documents

In this planning aid, occasional reference is made to supplementary documents. These documents can be requested from the Head Office in Zug by sending an e-mail to service-support@vzug.com.

Useful links

- www.vzug.com
- www.vzug.com/b2b
- www.lifestyle.vzug.com

Explanation of terms





Contents

1 Appliance overview	4
1.1 Validity.....	4
1.2 Washer-dryer towers.....	4
2 Electrical connections	5
2.1 General operating conditions	5
2.2 Using residual current devices in house wiring system / fault current.....	5
3 Plumbing in	6
3.1 Washing machines.....	6
3.2 Tumble dryers	7
3.3 Washer-dryer combination	8
4 Washing machines	11
4.1 Electrical connection data	11
4.2 Dimensions	11
4.3 Installation	12
4.4 Positioning.....	12
5 Tumble dryers	14
5.1 Electrical connection data	14
5.2 Dimensions	14
5.3 Installation	15
5.4 Positioning.....	16
6 Washer-dryer towers	18
6.1 Installation	18
6.2 Positioning.....	18
7 Convenient storage drawer	20
7.1 Dimensions	20
8 Textile care system	21
8.1 Electrical connection data	21
8.2 Dimensions	21
8.3 Installation	22
8.4 Positioning.....	23
9 Accessories	28
9.1 Washing machines.....	28
9.2 Tumble dryers	28
9.3 Textile care system	28
10 V-ZUG-Home	29
10.1 Internet access.....	29
10.2 Scope of delivery.....	29
10.3 Connecting to the home network.....	29
Index	30
11 Notes	31

1 Appliance overview

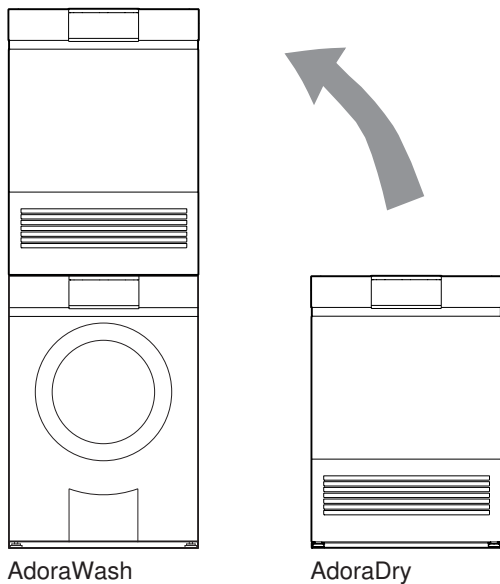
1.1 Validity

The model number corresponds to the first alphanumeric of the serial number SN (or FN) on the identification plate.

Product	Model number	Product	Model number
Washing machines		Tumble dryers	
AdoraWash V2000	11021	AdoraDry V2000	12011
AdoraWash V6000	11025	AdoraDry V6000	12013
		Textile care system	
		RefreshButler	14003

1.2 Washer-dryer towers

Washing machines and tumble dryers with the same level of convenience can be combined to form a washer-dryer tower.





2 Electrical connections



Electrical connections must be carried out by qualified experts in accordance with the guidelines and standards for low-voltage installations and the specifications of the local electricity supply companies.

A plug-in appliance may only be connected to a socket outlet with earthing contact, installed according to specifications. An all-pole mains isolating device with 3 mm contact opening should be provided in the house wiring system. Switches, plug and socket devices, circuit breakers and fusible cut-outs which are accessible after installation and which have all-poles switching are permissible as isolating devices. Effective earthing and separately installed neutral and earth conductors ensure safe and fault-free operation. After installation, live parts and cables with basic insulation must not be accessible. Check old installations.

2.1 General operating conditions



Detailed information on the electrical connection data can be found at the beginning of each section.

Value	Nominal value	Minimum	Maximum
Voltage	230 V	207 V	253 V
Frequency	50 Hz sinusoidal	49 Hz sinusoidal	51 Hz sinusoidal

- Short duration frequency variation in the mains: ± 1 Hz
- Long duration frequency stability in the mains (for synchronous clocks): ± 10 ppm
- Protection type IP: IP-X4
- Operating height: Electrical safety is guaranteed up to 2,000 m above sea level.

2.2 Using residual current devices in house wiring system / fault current

Washing machines have an inherently high fault current. The values can be affected by various factors and vary widely. In accordance with the norm, fault currents of up to approximately 10 mA per appliance are permissible. The values are measured in the warm operating state.

If residual current devices (RCDs) are used in the house wiring system, we recommend that the above-mentioned appliances have their own RCD protection, separate from the power supply for the rest of the system. The tripping current of the RCD should be selected to be 30 mA or higher.

3 Plumbing in

3.1 Washing machines

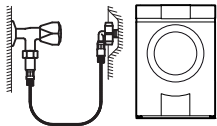
Comply with the regulations laid down by the local water supply authority for the layout of the supply pipe and drainage.

General operating conditions

Value		Nominal value	Minimum	Maximum
Mains pressure (0.1 MPa = 1 bar)	Static	0.3 MPa	0.1 MPa	1.0 MPa
	Flowing	–	0.08 MPa	1.0 MPa
Water hardness ¹		–	0.5 °fH	50 °fH
Water inlet temperature	Cold water	–	5 °C	35 °C
Water inlet		G ³ / ₄ "	–	–
Drainage cross-section		ø internal 57 mm (on-site)	ø internal min. 19 mm	–

¹ For special cases with water hardness in excess of 50 °fH, an external water softener is recommended.

Water inlet



Appliance	Hose ¹	Length	Connection	Optimal working pressure	Possible pressure range
AdoraWash V2000, V6000	Inlet hose with Aquastop	1.25 m	G ³ / ₄ "	0.3 MPa (3 bar)	0.1–1.0 MPa (1–10 bar)

¹ If the standard connection length is not long enough, order the CS set containing long hoses with longer connection lengths (see page 28).



Connection to a mixer tap or a continuous flow heater is not permitted!

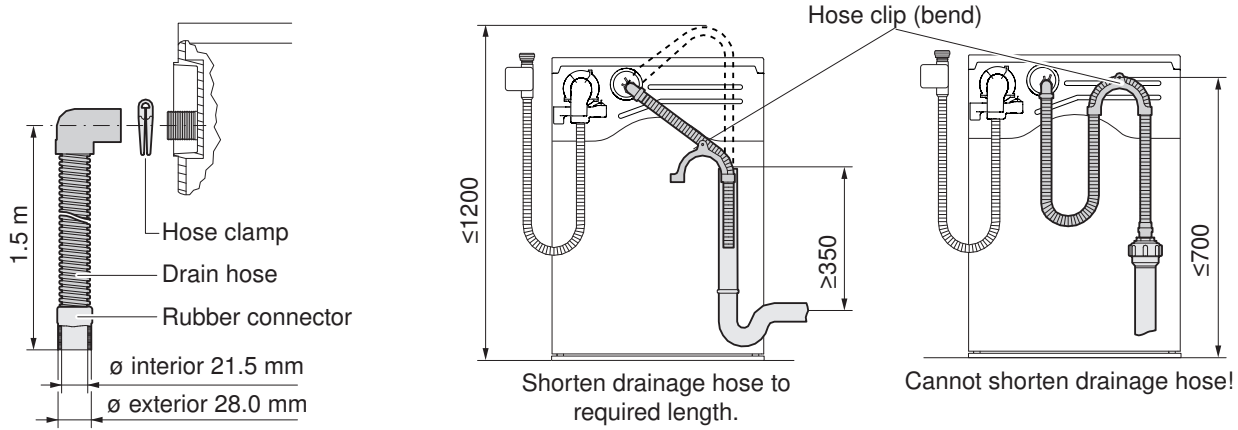


Special lengths must be connected directly to the appliance. Lengthening the inlet and drain hoses is not permitted.

Water outlet



V-ZUG does not supply or install drain-traps. Follow the drain-trap manufacturer's instructions.



Appliance	Hose	Length	Connection	Pumping height of drain pump from floor
AdoraWash V2000, V6000	Corrugated plastic hose	1.5 m	ø internal 21.5 mm	≤1200 mm

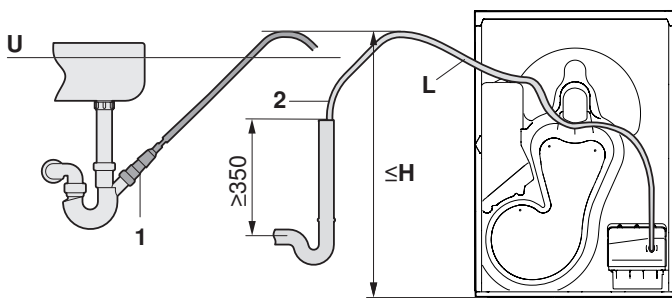
3.2 Tumble dryers



V-ZUG does not supply or install drain-traps. Follow the drain-trap manufacturer's instructions.

Direct drainage

AdoraDry



- 1 Connection to sink drain trap, set W53070
 - 2 Condensate drain kit W56298 (series standard)
- ▶ Use a drain trap with an open-top fixed upright outflow pipe.
 - ▶ For a connection to sink drain trap, position the drain hose above the overflow line U.

Appliance	Hose	Length L from drain pump to H	Connection	Pumping height H of drain pump from floor
AdoraDry V2000, V6000	Smooth PVC hose	2.5 m	ø external 10.5 mm	≤1200 mm

3.3 Washer-dryer combination

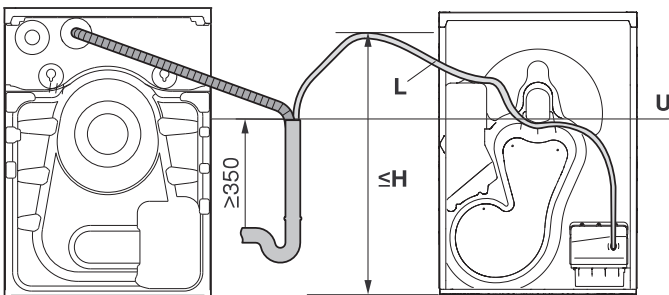


V-ZUG does not supply or install drain-traps. Follow the drain-trap manufacturer's instructions.

Connection to drain trap with open-top fixed upright outflow pipe

Appliances installed side by side with separately routed drainage pipe

AdoraWash & AdoraDry

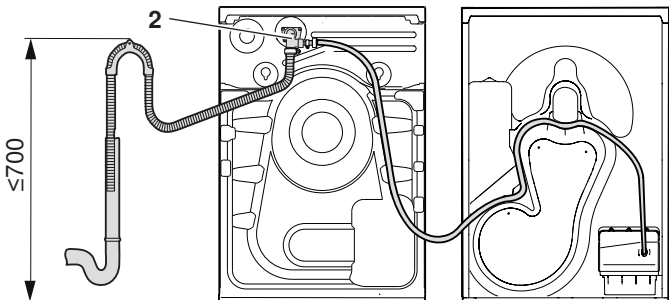


► Position the drain hose from the tumble dryer above the overflow line **U**.

Appliance	Hose	Length L from drain pump to H	Connection	Pumping height H of drain pump from floor
AdoraDry V2000, V6000	Smooth PVC hose	2.5 m	ø external 10.5 mm	≤1200 mm

Appliances installed side by side with combi drainage set

AdoraWash & AdoraDry

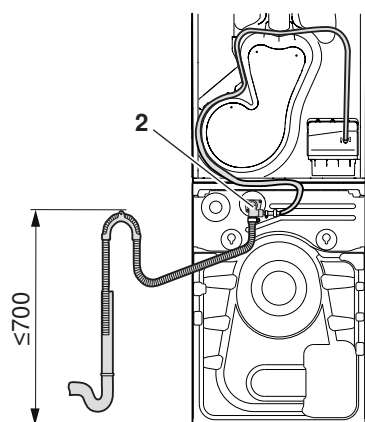


2 Combi drainage set W55969

- Fix hose end with hose support.
- Secure drain hose on tumble dryer so that it cannot kink.

Washer-dryer tower with combi drainage set

AdoraWash & AdoraDry



2 Combi drainage set W55969

► Fix hose end with hose support.

Connection to concealed drain-trap

V-ZUG does not supply or install concealed drain-traps. Unused connections to the concealed drain-trap must be sealed off. Where possible, the washing machine and tumble dryer should be connected to a separate concealed drain-trap. Secure drain hoses with a clamp (not included in the scope of delivery).

Water must be prevented from flowing from the washing machine into the tumble dryer!

1 A washing machine and tumble dryer may only be connected to the same concealed drain-trap if the two appliances remain hydraulically separate from one another.

2 Washer-dryer tower or washing machine and tumble dryer installed side by side with combi drainage set

The AdoraDry V2000, V6000 tumble dryers can be retrofitted with the accessory combi drainage set (article no. W55969). It permits the water outlet of a washing machine and a tumble dryer into one water outlet (concealed drain-trap). The water from the tumble dryer is pumped by the pump into the water outlet of the washing machine.

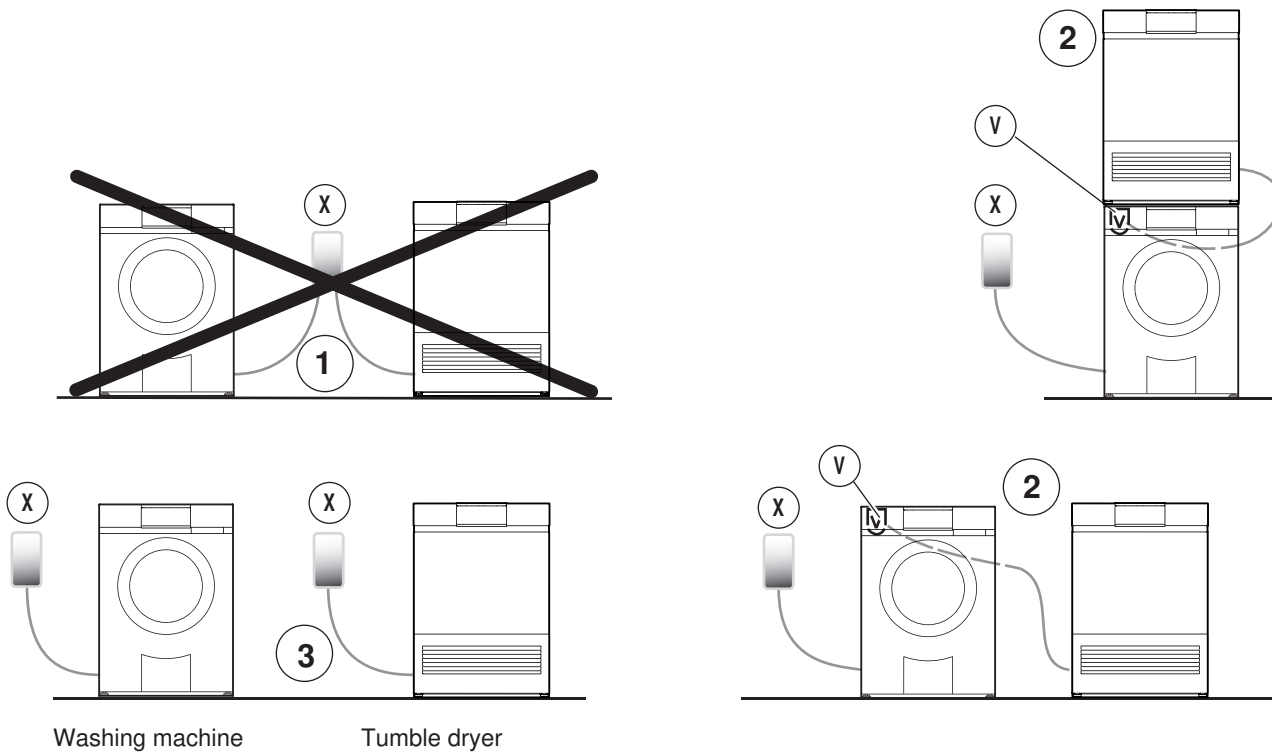
3 Washing machine and tumble drying installed side by side

If a tumble dryer is installed side by side with the appropriate washing machine, each appliance must be connected to a separate concealed drain-trap.

The combi drainage set V may be used if there is only one concealed drain-trap X.

Combi drainage set W55969

Concealed drain-trap



4 Washing machines

4.1 Electrical connection data

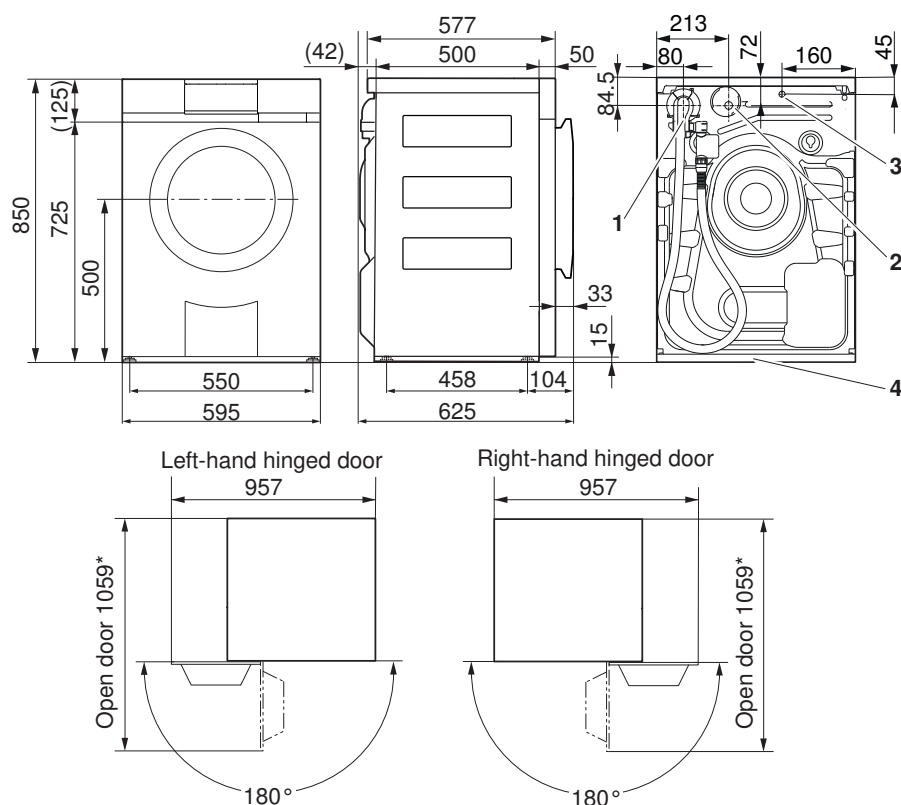
Appliance	Mains connection	Rated load	Fuse	Mains connection cable
AdoraWash V6000	220–240 V~ 50 Hz	2100 W	10 A	1.8 m, with plug
AdoraWash V2000	220–240 V~ 50 Hz	2300 W	10 A	1.8 m, with plug

4.2 Dimensions



The stated dimensions do not include distances from walls. To prevent disturbing noise and vibration the appliances must not come into contact with the surrounding walls of their installation location.

AdoraWash V2000, V6000



- 1 Cold water connection; inlet hose with Aquastop, length: 1.25 m
Connection: G $\frac{3}{4}$ "
- 2 Drain hose connection with elbow, length: 1.5 m
Pumping height of drain pump from floor: ≤ 1200 mm
- 3 Outlet mains connection cable, length: 1.8 m, with plug
- 4 Installation plate

* In order that the detergent dispenser drawer can be used without obstruction and be taken out for cleaning, the clearance space must be observed across the entire front of the appliance.


4.3 Installation

General condition

 **All Adora appliances are delivered with mounted transport lock. It must be removed when the appliance is installed.**

Damage to the appliance and surrounding equipment or furniture cannot otherwise be ruled out! Any costs incurred will not be borne by the appliance manufacturer.


 **All Adora appliances must be mounted on the installation plate supplied. Only in this case is problem-free operation guaranteed. The appliances can be levelled by means of adjustable feet.**

 **The appliance actively balances unbalanced loads during spinning. To ensure problem-free operation, no soft, sound insulating underlay may be used.**

Room temperature

Permissible room temperature: 5 °C to 35 °C

4.4 Positioning

 **To prevent disturbing noise and vibration the appliance must not come into contact with the surrounding walls of its installation location. It is imperative to comply with the supplied installation instructions for positioning the appliance.**


- ▶ The appliance must stand level and stable. Check with a spirit level.
- ▶ The appliance must not wobble in case of a crosswise load.

Installation plate (W40653)

General condition

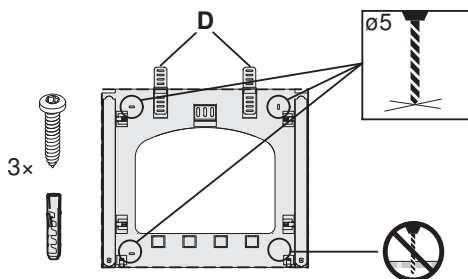
 **The installation plate is used as an installation aid and its use is obligatory. It can be fixed to the floor with double-sided adhesive tape or it can be screwed to the floor.**

Failure to observe said precautions can result in injury or in damage to the appliance or fittings!

 **If a room has underfloor heating the installation plate may only be adhered (fastening material is included in the scope of delivery).**

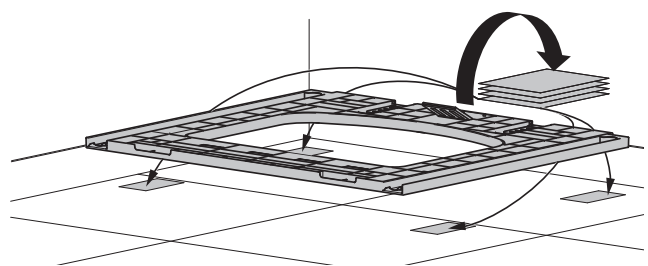
Failure to observe said precautions can result in injury or in damage to the appliance or fittings!

Without underfloor heating



- ▶ Fold out spacers **D**.
- ▶ Screw installation plate into place.

With underfloor heating



- ▶ Fold out spacers **D**.
- ▶ Adhere installation plate into place.



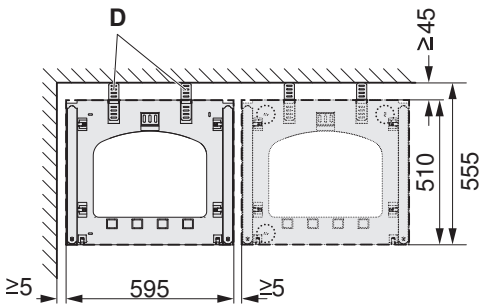
Free-standing position



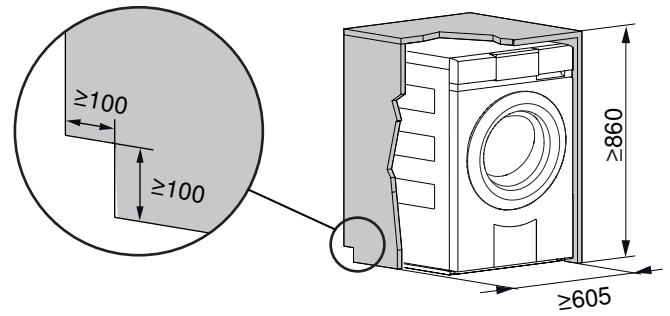
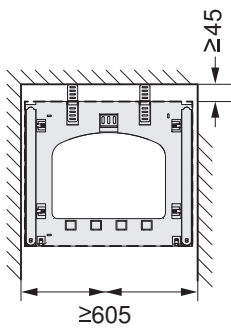
If a tumble dryer and a washing machine are positioned side by side, keep a distance of min. 5 mm between the installation plates and to the walls at the side and min. 45 mm to the back wall. The installation plates for the washing machine and tumble dryer are the same.



Dimensions 45 and 555 only apply if no plumbing fittings are to be installed behind the appliance.



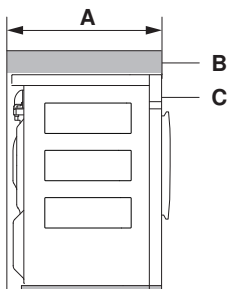
Positioning in a niche



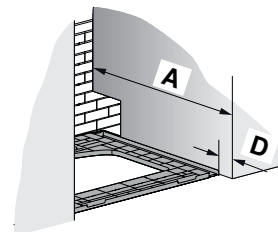
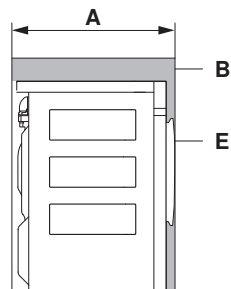
- ▶ Centre the installation plate in the niche.
- ▶ Niche width: ≥ 605 mm
- ▶ Distance to the back wall: ≥ 45 mm

- ▶ Cut-out for connections (left or right): $\geq 100 \times 100$ mm
- ▶ Niche height: ≥ 860 mm

Variant 1



Variant 2



Variant	Positioning	Niche depth A	Installation offset for installation plate D
1	Niche front B and appliance front C are flush	≥ 605 mm	50 mm
2	Niche front B appliance door E are flush	≥ 645 mm	83 mm

5 Tumble dryers

The following tumble dryers are condenser dryers with a heat pump. The process circuit of the heat pump dryer is completely closed. The hot humid air is cooled and condensed in the 1st heat exchanger and then re-heated in the 2nd heat exchanger.

The heat pump dryer has roughly half the energy consumption of conventional tumble dryers, a higher air flow rate and a lower drying temperature. This results in particularly gentle drying, especially suitable for heat-sensitive textiles such as synthetics and blended fabric.

5.1 Electrical connection data

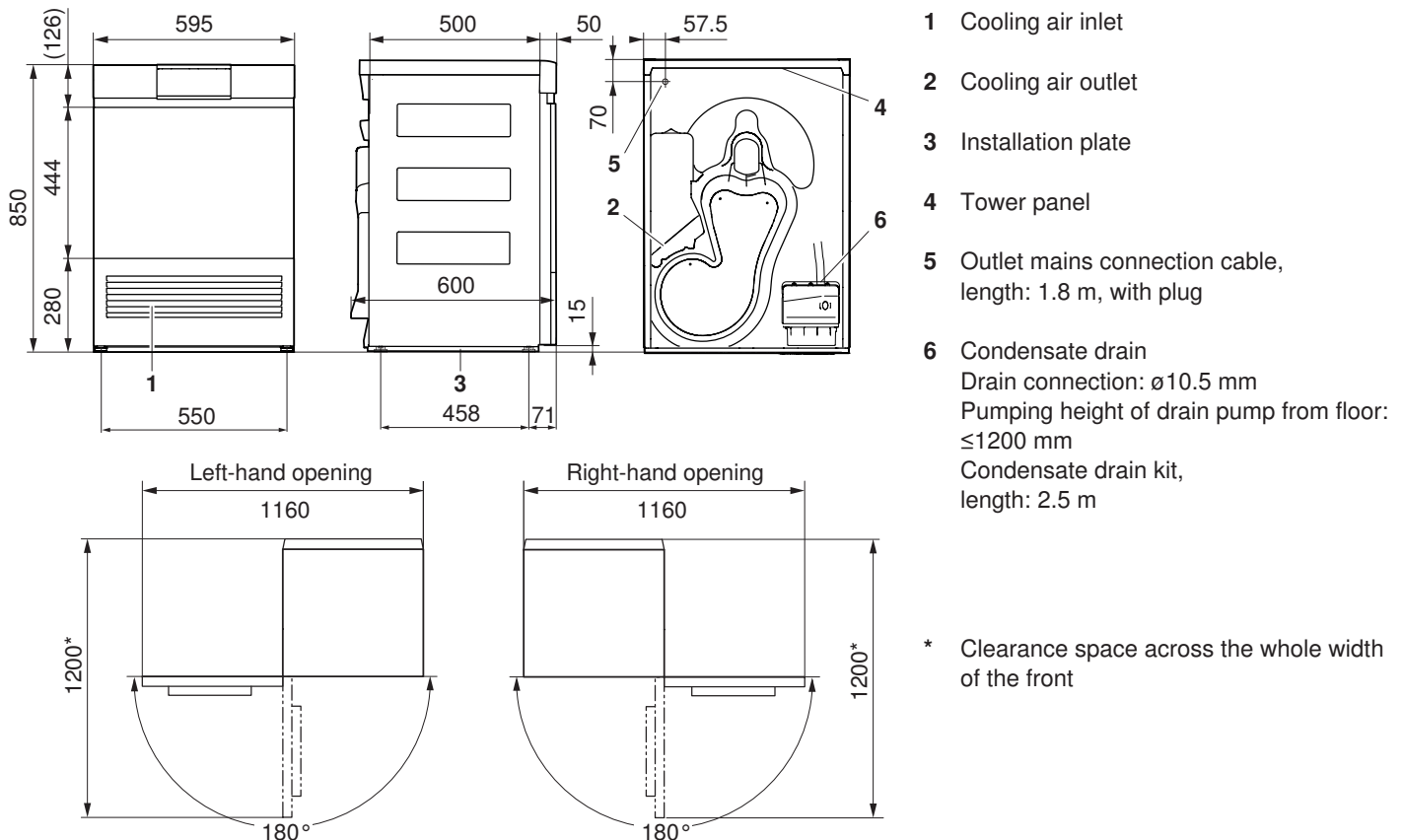
Appliance	Mains connection	Rated load	Fuse	Mains connection cable
AdoraDry V6000	220–240 V~ 50 Hz	1050 W	10 A	1.8 m, with plug
AdoraDry V2000	220–240 V~ 50 Hz	750 W	10 A	1.8 m, with plug

5.2 Dimensions



The stated dimensions do not include distances from walls. To prevent disturbing noise and vibration the appliances must not come into contact with the surrounding walls of their installation location.

AdoraDry V2000, V6000





5.3 Installation

General condition



To prevent an impermissible rise in temperature and humidity, the room must be min. 20 m³ in size and sufficiently large inlet and outlet openings to an adjacent room or to the outside must be available (open windows, ventilation grilles or slots in the door, ventilation systems). On the other hand there is the possibility of using the waste heat. Normal bathroom extractor fans are not adequate for optimal room ventilation. They switch off with the light after a preset after-running time.

Through the heat recovery of the heat pump dryer, heat dissipation is greatly reduced, resulting in the imposition of far fewer demands on the installation room. Heat pump dryers affect their environment like a heater blower with a heat output of approx. 700 W.



All Adora appliances must be mounted on the installation plate supplied. Only in this case is problem-free operation guaranteed. The appliances can be levelled by means of adjustable feet.

The room must be kept free of dust and fluff.

Room temperature

Permissible room temperature: 5 °C to 35 °C

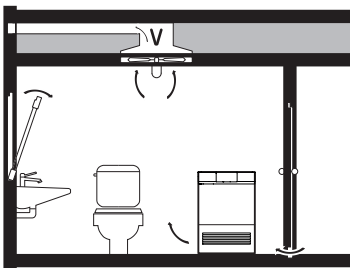


The room temperature must be kept between the range of 15–25 °C to ensure the economic running of the appliance. A room temperature of over 35 °C is critical and extends the duration of the individual programmes. High temperatures can also result in error messages and impair the service life of the appliance.

Ventilation

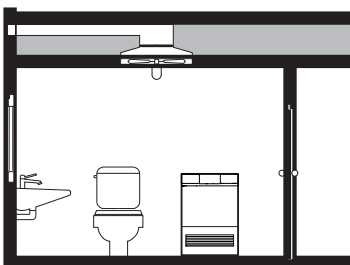
As a general rule, rooms containing heat pump dryers should be ventilated as these produce a small amount of moisture. For each heat pump dryer, the passage of exhaust and intake air must be guaranteed. EXHAUST AIR requires INTAKE AIR. At least the same amount of air must be supplied to as is being extracted from the room.

Ventilation concepts



Installation room volume $< 20 \text{ m}^3$:

- ▶ There must be air inlet and outlet openings (open window, ventilation grille or slits in the door, ventilation system) to the adjacent room or to the outside.
- ▶ Operation is trouble-free with an air circulation rate from 15 m³/h.



Installation room volume $\ge 20 \text{ m}^3$, room kept closed:

- ▶ Condensation may form on thermal bridges!
- ▶ The room must be aired (by opening the door to or a window in the room) between consecutive drying programmes!

5.4 Positioning

To prevent disturbing noise and vibration the appliance must not come into contact with the surrounding walls of its installation location. It is imperative to comply with the supplied installation instructions for positioning the appliance.

- ▶ The appliance must stand level and stable. Check with a spirit level.
- ▶ The appliance must not wobble in case of a crosswise load.

Installation plate (W40653)

General condition

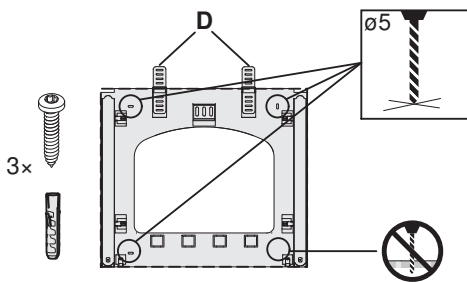
The installation plate is used as an installation aid and its use is obligatory. It can be fixed to the floor with double-sided adhesive tape or it can be screwed to the floor.

Failure to observe said precautions can result in injury or in damage to the appliance or fittings!

If a room has underfloor heating the installation plate may only be adhered (fastening material is included in the scope of delivery).

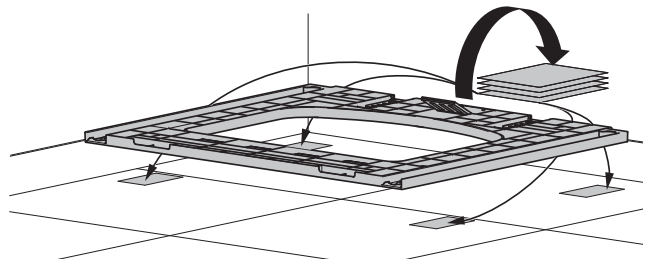
Failure to observe said precautions can result in injury or in damage to the appliance or fittings!

Without underfloor heating



- ▶ Fold out spacers **D**.
- ▶ Screw installation plate into place.

With underfloor heating

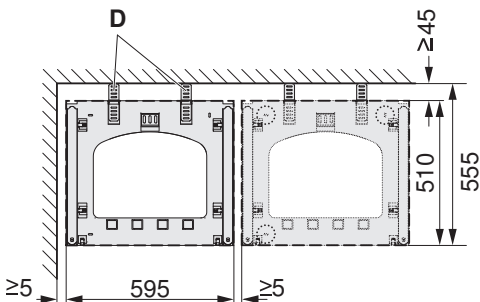


- ▶ Fold out spacers **D**.
- ▶ Adhere installation plate into place.

Free-standing position

If a tumble dryer and a washing machine are positioned side by side, keep a distance of min. 5 mm between the installation plates and to the walls at the side and min. 45 mm to the back wall. The installation plates for the washing machine and tumble dryer are the same.

Dimensions 45 and 555 only apply if no plumbing fittings are to be installed behind the appliance.



Positioning in a niche



If a tumble dryer is installed in a niche, a 130° door stop must be provided (article no. W54086).



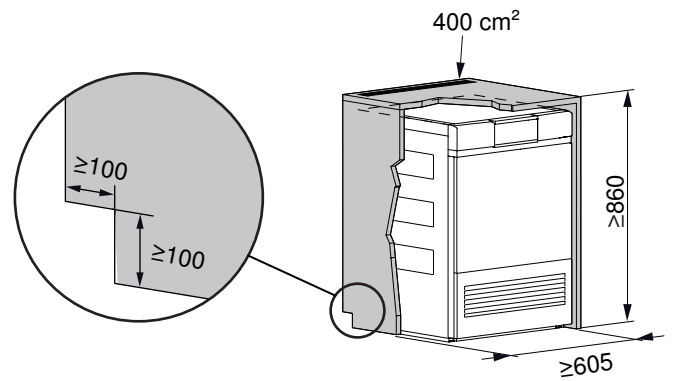
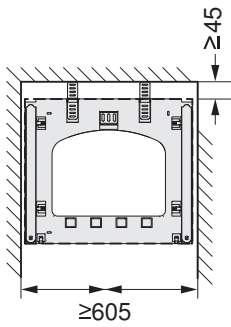
If the niche is fitted with a door, it must be ensured that the door is left open for the duration of the process. The niche door and the appliance door must be hinged on the same side.



The condensed water hose must not be crushed between the rear of the appliance and the building wall.



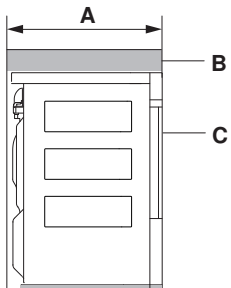
The heat given off from the rear of the appliance must be conducted out of the niche. By means of 2 ventilation grilles P33002 (see page 28) or a ventilation cross-section of min. 400 cm² in the niche cover ensure there is a supply of fresh air via the connection opening.



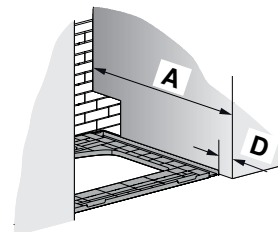
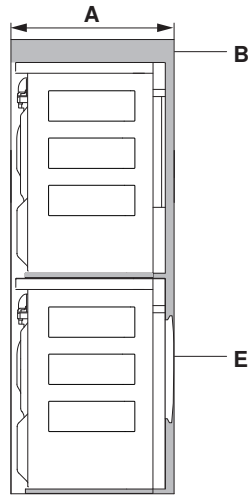
- ▶ Centre the installation plate in the niche.
- ▶ Niche width: ≥605 mm
- ▶ Distance to the back wall: ≥45 mm

- ▶ Cut-out for connections (left or right): ≥100 × 100 mm
- ▶ Niche height: ≥860 mm
- ▶ Ventilation cross-section: ≥400 cm²

Variant 1



Variant 2



Variant	Positioning	Niche depth A	Installation offset for installation plate D
1	Niche front B and tumble dryer front C are flush	≥605 mm	50 mm
2	Niche front B and washing machine door E are flush	≥645 mm	83 mm

6 Washer-dryer towers



For safety reasons, tumble dryers standing upon washing machines are never to be mounted and operated without the associated installation plate.

Disconnection points must be provided for the water supply and electrical connection, which must be capable of being actuated without moving the appliances.

6.1 Installation

Washing machines

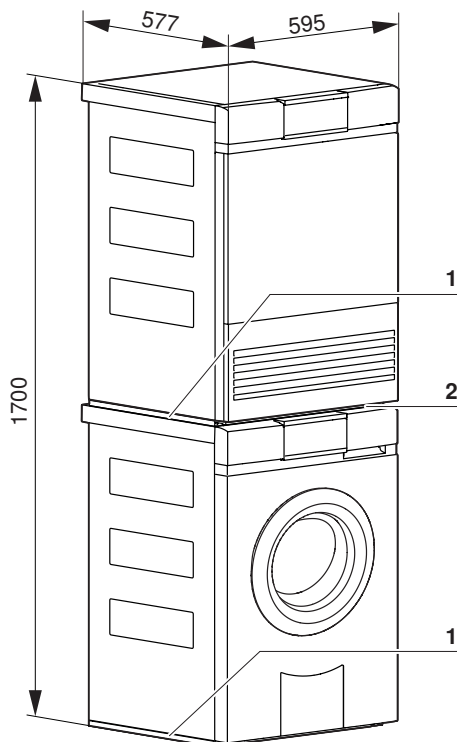
Install the washing machine as per the section on Installation (see page 12).

Tumble dryers

Install the tumble dryer as per the section on Installation (see page 15).

6.2 Positioning

Free-standing position



- 1 Installation plate
- 2 Tower panel (when delivered, attached to the cover plate at the back of the tumble dryer)



Positioning in a niche



If a tumble dryer is installed in a niche, a 130° door stop must be provided (article no. W54086).



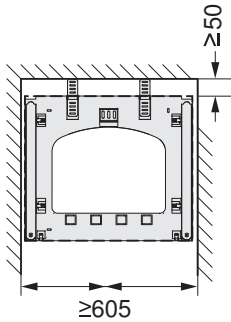
If the niche is fitted with a door, it must be ensured that the door is left open for the duration of the process. The niche door and the appliance door must be hinged on the same side.



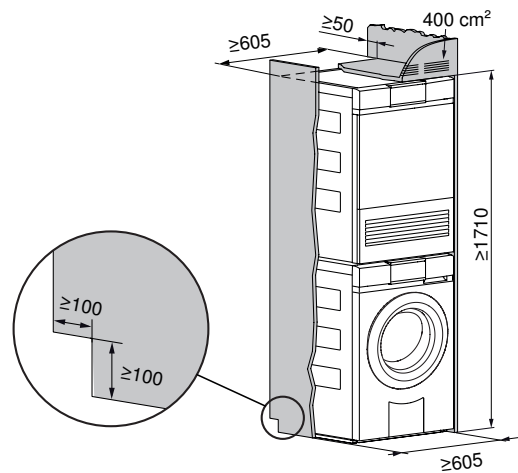
The condensed water hose must not be crushed between the rear of the appliance and the building wall.



The heat given off from the rear of the appliance must be conducted out of the niche. By means of 2 ventilation grilles P33002 or a ventilation cross-section of min. 400 cm² in the niche cover ensure there is a supply of fresh air via the connection opening.

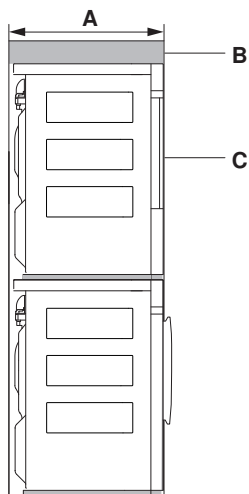


- ▶ Centre the installation plate in the niche.
- ▶ Niche width: ≥605 mm
- ▶ Distance to the back wall: ≥50 mm

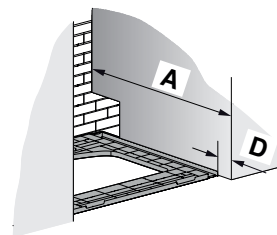
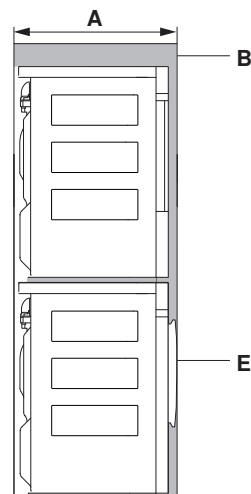


- ▶ Cut-out for connections (left or right): ≥100 × 100 mm
- ▶ Niche height: ≥1710 mm
- ▶ Ventilation cross-section: ≥400 cm²

Variant 1



Variant 2



Variant	Positioning	Niche depth A	Installation offset for installation plate D
1	Niche front B and tumble dryer door C are flush	≥605 mm	50 mm
2	Niche front B and washing machine door E are flush	≥645 mm	83 mm

7 Convenient storage drawer



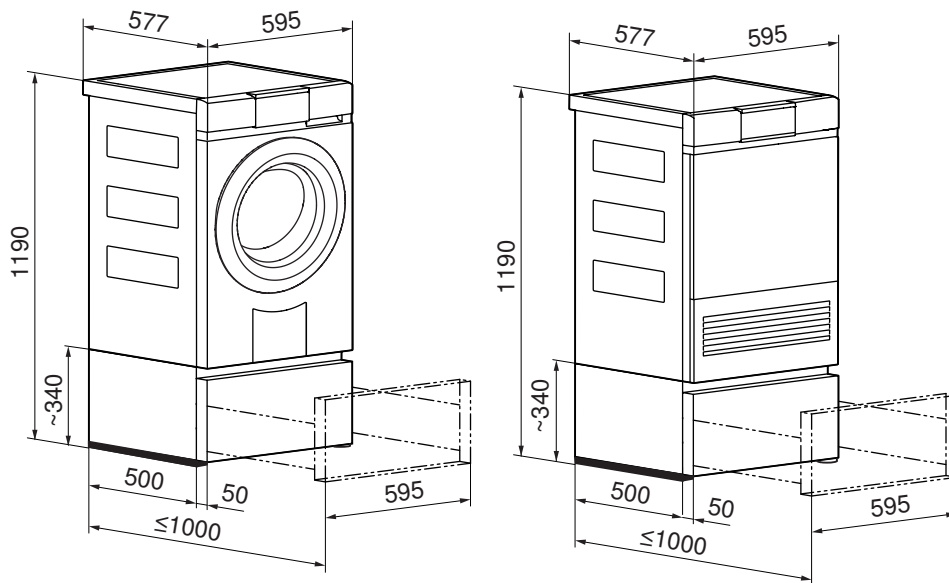
Do not stand a washer-dryer tower on a convenient storage drawer.

An Adora convenient storage drawer – by raising the height of the tumble dryer or washing machine – makes for comfortable use of the appliance. The drawer can also be used for storing washing detergent, accessories, etc.

7.1 Dimensions



The stated dimensions do not include distances from walls. To prevent disturbing noise and vibration the appliances must not come into contact with the surrounding walls of their installation location.



Only safe from tipping over when drawer fully loaded (max. load 25 kg) if installation plate is in place and secured with screws.

For adhered installation plates and installation on an uneven base, the maximum load guaranteed is only up to 8 kg.

8 Textile care system

8.1 Electrical connection data

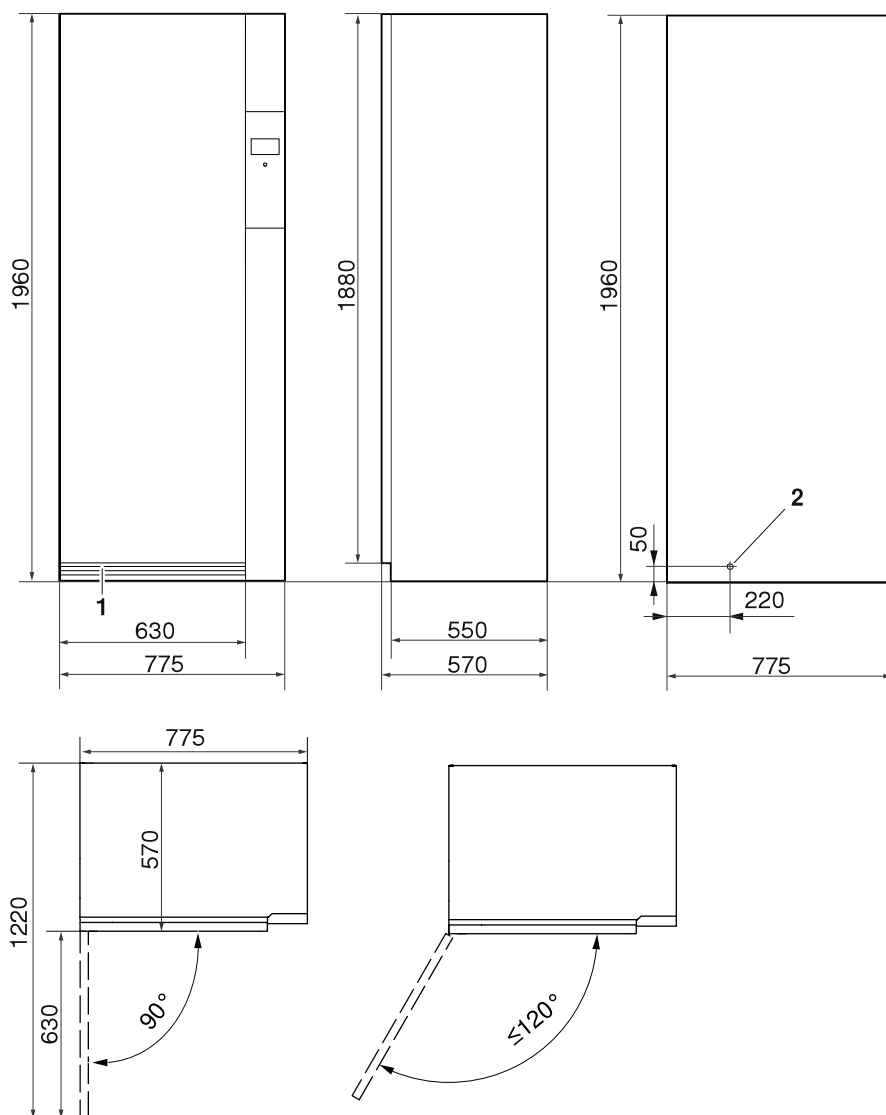
Appliance	Mains connection	Rated load	Fuse	Mains connection cable
RefreshButler V6000	220–240 V~ 50 Hz	1200 W	10 A	2.2 m, with plug

8.2 Dimensions



The stated dimensions do not include distances from walls. To prevent disturbing noise and vibration the appliances must not come into contact with the surrounding walls of their installation location.

RefreshButler V6000



- 1 Cooling air inlet
- 2 Outlet mains connection cable, length: 2.2 m, with plug

8.3 Installation

General condition



To prevent an impermissible rise in temperature and humidity, the room must be min. 20 m³ in size and sufficiently large inlet and outlet openings to an adjacent room or to the outside must be available (open windows, ventilation grilles or slots in the door, ventilation systems). On the other hand there is the possibility of using the waste heat. Normal bathroom extractor fans are not adequate for optimal room ventilation. They switch off with the light after a preset after-running time.

Through the heat recovery of the heat pump dryer, heat dissipation is greatly reduced, resulting in the imposition of far fewer demands on the installation room. Heat pump dryers affect their environment like a heater blower with a heat output of approx. 700 W. The appliance can be levelled by means of adjustable feet. The room must be kept free of dust and fluff.

Ventilation

As a general rule, rooms containing a textile care appliance must be ventilated as these produce some humidity. For each heat pump dryer, the passage of exhaust and intake air must be guaranteed. EXHAUST AIR requires INTAKE AIR. At least the same amount of air must be supplied to as is being extracted from the room. If the room is kept closed, the installation room volume must be min. 20 m³.

Room temperature

Permissible room temperature: 5 °C to 30 °C



The room temperature should be kept as low as possible to ensure the economic running of the appliance. A room temperature of over 30 °C is critical and extends the duration of the individual programmes. High temperatures can also result in error messages and impair the service life of the appliance.

8.4 Positioning



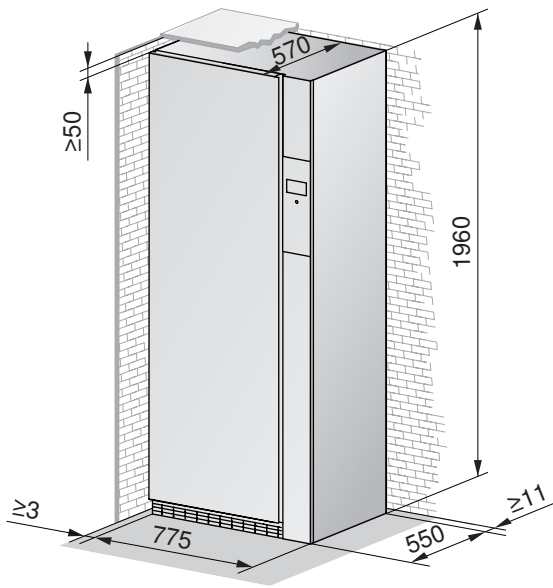
To prevent disturbing noise and vibration the appliance must not come into contact with the surrounding walls of its installation location. It is imperative to comply with the supplied installation instructions for positioning the appliance.

- ▶ The appliance must stand level and stable. Check with a spirit level.
- ▶ The appliance must not wobble in case of a crosswise load.

Free-standing position

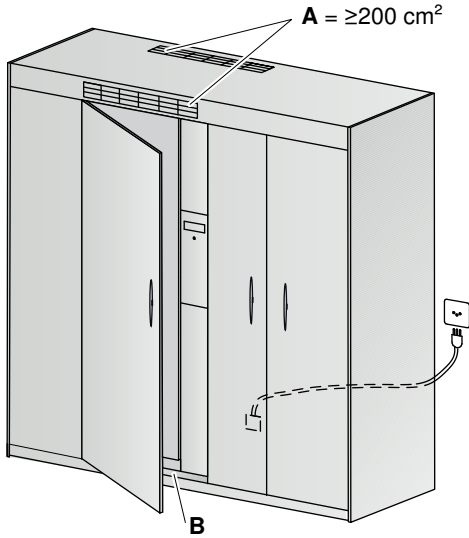


When positioning a RefreshButler so that it is free-standing, a distance of min. 3 mm must be kept to the walls to the left and right.

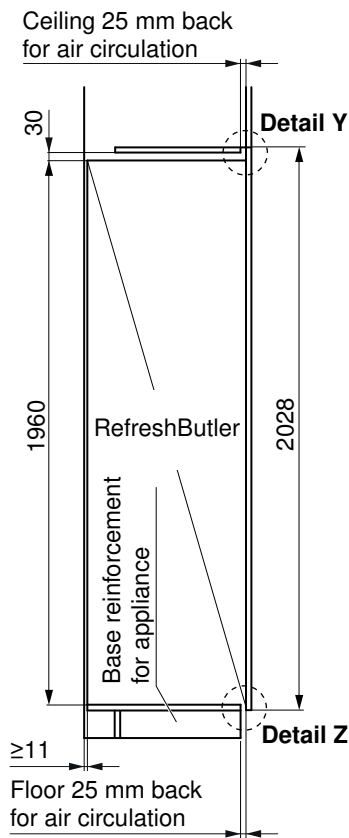
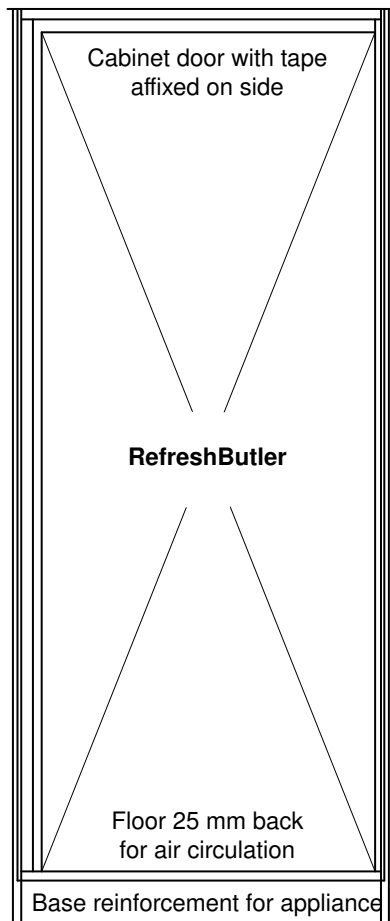
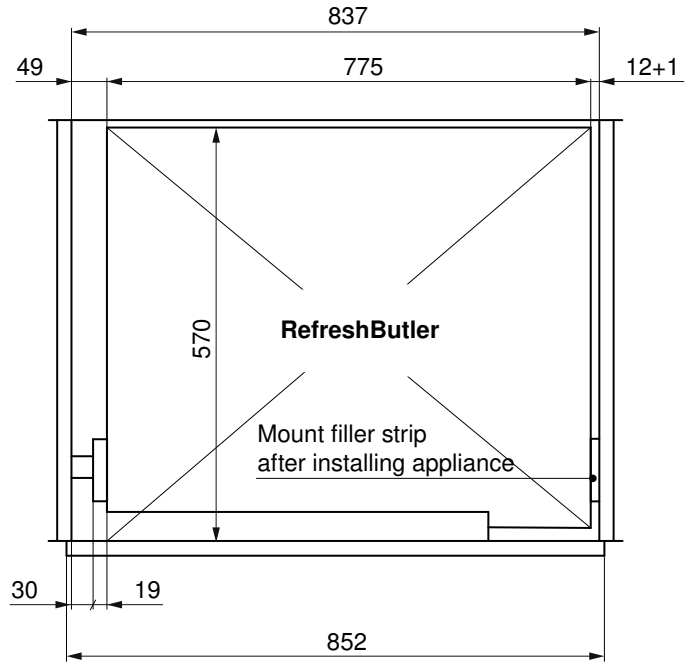


Positioning in a niche (without decor panel)

The door extends across entire width of opening. There is no connection to the RefreshButler door.

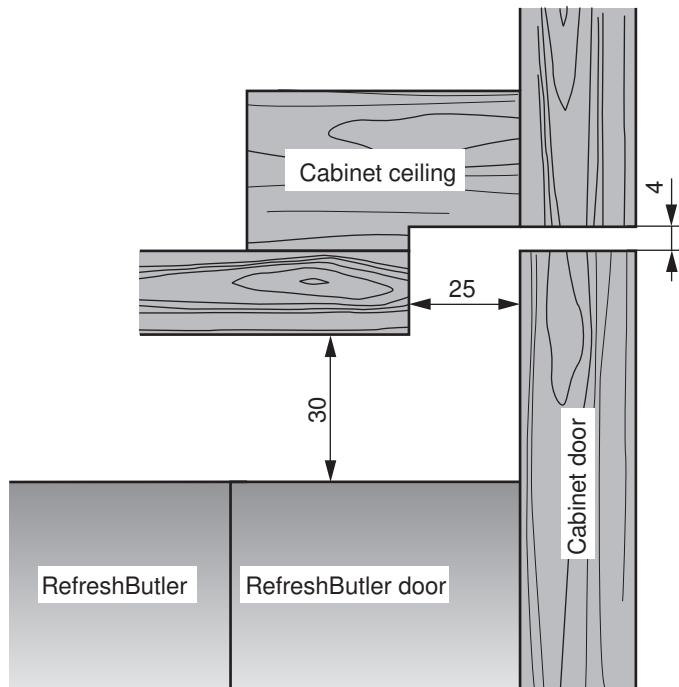


- A** Ventilation slit on the top at the back or above the cabinet door
- B** Load-bearing capacity of cabinet floor: min. 170 kg

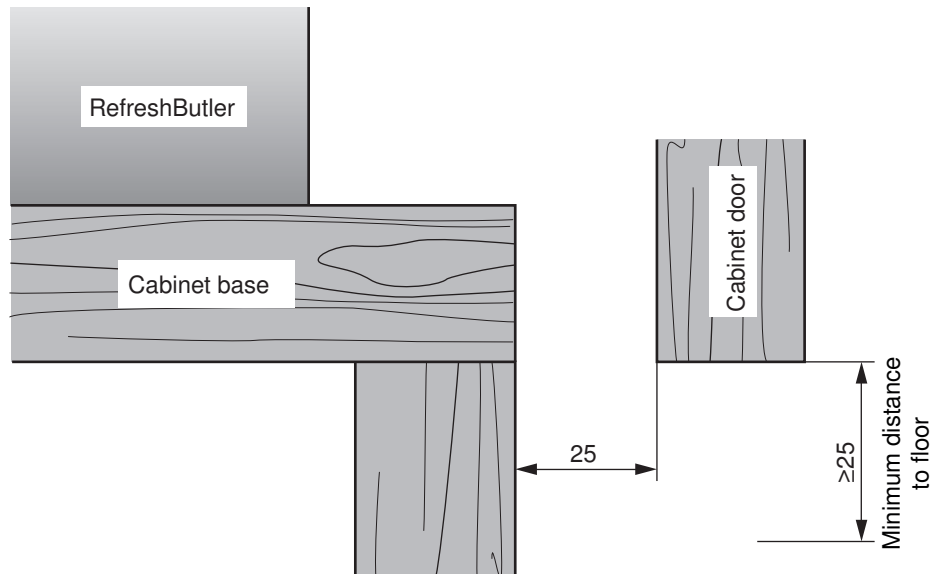




Detail Y



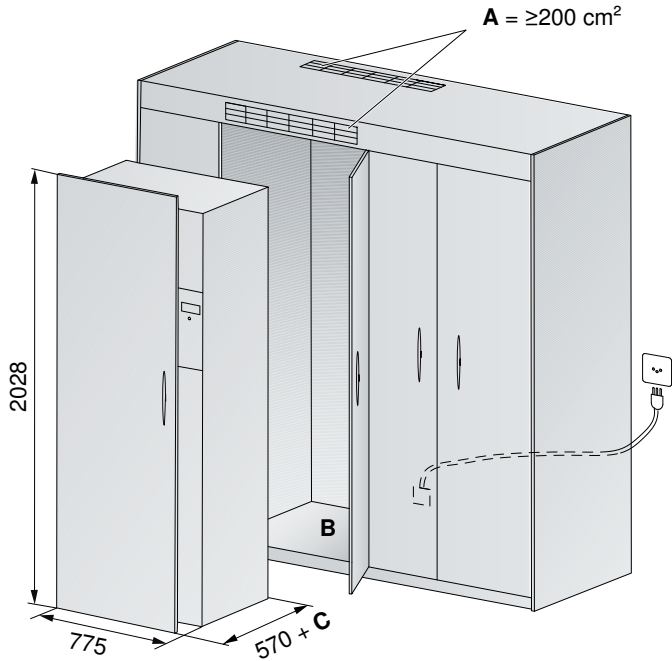
Detail Z



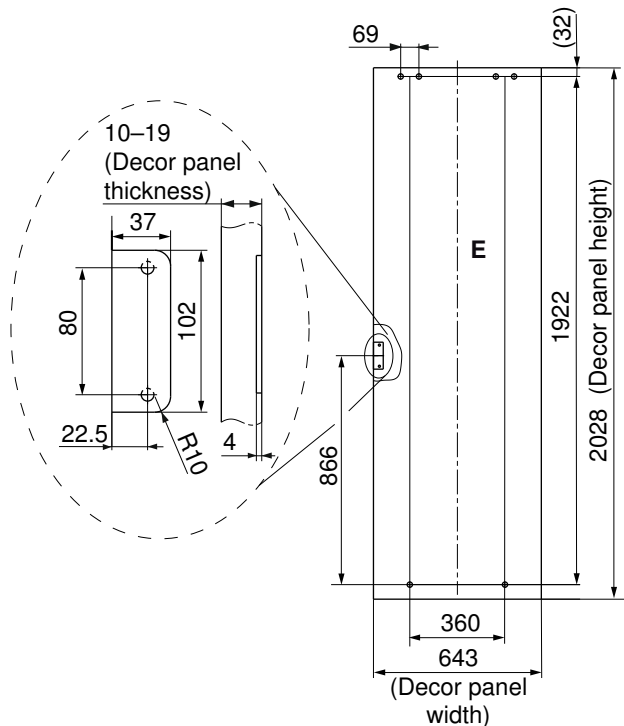
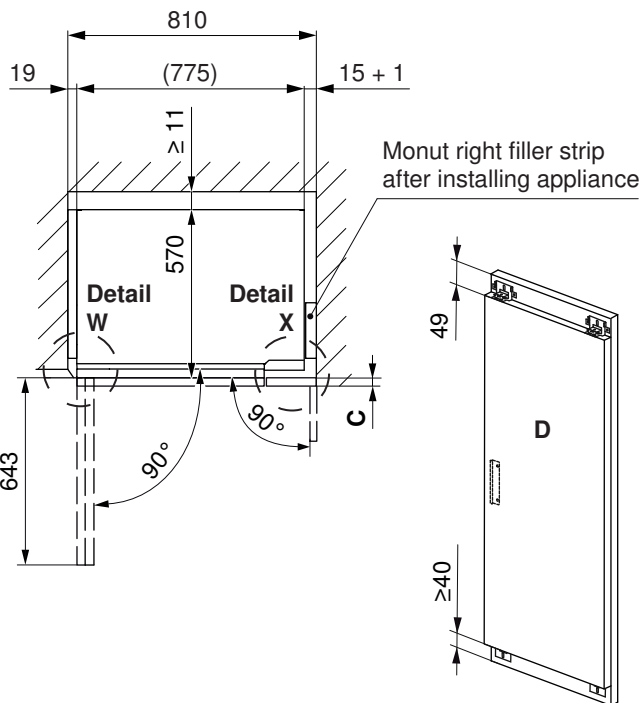
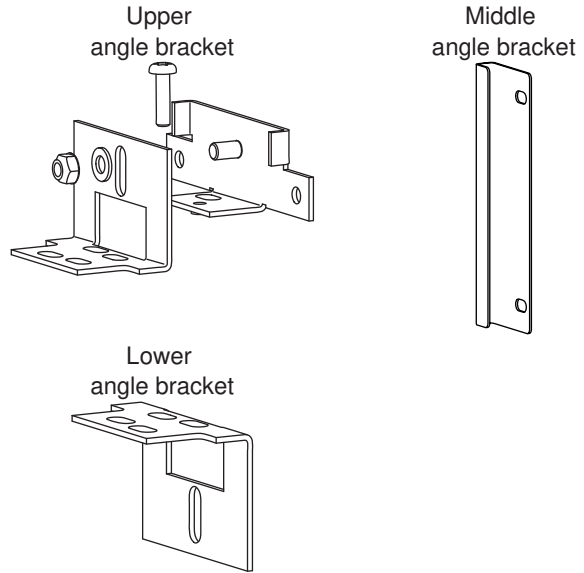
Positioning in a niche (with decor panel)



The decor panel is fastened to the RefreshButler door.



Angle bracket *

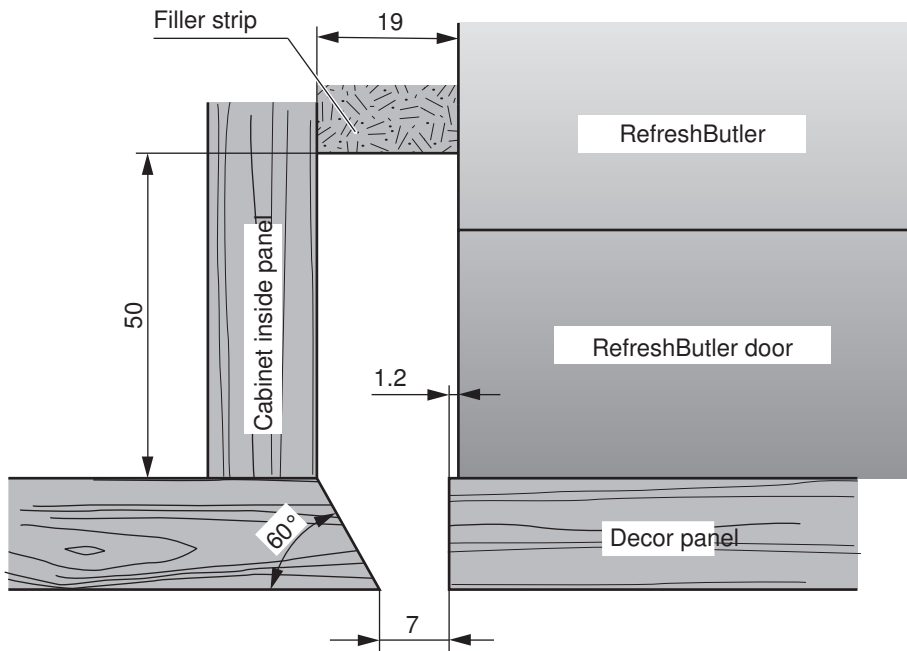


- A** Ventilation slit on the top at the back or above the cabinet door
- B** Load-bearing capacity of cabinet floor: min. 170 kg + weight of decor panel
- C** Thickness of decor panel

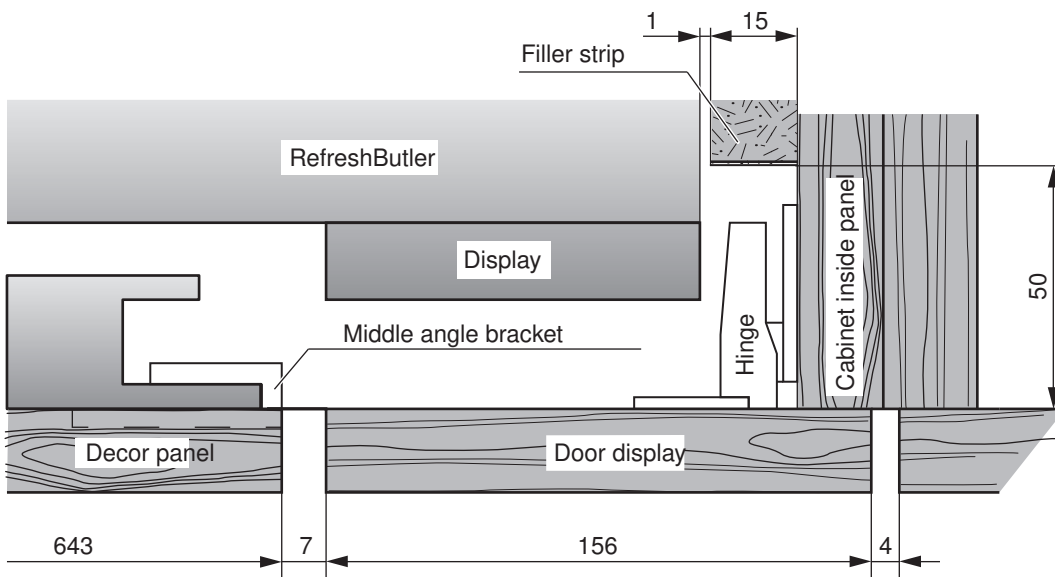
- D** RefreshButler door with decor panel and 5 angle brackets*
- Maximum permissible weight of decor panel: 35 kg
- E** Installation drawing for decor panel

* included in the scope of delivery (see installation set W56295)

Detail W



Detail X





9 Accessories

9.1 Washing machines

Designation	Article no.	Model designation
Convenient storage drawer	W31357	AdoraWash V4000, V6000
4 m drain hose set, can be shortened: max.permissible drain height ≤ water outlet out of appliance ~80 cm.	W33543	AdoraWash V2000, V6000
Hose support (included in the 4 m drain hose set)	80868039	AdoraWash V2000, V6000
Long hose set (3 m Aquastop hose and 4 m drain hose)	1012989	AdoraWash V2000, V6000

9.2 Tumble dryers

Designation	Article no.	Model designation
Convenient storage drawer	W31357	AdoraDry V2000, V6000
Ventilation grille	P33002	AdoraDry V2000, V6000
Fixing discs (set of 2 discs)	81131132	AdoraDry V2000, V6000
Combi drainage set	W55969	AdoraDry V2000, V6000
Condensate drain kit (included in the scope of delivery)	W56298	AdoraDry V2000, V6000
Non-return valve set	W50028	AdoraDry V2000, V6000
Drying basket set	W55884	AdoraDry V2000, V6000
Tower panel (included in the scope of delivery)	W55687	AdoraDry V2000, V6000
130° door stop for niche installation	W54086	AdoraDry V2000, V6000
Set containing connection for sink drain trap	W53070	AdoraDry V2000, V6000

9.3 Textile care system

Designation	Article no.	Model designation
Clothes hangers (5 supplied with appliance)	W54789	RefreshButler V6000
1 basket (included in the scope of delivery)	W56746	RefreshButler V6000
durgol swiss steamer descaler	B28006	RefreshButler V6000

10 V-ZUG-Home

10.1 Internet access



Internet access is required for use of V-ZUG-Home.

10.2 Scope of delivery

For appliances with V-ZUG-Home, the V-ZUG-Home module is integrated in the appliance and ready for operation. Models with a V-ZUG-Home module are connected to the home network via WLAN.

- Washing machines: 11021, 11023, 11025
- Tumble dryers: 12011–12014

10.3 Connecting to the home network



Establishing a connection between an appliance and a wireless network is described in the operating instructions for «V-ZUG-Home». These can be found at home.vzug.com.



Index

A

Adora convenient storage drawer	
Dimensions.....	20
Adora tumble dryers	
Dimensions.....	14
Adora washing machines	
Dimensions.....	11
AdoraDry tumble dryers	
Ventilation concepts	15

E

Electrical connections	
Fault current	5
General operating conditions.....	5
Residual current device (RCD).....	5
Explanation of terms.....	2

F

Fault current	5
---------------------	---

N

Notes	31
-------------	----

P

Plumbing in	
Concealed drain-trap.....	10
Washing machines	6
Positioning	12, 16, 23
Protection type.....	5
Protection type IP	5

R

RefreshButler	
Dimensions.....	21
Residual current device (RCD).....	5

S

Supplementary documents.....	2
Symbols used.....	2

T

Textile care system	
Accessories	28
Tumble dryers	
Accessories	28

U

Useful links	2
--------------------	---

V

Validity	4
Ventilation.....	15

W

Washing machines	
Accessories	28
Installation	12



11 Notes

CONTACT IN SWITZERLAND

V-ZUG Ltd
Industriestrasse 66
CH-6302 Zug/Switzerland
www.vzug.com

Service & Support International
Tel. +41 58 767 67 78
service-support@vzug.com

