

Installation instructions

Induction hob with integrated range hood
CombiCookTop V2000/V4000 I804



1148540-04

24/02/2023

 **The appliance should be installed by qualified personnel only. Each step must be carried out and checked in full in the order specified.**

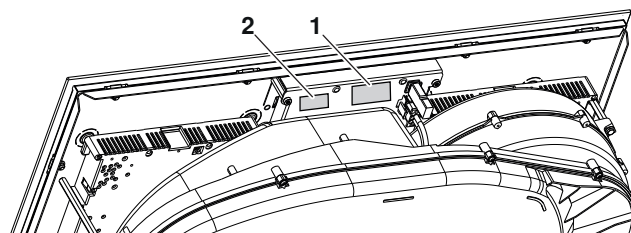
Validity

Model designation	Type	Model identifier
CombiCookTop V2000 I804	CCT2T-31095	CCT2T84MTLD
CombiCookTop V4000 I804	CCT4T-31096	CCT4T84ZFTOLD

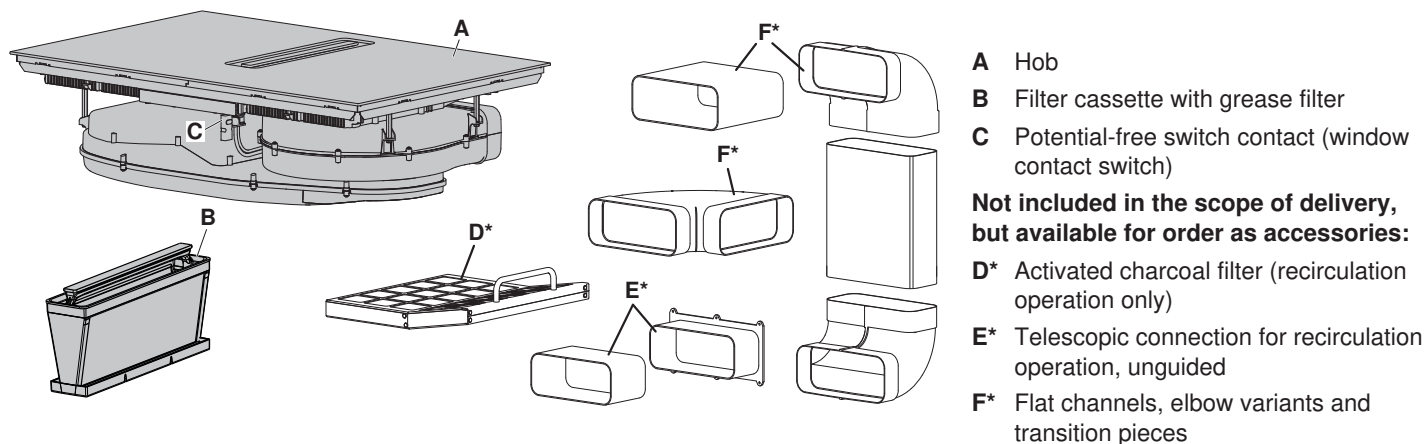
Identification plate

The identification plate **1** is located next to the connection plate **2**.


- ▶ Affix the second identification plate (supplied) in an accessible position behind the front of the fitted cabinet beneath the appliance.




Scope of delivery



General notes


 **If installing into a combustible material, the guidelines and standards for low-voltage installations and fire protection must be strictly observed.**

 **If other firing systems are being used at the same time (e.g. wood, gas, oil or coal fired heating appliances), safe operation is only possible providing a room negative pressure of 4 Pa (0.04 mbar) is not exceeded at the location of the appliance. Risk of toxic fumes! An adequate flow of fresh air must be guaranteed e.g. via non-closable openings in doors or windows and in combination with an air-intake/exhaust-air wall box or by other technical means.**

 **Efficient repairs can only be guaranteed if it is possible to disconnect the complete appliance at any time without causing any damage.**

Recirculation mode

 **An air outlet of $\geq 500 \text{ cm}^2$ at the exhaust duct of the range hood is recommended. During operation, the air outlet from the exhaust duct of the range hood must not be obstructed. This can be achieved through a shadow gap at the plinth panel or the use of a ventilation grille.**

 **Dedicated accessories that need to be fitted to operate the appliance in the recirculation mode: 1155757 long-life-Plus activated charcoal filter!**

Installation instructions

Induction hob with integrated range hood
CombiCookTop V2000/V4000 I804



1148540-04

24/02/2023

Extraction mode



The extracted air must not be fed into a chimney which is used for exhausting fumes from appliances burning gas or other fuels. Observe the local fire regulations.



The connection for the window contact is under mains voltage! Personal injury through electric shock! Disconnect the hob from the power supply before connecting the switching system. The connected load of the switching system may only be connected by a qualified electrician.



There is a danger of toxic fumes developing if the range hood is operated at the same time as an ambient air-dependent firing system!



Any constriction of the airflow will reduce extraction performance and increase operating noise.

Installation accessories supplied

Designation	Art. no.
Aluminium tape	H42067

Flush installation:

Designation	Art. no.
Cementing-in instructions	J004130
Installation kit consisting of sealing tape 5 × 8 × 2750 mm and spacer set H60330	H63283

Accessories

Flush installation:

Designation	Art. no.
Steel angle set, installation dimension 80	H63774
Instant adhesive for installation of the steel angle (50 ml)	B11657
Straight mixing nozzle	B11656
TREMCLEAN isopropyl alcohol (1000 ml)	1056609
Black silicone FA880 (310 ml)	B11555
Anthracite silicone FA880 (310 ml)	B11556
White silicone FA880 (310 ml)	1031313
Stone grey silicone FA880 (310 ml)	1031314
Marble smoothing agent AA320 (1000 ml)	B11557
Fugenboy (silicone finishing tool)	B75158

Electrical connection



Electrical connections must be carried out by qualified personnel in accordance with the guidelines and standards for low-voltage installations and the specifications of the local electricity supply companies. Refer to the identification plate for information on the required mains voltage and current type.

A plug-in appliance may only be connected to a socket outlet with earthing contact, installed according to specifications. An all-pole mains isolating device with 3 mm contact opening should be provided in the house wiring system. Switches, plug and socket devices, circuit breakers and fusible cut-outs which are accessible after installation and which have all-poles switching are permissible as isolating devices. Effective earthing and separately installed neutral and earth conductors ensure safe and fault-free operation. After installation, live parts and cables with basic insulation must not be accessible. Check old installations.

- If the hobs are used at an altitude of over 2,000 metres, a reduced performance must be expected.

Installation instructions

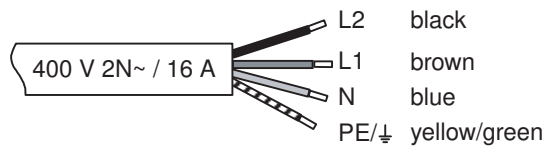
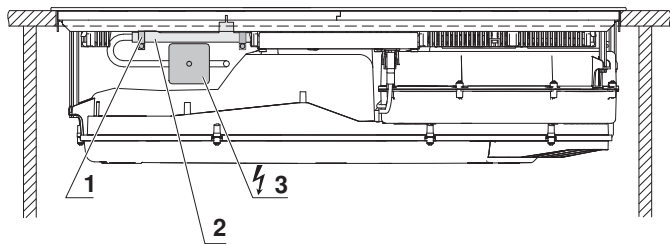
Induction hob with integrated range hood
CombiCookTop V2000/V4000 I804



1148540-04

24/02/2023

The appliance is equipped with a connection cable which must be connected to an on-site junction box.



1 Clamp, 2 Installation pipe, 3 Junction box

Error message U400



Faulty connection:

A pole conductor has been connected to the connection terminal for neutral conductors.

Quickly disconnect the appliance from the mains!

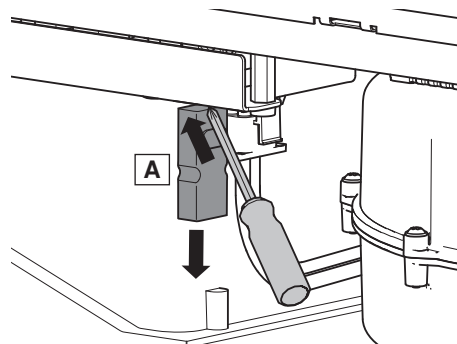
Connecting to window contact



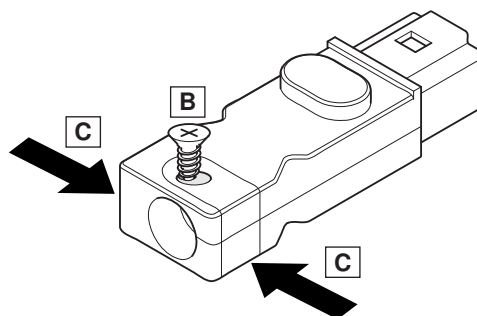
The switching system must be equipped with a potential-free closing contact (NO) suitable for max. 230 V, 1 A. The range hood is not in operation when the switch state is open. Only use tested wireless switching systems (e.g. window contact switches, vacuum monitors) and have them approved by an authorised specialist (approved chimney sweep). The switching system must be suitable for operation with a BLDC motor. The relevant switching system documentation is required to ensure safe connection and operation.

The window contact plug **A** must not be removed if the potential-free closing contact is not required.

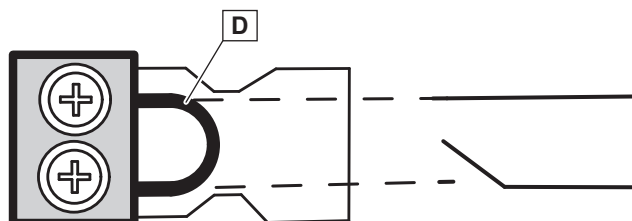
- ▶ Release the lug and pull out the plug.



- ▶ Loosen screw **B** of the strain relief and unlock the housing on both sides **C**.
- ▶ Open the housing.



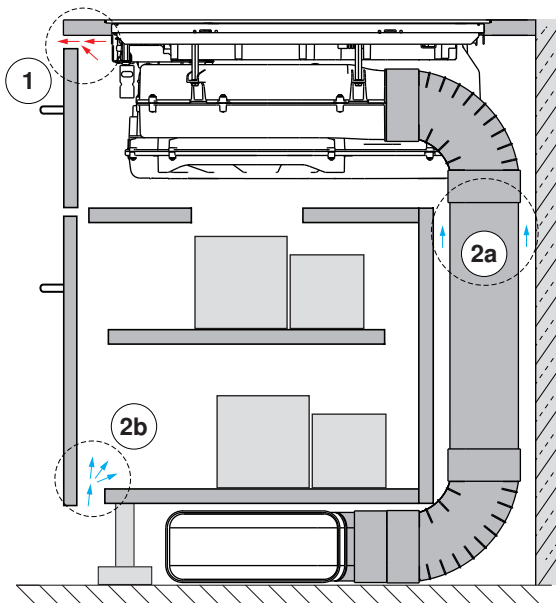
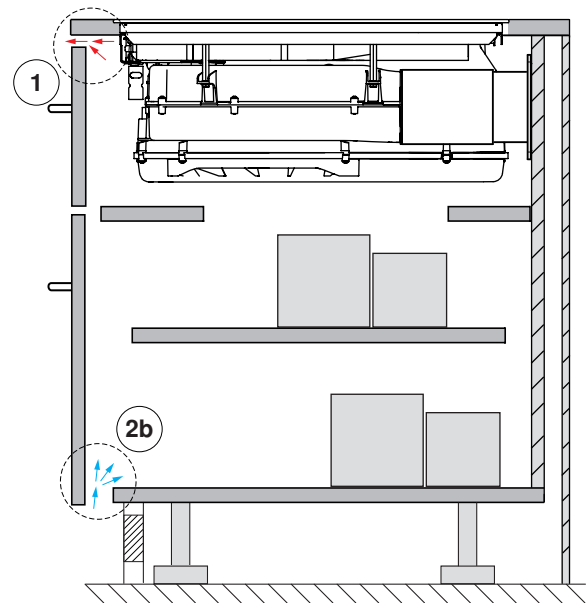
- ▶ Replace jumper **D** with the connected load of the switching system.
- ▶ Close the housing.
- ▶ Tighten up the screw of the strain relief again.
- ▶ Put the plug back in.



**Ventilation of the hob**

For installation of hobs with integrated range hood, the following minimum requirements apply:

1. The hot air exhaust should be provided by a ventilation slit of $\geq 2 \text{ mm}$ at the front.
2. Not only exhaust air but also replacement air in the cabinet should be taken into account. There are different ways to do this, including :
 - a) The rear panel of the base unit must be open around the work surface cut-out to guarantee continuous air circulation through the ventilation slits. The air must be drawn in from outside the cabinet and be able to circulate freely from inside the cabinet to the hob. The lower plinth must not be hermetically sealed. This can be achieved through a shadow gap at the plinth panel or through the use of a ventilation grille.
 - b) Alternatively, a concealed fresh air supply can ensure air circulation inside the cabinet. In order that enough cold air can be drawn in, there must be a continuous circulation of fresh air that extends outside the cabinet. The lower drawer panel should therefore not hermetically seal the cabinet.

Extraction or recirculation operation with flat channel system**Recirculation operation without flat channel system**

For recirculation operation without flat channel system, the exhaust air from the range hood and the ventilation (supply air for hob) must not mix in this installation variant. These areas must be kept separate (see supply air option 2b above)!

Inadequate ventilation will affect the performance of the appliance. Ventilation slit should extend across the entire width where possible.

Installation instructions


Induction hob with integrated range hood
CombiCookTop V2000/V4000 I804

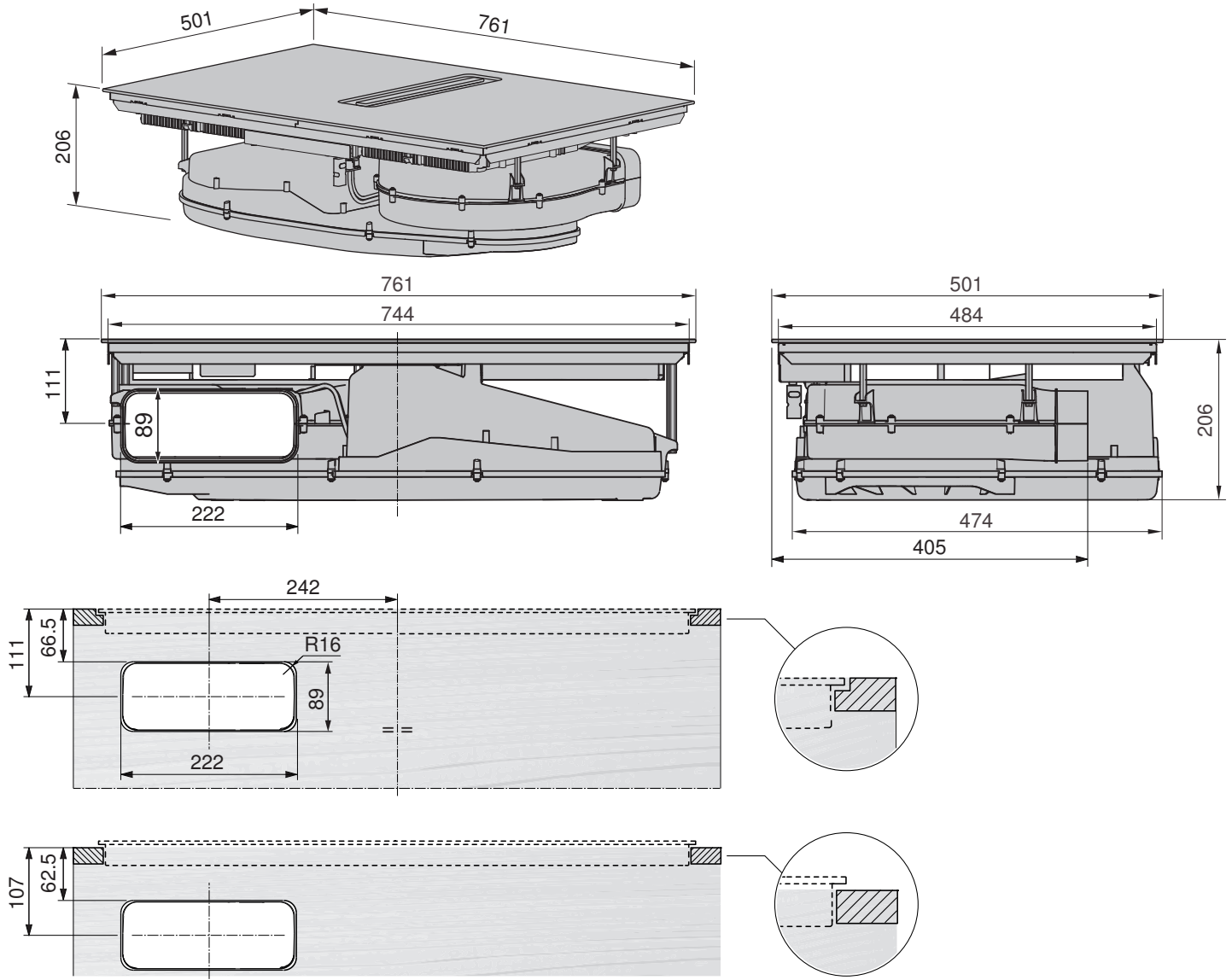


1148540-04

24/02/2023

Dimensions

 All plastering, plasterboarding, wall papering and painting work is to be carried out prior to installing the appliance. Ensure that the material is sufficiently stable. For the recirculation mode, ensure sufficient ventilation so that moisture can escape. Plan in suitable material/wood.



Installation instructions

Induction hob with integrated range hood
CombiCookTop V2000/V4000 I804



1148540-04

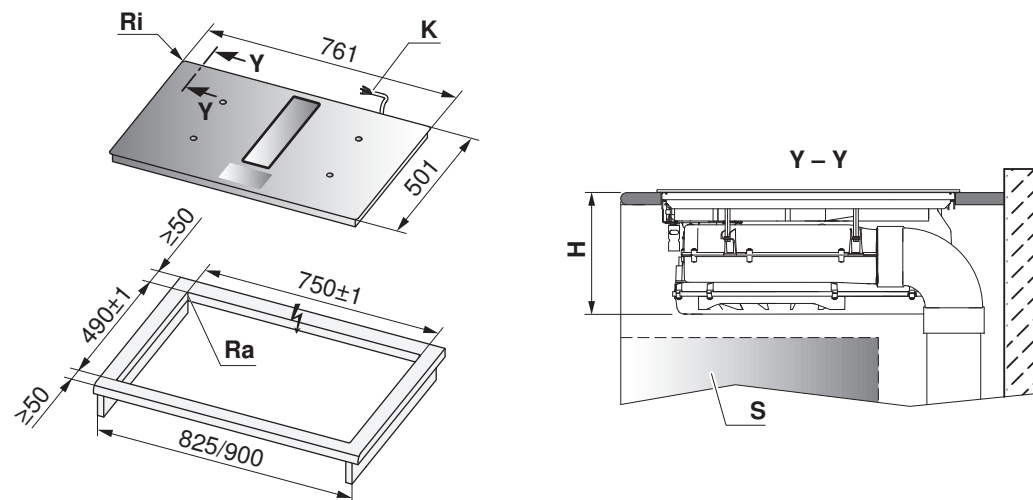
24/02/2023

General information about installation

- The worktop must be flat in order that it is sufficiently sealed against the ingress of liquids.

Surface-mounted installation

The layout of the hob to be fitted may differ from the hob illustrated!



Model designation	H	Corner radius Ra/Ri
CombiCookTop V2000/V4000 I804	202 mm	5/2.0 mm

H Dimension from the top of the work surface to the underside of the hob

S Drawer

K Cable length 170 cm

Ri Corner radii of appliance

Ra Outer corner radii of cut-out



Ensure access from below for service and maintenance work across the entire width of the cabinet. Where an intermediate base is to be provided between the drawer and the appliance, it must be removable from below.

Installation

- ▶ Create an accurate installation cut-out.
- ▶ Carefully put the appliance in the installation cut-out and press against the worktop with sufficient overlap.



Access to the appliance from below via the entire cut-out area must be guaranteed. For servicing purposes, the induction generator can be removed from below with the mounting plate. It must be possible to unscrew the contact-proof covers from below.

Installation instructions

Induction hob with integrated range hood
CombiCookTop V2000/V4000 I804

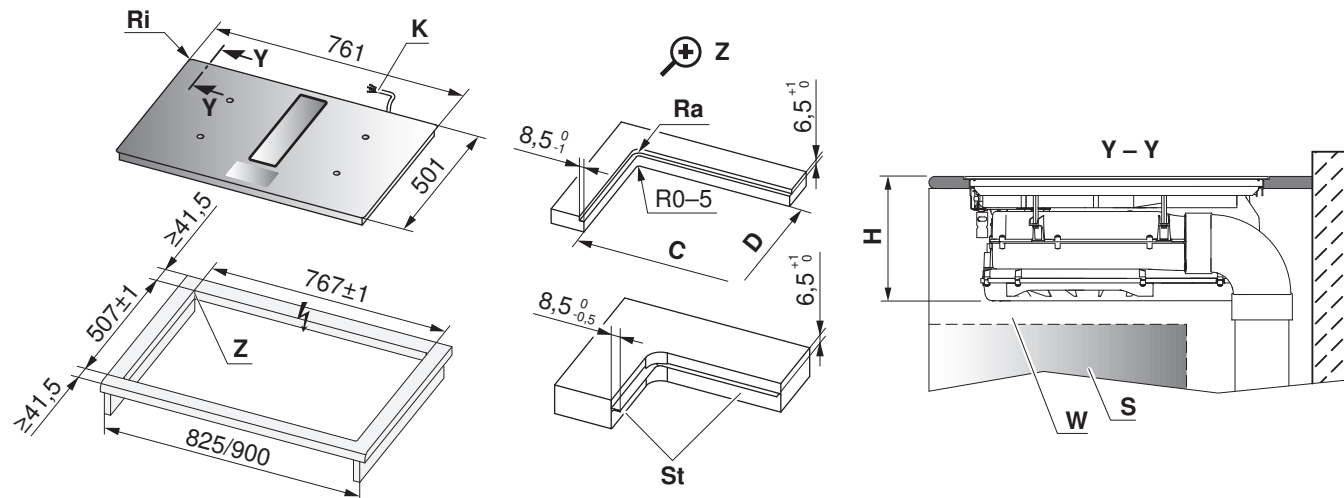


1148540-04

24/02/2023


Flush installation

The layout of the hob to be fitted may differ from the hob illustrated!




Model designation	C/D	H	Corner radius Ra/Ri
CombiCookTop V2000/V4000 I804	750/490	206 mm	5/2.0 mm

- H** Dimension from the top of the work surface to the underside of the hob
St Steel angle bonded or screw mounted
S Drawer
W Side panel
K Cable length 170 cm
Ri Corner radii of appliance
Ra Outer corner radii of cut-out

 **Ensure access from below for service and maintenance work across the entire width of the cabinet. Where an intermediate base is to be provided between the drawer and the appliance, it must be removable from below.**

Installation

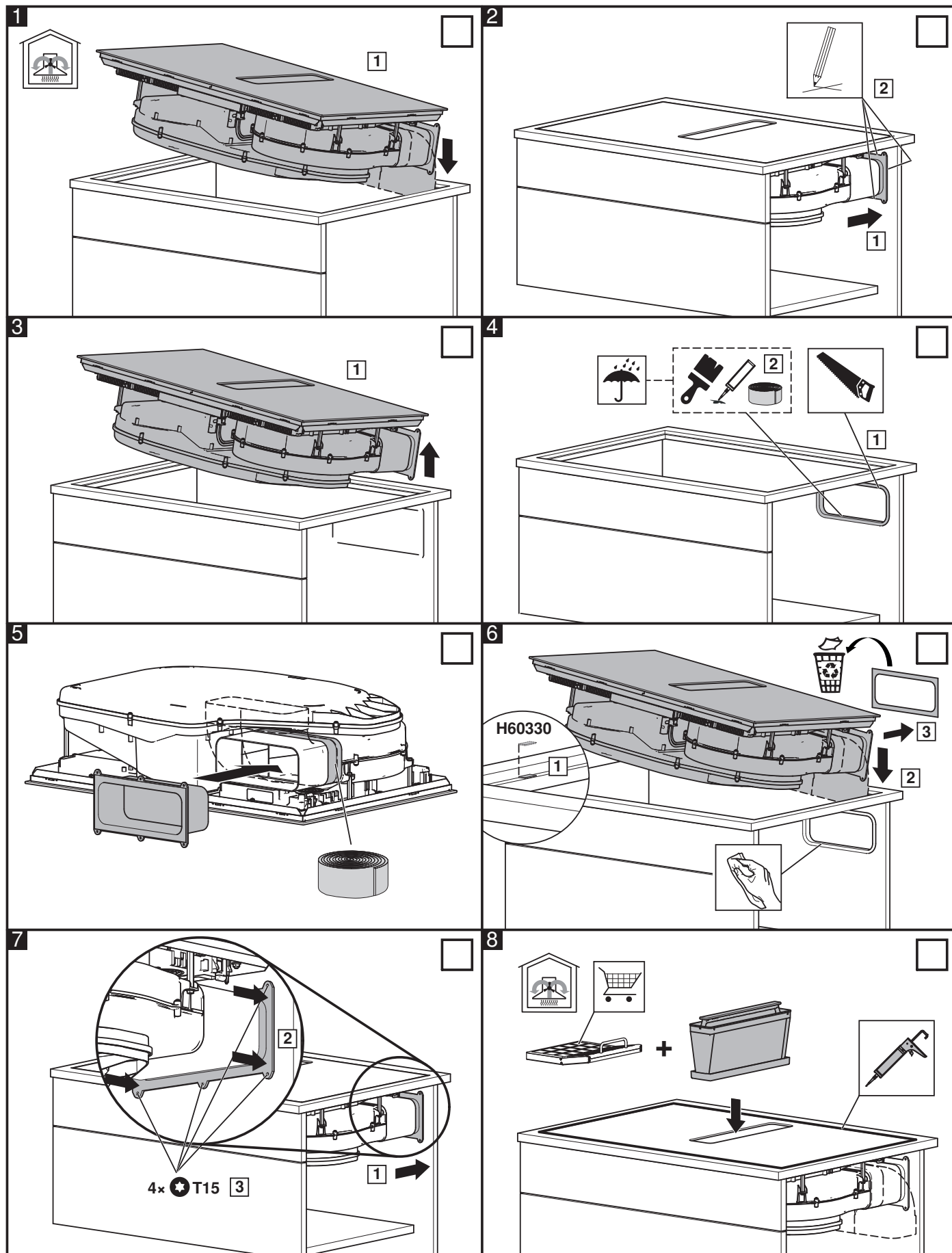
- ▶ Create an accurate installation cut-out.
 - The mounting surface can be reamed out or created by installing wood/stone supports or using the steel angle set (see Accessories).

 **Access to the appliance from below via the entire cut-out area must be guaranteed. For servicing purposes, the induction generator can be removed from below with the mounting plate. It must be possible to unscrew the contact-proof covers from below.**

- ▶ Prepare the cut-out and appliance in accordance with the specifications in the enclosed cementing-in instructions.
- ▶ Carefully cement the appliance in and leave the silicone sealant to dry for at least 24 hours.
- ▶ Connect to the electrical mains connection before inserting the appliance, if necessary.

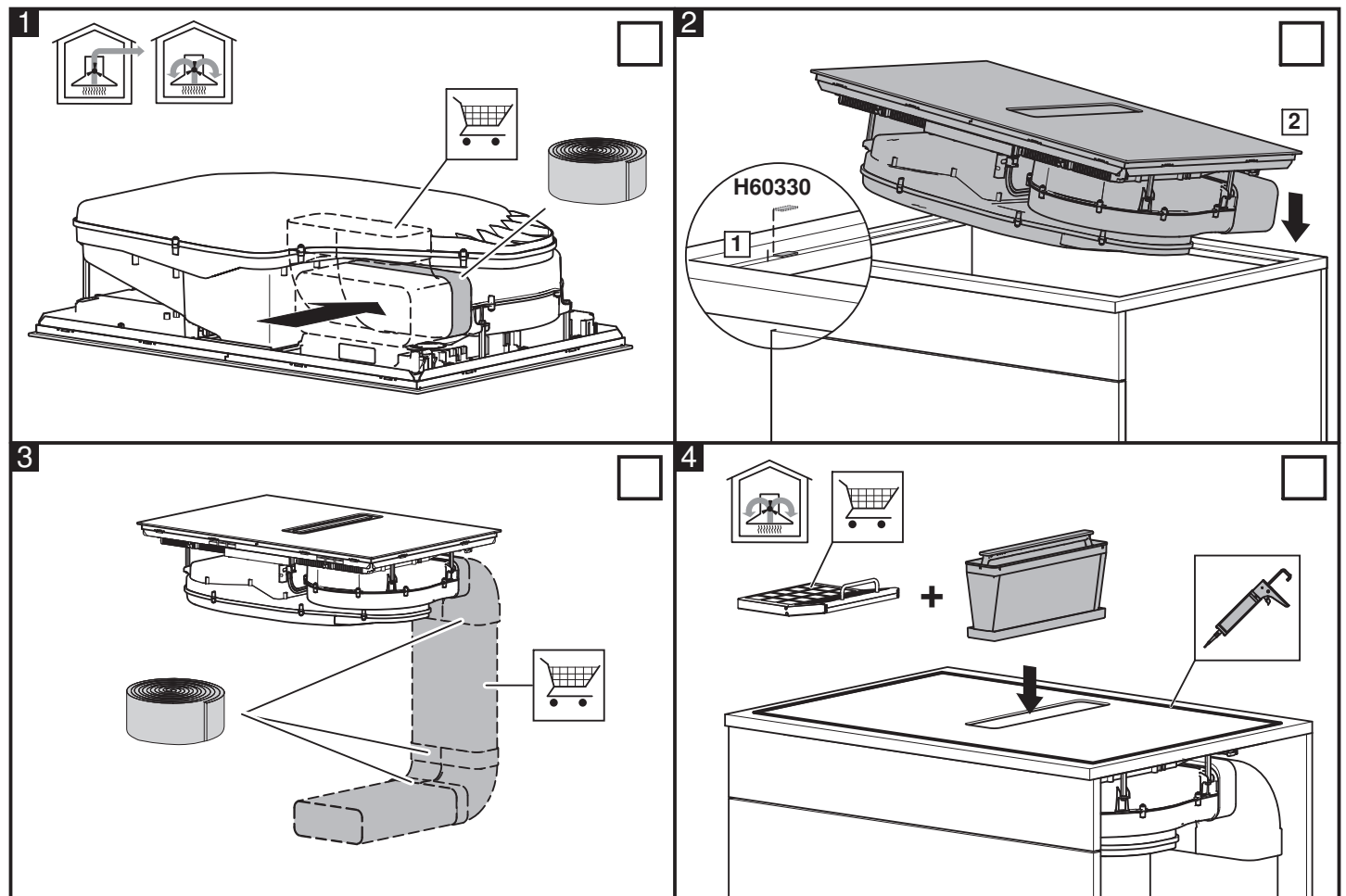


Installation for recirculation operation





Installation for extraction or recirculation operation with flat channel system



- ▶ All connection components must be cleaned and then completely sealed using aluminium tape H42067.
- ▶ Connect the appliance to the power supply using the mains cable and follow the operating instructions for using for the first time.
- ▶ Check the range hood and exhaust ducting for tightness and noise.

Installation instructions

Induction hob with integrated range hood
CombiCookTop V2000/V4000 I804



1148540-04

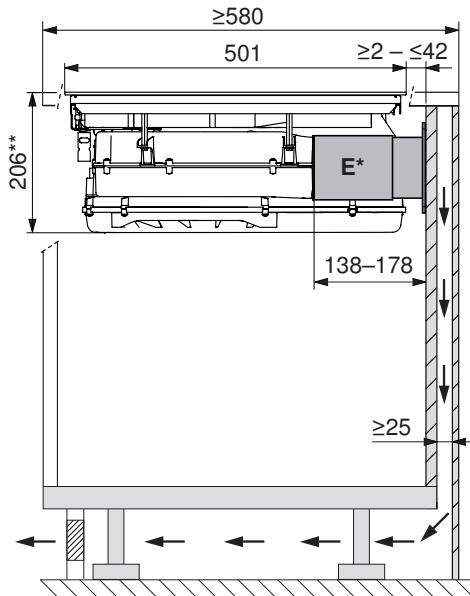
24/02/2023

Installation overview base unit

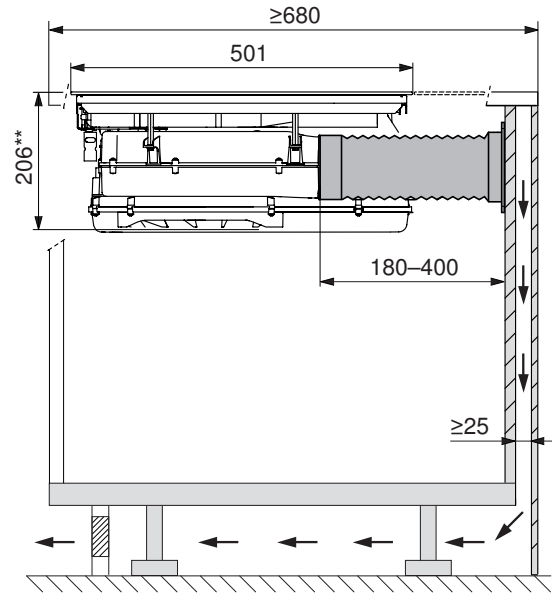


Observe local regulations on pipework RF1 (metal) and RF3 (plastic)!

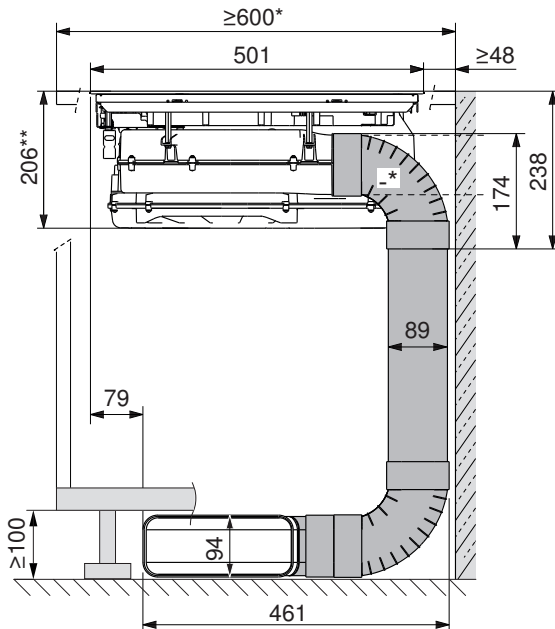
Recirculation operation, unguided, with telescopic connection (E*)



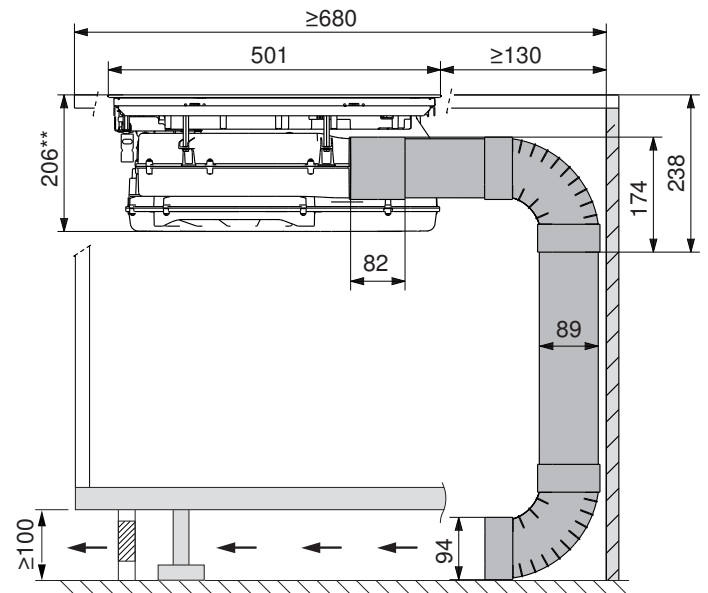
Recirculation operation, unguided, long



Extraction or recirculation operation with flat channel system




Extraction or recirculation operation with flat channel system, extra deep



* = Other min. dimensions when using the 90° metal elbow air duct

** = Flush installation (surface-mounted installation: 202 mm)

 Flat channels, elbow variants and transition pieces are not included in the scope of delivery, but are available for order as accessories. The individual components required must be taken into account during planning.

Information on total exhaust air length possible

Installation instructions

Induction hob with integrated range hood
CombiCookTop V2000/V4000 I804



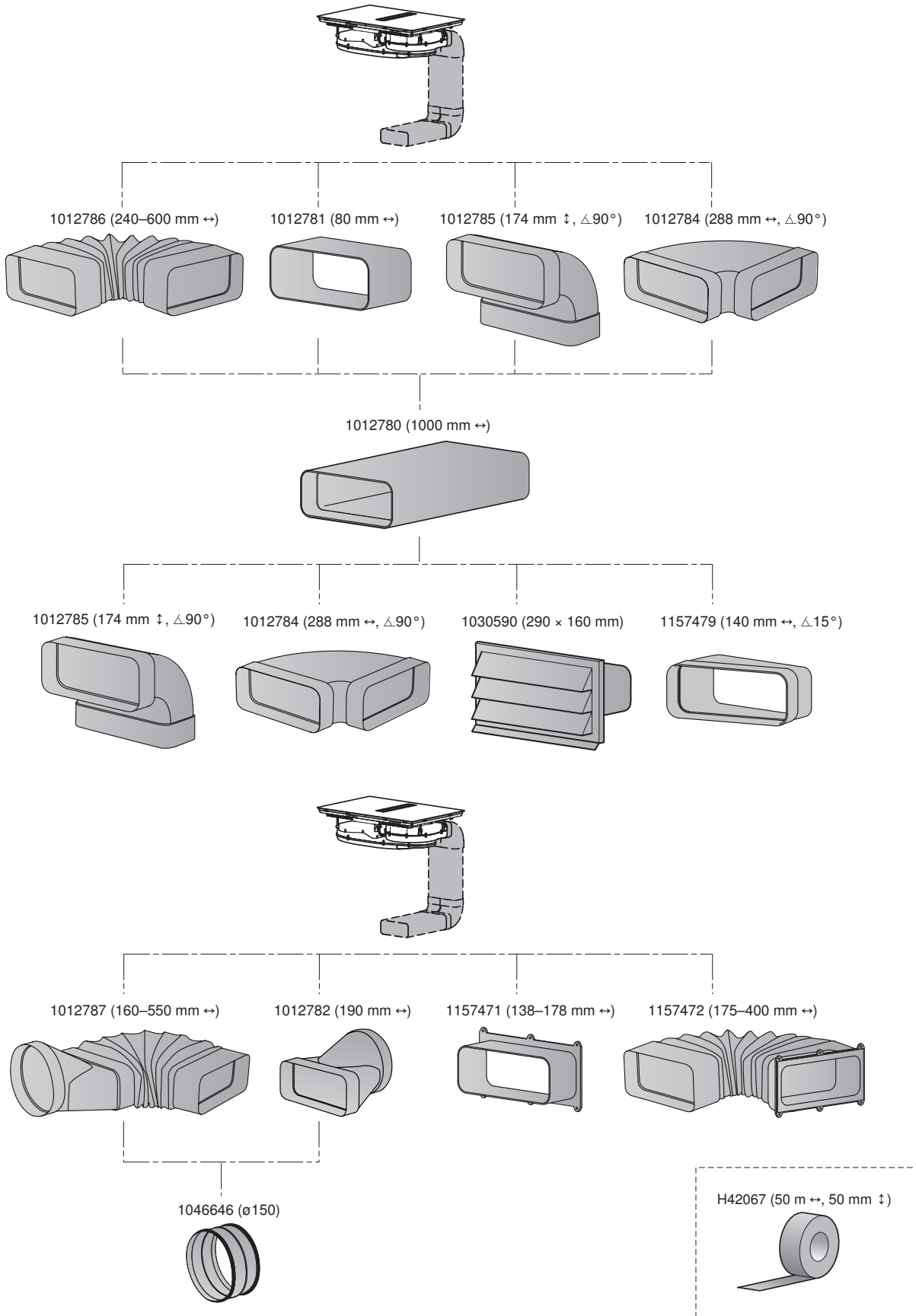
1148540-04

24/02/2023

Flat channel systems made of plastic (RF3)

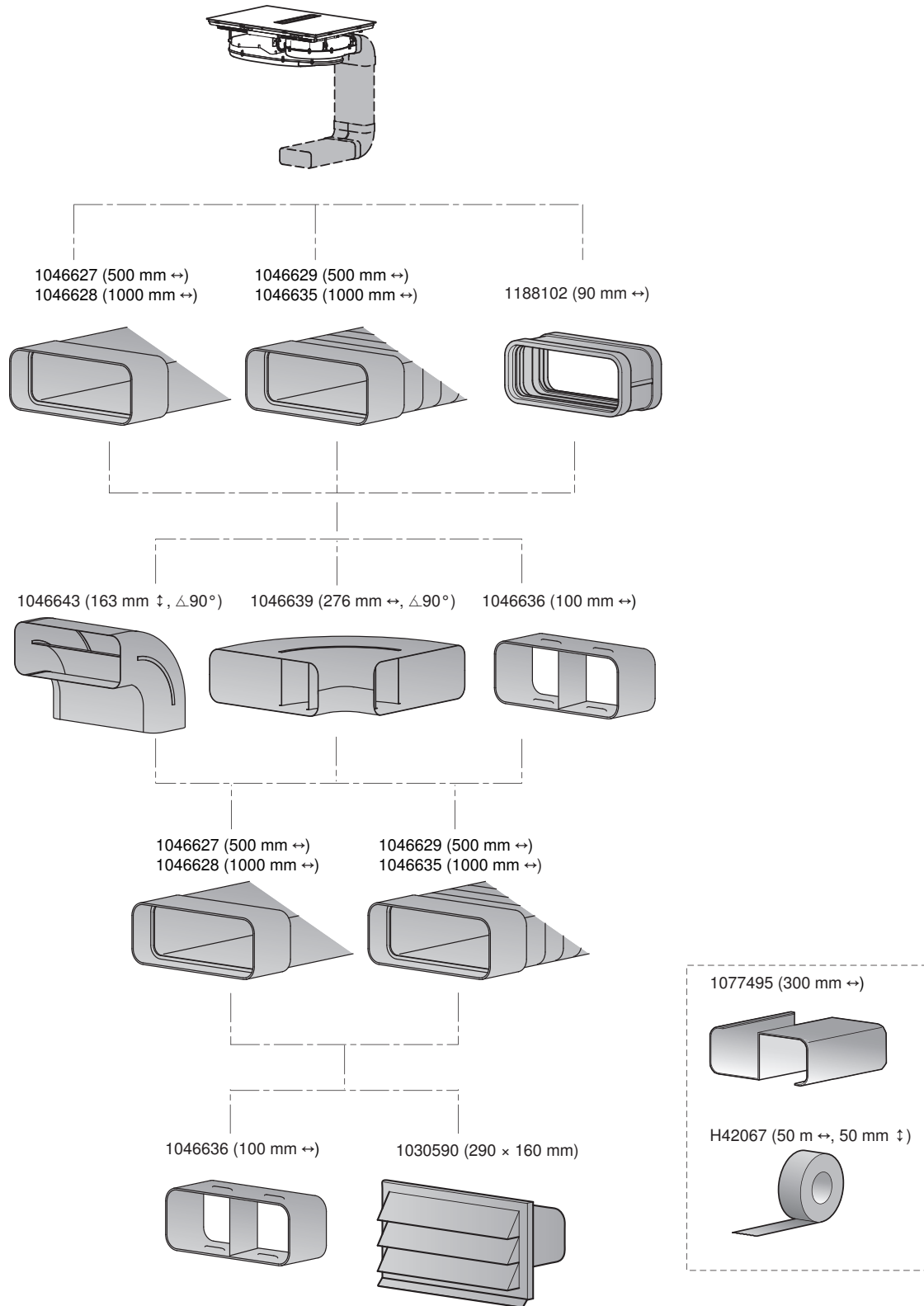


Plastic accessories are not made of non-flammable material.





Flat channel systems made of metal (RF1)



The duct spacers 1077495 prevent the narrowing or compression of the air duct. Hence the use of duct spacers is necessary if accessory 1046627/1046628 is embedded in concrete.