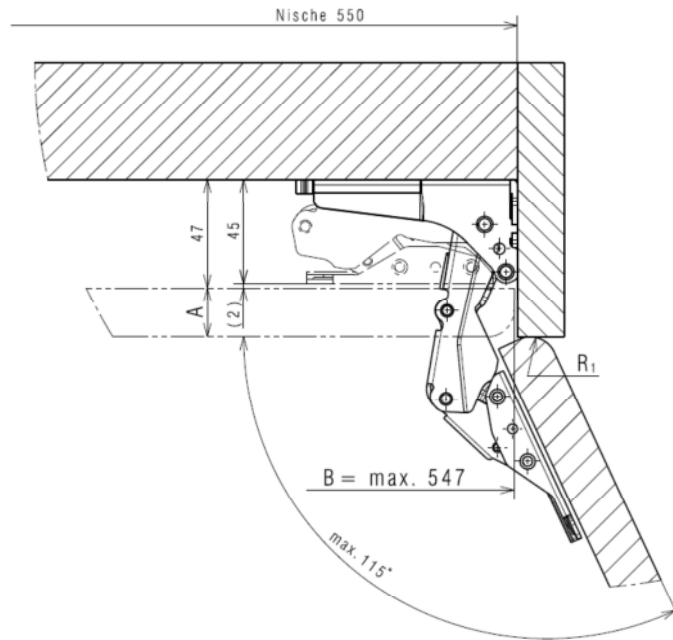




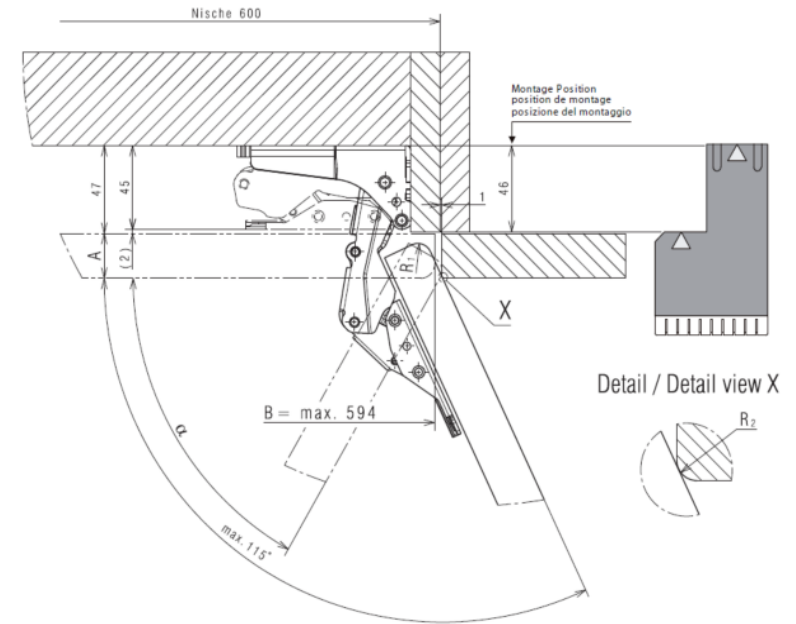
- DE Maximales Frontdoppel-Gewicht 17.5kg. Bei Türblattstärke über (SMS 19mm, Euro 22mm) beiliegenden Scharnierbolzen verwenden, Der Oeffnungswinkel wird dadurch auf 90° bechränkt.
- FR Poids max. de double-porte 17.5kg, Si l'epaisseur de l'ouvrant est superieure a 19 mm, il faut utiliser les demi-charnieres males jointes.L'angle d'ouverture est ainsi limite a 90°.
- IT Peso massimo della doppia porta 17.5kg. Per pannelli con spessore superiore a 19 mm occorre utilizzare i perni per cerniere forniti in dotazione.In tal modo l'angolo di apertura e limitato a 90°.
- EN Max. weight of the wooden door 17.5kg. For door panel thickness greater than 19 mm, use hinge bolts supplied. This restricts the opening radius to a maximum of 90°.

SMS 55



| SMS 55 | | | | | | |
|--------|--------------|--------|------|------|------|------|
| A [mm] | min. R1 [mm] | B [mm] | | | | |
| | | 547 | 546 | 545 | 544 | 543 |
| 16 | 16 | 0 | 0 | 0 | 0 | 0 |
| | 17 | 0 | 0 | 0 | 0 | 0 |
| | 18 | 0 | 0 | 0 | 0 | 0 |
| | 19 | 2.7 | 1.3 | 0 | 0 | 0 |
| | 20 | 7 | 5.6 | 4.2 | 2.9 | 1.5 |
| | 21 | 11.3 | 9.9 | 8.6 | 7.2 | 5.8 |
| | 22 | 15.6 | 14.3 | 12.9 | 11.5 | 10.1 |
| | 23 | 20 | 18.6 | 17.2 | 15.8 | 14.5 |
| | 24 | 24.3 | 22.9 | 21.5 | 20.2 | 18.8 |

EURO 60



| Euro 60 - Wandstärke Nische 16mm | | | | | | |
|----------------------------------|--------------|--------|-----|-----|-----|-----|
| A [mm] | min. R1 [mm] | B [mm] | | | | |
| | | 594 | 593 | 592 | 591 | 590 |
| 16 | 16 | 0 | 0 | 0 | 0 | 0 |
| | 17 | 0 | 0 | 0 | 0 | 0 |
| | 18 | 0 | 0 | 0 | 0 | 0 |
| | 19 | 0 | 0 | 0 | 0 | 0 |
| | 20 | 0 | 0 | 0 | 0 | 0 |
| | 21 | 0.4 | 0 | 0 | 0 | 0 |
| | 22 | 2.6 | 2 | 1.3 | 0.7 | 0 |
| | 23 | 5 | 4.4 | 3.8 | 3.2 | 2.6 |
| | 24 | 7.5 | 7 | 6.5 | 6 | 5.5 |